

THIS DRAWING IS UNPUBLISHED.

RELEASED FOR PUBLICATION

2009

© COPYRIGHT 2009-2013

ALL RIGHTS RESERVED.

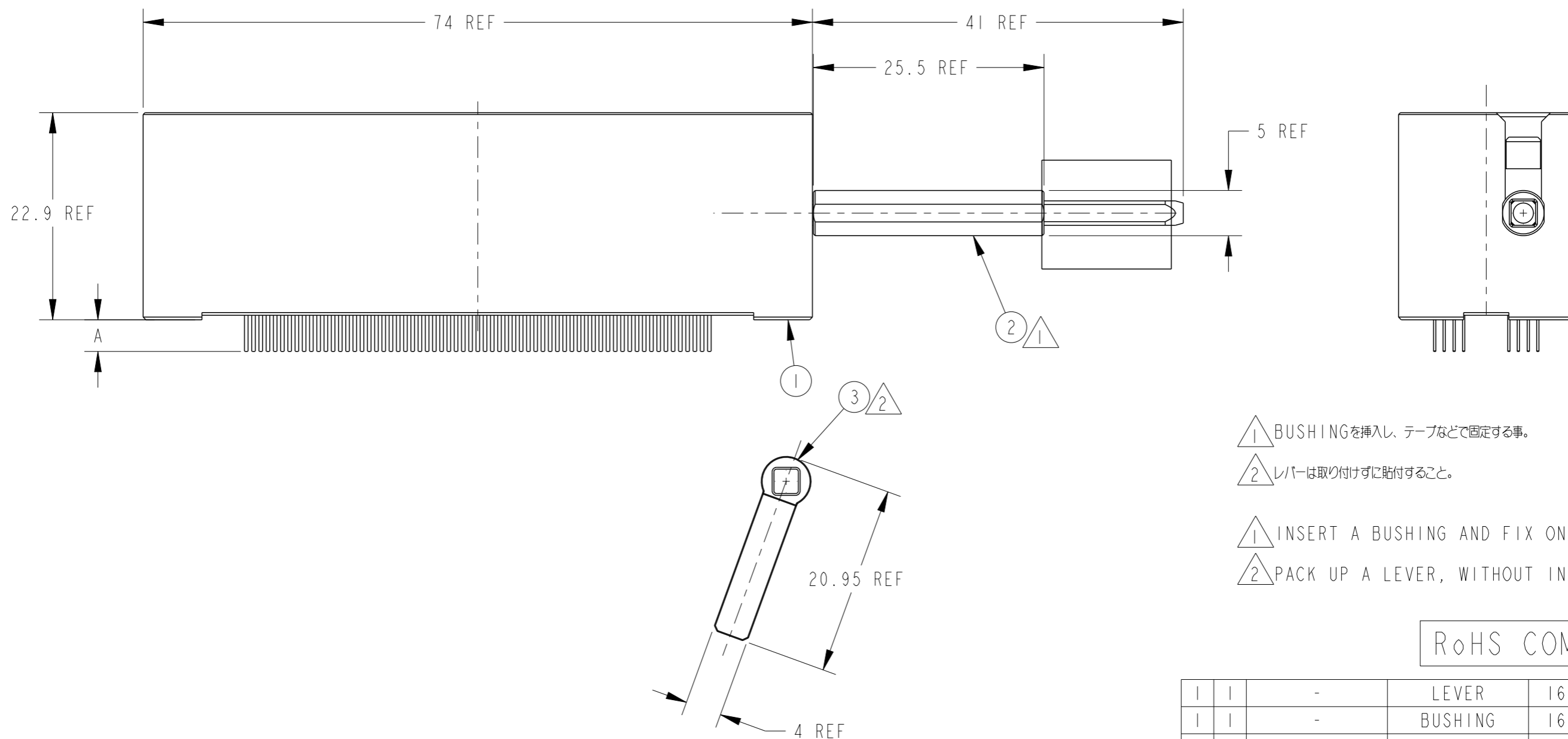
LOC  
J

DIST  
-

REVISIONS

P	LTR	DESCRIPTION	DATE	DWN	APVD
	C2	REVISED	06MAR2009	S. N	M. K
	D	REVISED	24JUL2009	T. K	M. K
	E	REVISED	10JUN2013	T. K	M. K


-1, -3: AS SHOWN  
本図



- △1 BUSHINGを挿入し、テープなどで固定する事。
- △2 レバーは取り付けずに貼付すること。
- △1 INSERT A BUSHING AND FIX ON A TAPE etc.
- △2 PACK UP A LEVER, WITHOUT INSERTING.

RoHS COMPLIANT

QTY	UNIT	DESCRIPTION	PART NUMBER	ITEM
1	1	LEVER	1674569-1	3
1	1	BUSHING	1674568-1	2
1	-	2.5 REF	REC ASSEMBLY	6565204-3
-	1	3.5 REF	REC ASSEMBLY	6565204-1
-3	-1	DIMENSION "A"	DESCRIPTION	PART NUMBER

THIS DRAWING IS A CONTROLLED DOCUMENT.		DWN T. KANNO 5MAR2007	 TE Connectivity	
DIMENSIONS: mm		CHK M. KIMURA 5MAR2007		
TOLERANCES UNLESS OTHERWISE SPECIFIED:		APVD M. Kimura 5MAR2007	NAME TC ZIF CONNECTOR REC ASSY KIT	
0 PLC ±-		PRODUCT SPEC 108-5771	SIZE A3	
1 PLC ±-		APPLICATION SPEC 114-5505	CAGE CODE C-6674720	
2 PLC ±-		WEIGHT 88.8g	DRAWING NO C-6674720	
3 PLC ±-		MATERIAL SEE TABLE	RESTRICTED TO	
4 PLC ±-			SCALE 2:1	
ANGLES ±-		SHEET 1 OF 2		
FINISH SEE TABLE		REV E		
CUSTOMER DRAWING				

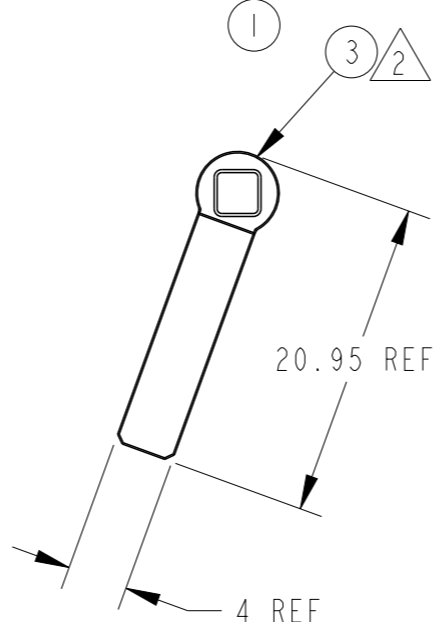
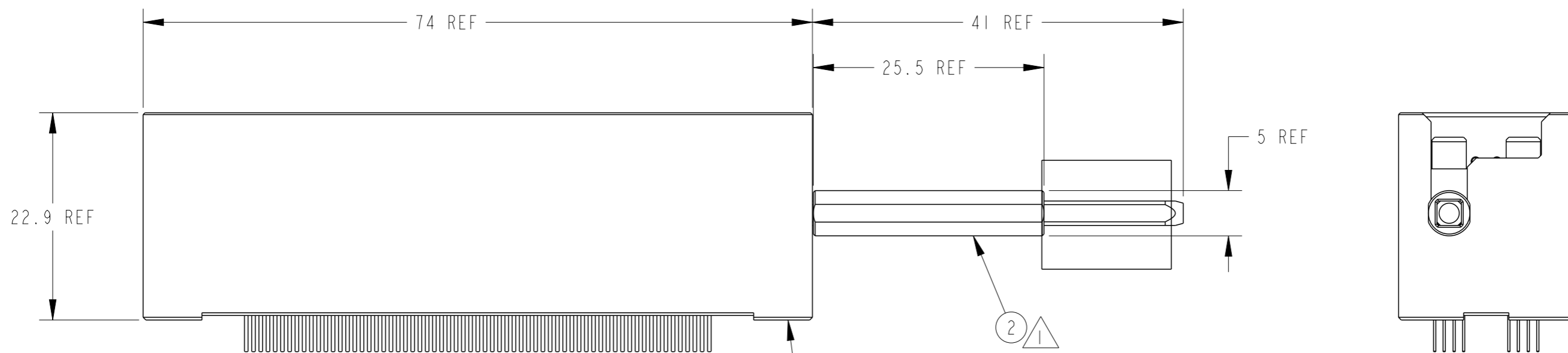
LOC  
J

DIST  
-

REVISIONS

P	LTR	DESCRIPTION	DATE	DWN	APVD
	-	SEE SHEET 1	-	-	-

-2: AS SHOWN  
本図



THIS PRINT IS  
**PRELIMINARY**  
UNQUALIFIED PRODUCT  
CONTACT PRODUCT ENGINEERING  
BEFORE USING THIS PRINT

- ① BUSHINGを挿入し、テープなどで固定する事。
- ② レバーは取り付けずに貼付すること。
- ① INSERT A BUSHING AND FIX ON A TAPE etc.
- ② PACK UP A LEVER, WITHOUT INSERTING.

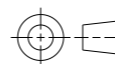
PRELIMINARY

RoHS COMPLIANT

QTY	DESCRIPTION	PART NUMBER	ITEM
1	LEVER	1674569-1	3
1	BUSHING	1674568-1	2
1	REC ASSY REVERSE	2040757-1	1

THIS DRAWING IS A CONTROLLED DOCUMENT.

DIMENSIONS:  
mm



TOLERANCES UNLESS OTHERWISE SPECIFIED:

0 PLC	±-
1 PLC	±-
2 PLC	±-
3 PLC	±-
4 PLC	±-
ANGLES	±-
FINISH	-

MATERIAL

-

FINISH

-

DWN 28AUG2008

S. Nakagawa

CHK 28AUG2008

M. KIMURA

APVD 28AUG2008

M. Kimura

PRODUCT SPEC

108-5771

APPLICATION SPEC

-

WEIGHT

88g

CUSTOMER DRAWING

**STE** TE Connectivity

TC ZIF CONNECTOR  
REC ASSY KIT

SIZE	CAGE CODE	DRAWING NO	RESTRICTED TO
A3		C-6674720	

SCALE 2:1 SHEET 2 OF 2 REV E