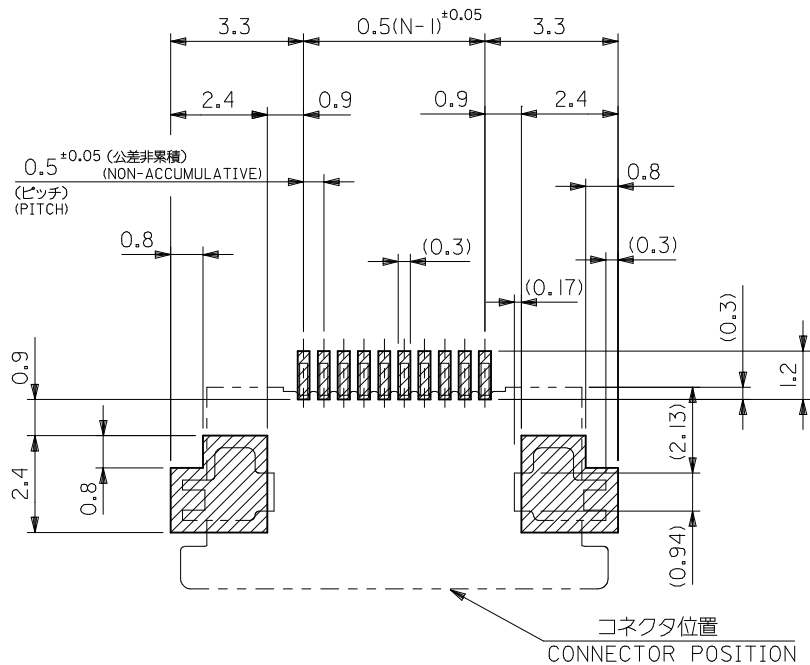


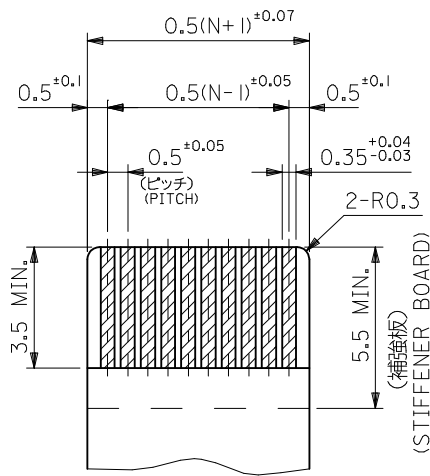
30.5	29.3	25.65	24.5	54132-5097	54132-5039	50
28.0	26.8	23.15	22.0	△ -4597	△ -4539	45
27.0	25.8	22.15	21.0	△ -4397	△ -4339	43
25.5	24.3	20.65	19.5	△ -4097	△ -4039	40
24.5	23.3	19.65	18.5	△ -3897	△ -3839	38
23.5	22.3	18.65	17.5	△ -3697	△ -3639	36
23.0	21.8	18.15	17.0	△ -3597	△ -3539	35
22.5	21.3	17.65	16.5	△ -3497	△ -3439	34
22.0	20.8	17.15	16.0	△ -3397	△ -3339	33
21.5	20.3	16.65	15.5	△ -3297	△ -3239	32
20.5	19.3	15.65	14.5	54132-3097	54132-3039	30
D	C	B	A	EMBOSSED TAPE ORDER No. オート番号	MATERIAL. NO.	CKT.

REVISED EC NO: J2008-4308 DRWN: MABEI 2008/06/27 CHKD: THARUYAMA 2008/06/30 APPR: NUKITA 2008/06/30	GENERAL TOLERANCES (UNLESS SPECIFIED)		DIMENSION STYLE MM ONLY		SCALE ---	54132-***39	MODEL NO.
	10 UNDER ±0.2		DRAWN BY M. NABEI DATE '03/12/15		TITLE	THIRD ANGLE PROJECTION	
	10 OVER 30 UNDER ±0.25		CHECKED BY M. SASAO DATE '03/12/15		0.5 FPC CONN ZIF HOUSING ASSY FOR SMT -LEAD FREE-		
	30 OVER ±0.3		APPROVED BY M. SASAO DATE '03/12/15		MOLEX INCORPORATED		
DESCRIPTION	ANGULAR ±3 °		MATERIAL NO.		DOCUMENT NO.	SHEET NO.	
REV	DRAFT WHERE APPLICABLE MUST REMAIN WITHIN DIMENSIONS		SEE TABLE		SD-54132-060		1 OF 2
SIZE A3		THIS DRAWING CONTAINS INFORMATION THAT IS PROPRIETARY TO MOLEX INCORPORATED AND SHOULD NOT BE USED WITHOUT WRITTEN PERMISSION					



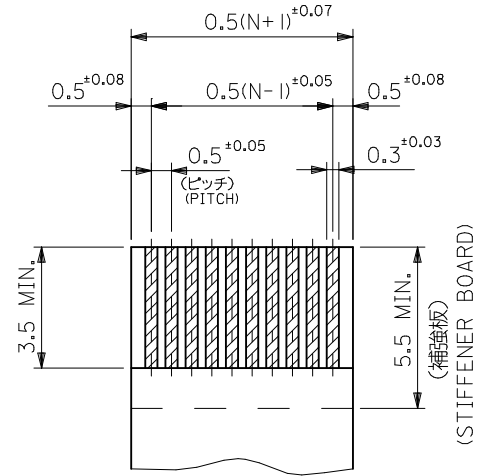
参考基板レイアウト  
RECOMMENDED PC BOARD PATTERN DIMENSION(REF.)

(マウント面)  
(MOUNTING SIDE)



適合FPC推奨寸法  
APPLICABLE FPC RECOMMENDED DIMENSION

(仕上がり厚さ: 0.3<sup>+0.03</sup>)  
(THICKNESS: 0.3<sup>+0.03</sup>)



適合FFC推奨寸法  
APPLICABLE FFC RECOMMENDED DIMENSION

(仕上がり厚さ: 0.3<sup>+0.03</sup>)  
(THICKNESS: 0.3<sup>+0.03</sup>)

注記  
NOTES

1. 使用材料  
MATERIAL : 46ナイロン, UL94V-0  
HOUSING : 46NYLON  
アクチュエーター  
ACTUATOR : PPS, UL94V-0  
ターミナル : リン青銅 (t=0.2), 鍍・ピスマスメッキ 1.0~3.0 MICRO METER MIN.  
ニッケル下地 1.0~3.0 MICRO METER MIN.  
TERMINAL : PHOS-BRO, TIN-BISMUTH-PLATE 1.0~3.0 MICRO METER MIN.  
OVER NICKEL 1.0~3.0 MICRO METER MIN.  
金具 : リン青銅 (t=0.2), 鍍メッキ 1.0~3.0 MICRO METER MIN.  
ニッケル下地 1.0~3.0 MICRO METER MIN.  
FITTING NAIL : PHOS-BRO, TIN-PLATE 1.0~3.0 MICRO METER MIN.  
OVER NICKEL 1.0~3.0 MICRO METER MIN.

2. エンボステープ梱包時は、アクチュエーターがロックした状態とする。  
IN THE PACKAGE, ACTUATOR OF PART NO.54132-\*\*\*31 SHOULD BE LOCKED.
3. ソルダーテール半田付け面のスレ量、及び金具半田付け面のスレ量は、基準面 田 に対し上方向0.1MAX、下方向0.15MAXとする。  
MISALIGNMENT OF SOLDER TAILS AND FITTING NAIL FROM UPPER DIRECTION: 0.1 MAX., LOWER DIRECTION: 0.15 MAX.
4. 偶数個に適用  
APPLY FOR EVEN CIRCUIT.
5. パターンはくり止め用金具  
FITTING NAIL FOR PREVENTION OF PEELING OF P.C.B. PATTERN.
6. 本製品は54132-\*\*\*31の鉛フリー品である。  
THIS PRODUCT IS LEAD FREE OF 54132-\*\*\*31

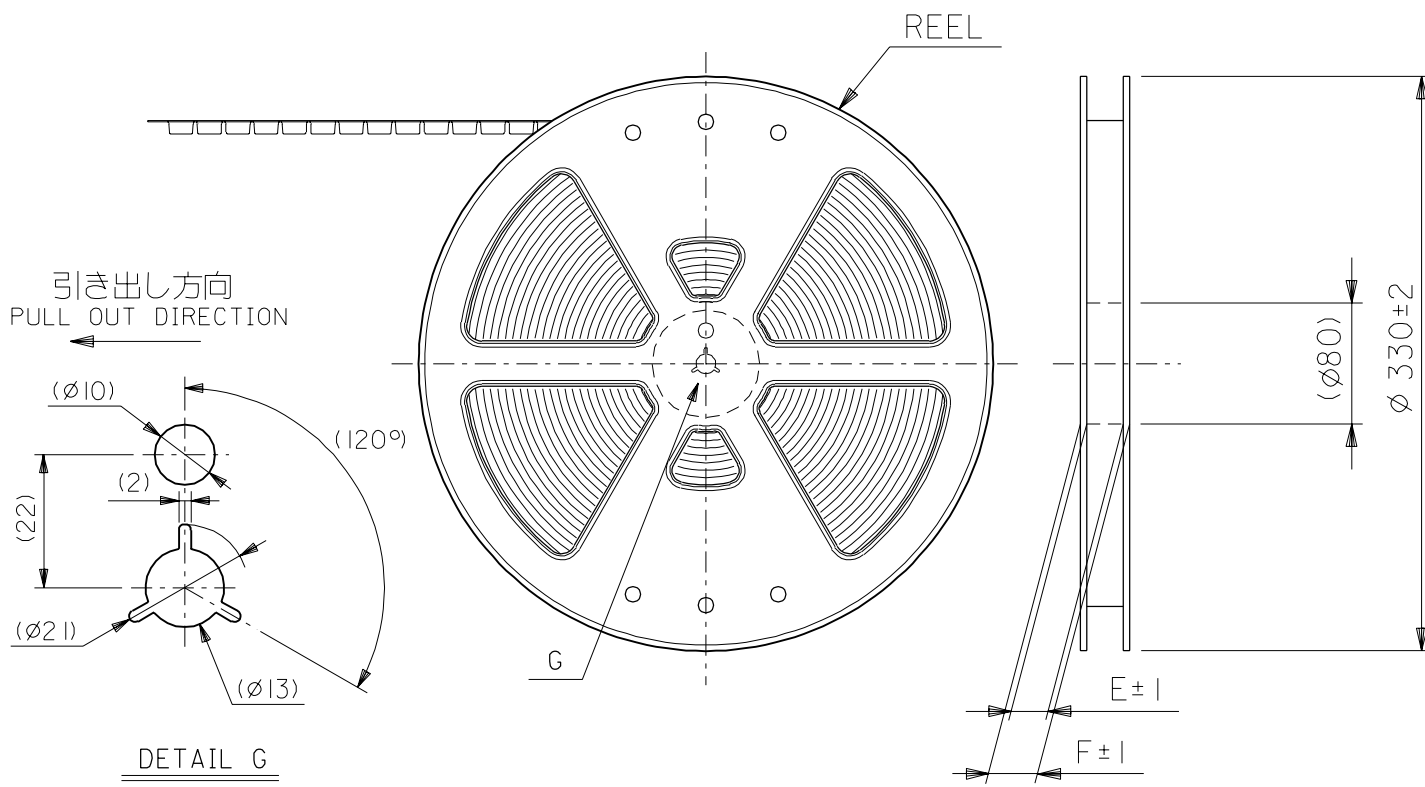
FPC/FFCについて

打抜き方向は導体側から補強板側を推奨いたします。  
導体部については軟銅箔35マイクロメートルまたは50マイクロメートル  
RECOMMENDED PUNCHER DIRECTION:  
FROM CONDUCTOR SIDE TO STIFFENER BOARD SIDE.  
RECOMMENDED CONDUCTOR SPEC.:  
THICKNESS OF SOFT COPPER FOIL:  
35 micrometer or 50 micrometer

54132-\*\*\*39 MODEL NO.

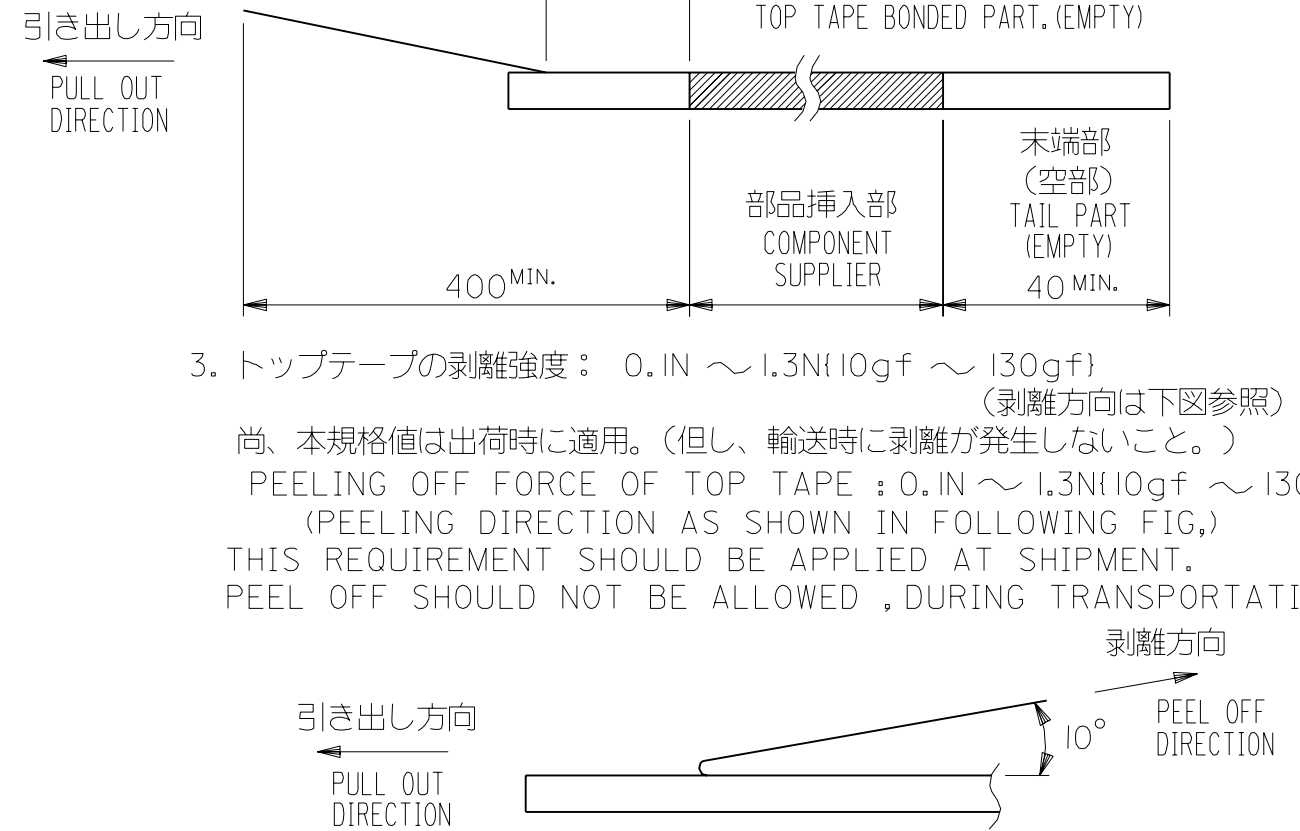
REVISED EC NO.: J2008-4308 DRWN: MABEI 2008/06/17 CHKD: THARUYAMA 2008/06/30 APPR: NUKITA 2008/06/30	GENERAL TOLERANCES (UNLESS SPECIFIED)		DIMENSION STYLE MM ONLY		SCALE ---	DESIGN UNITS METRIC	THIRD ANGLE PROJECTION
	10 UNDER	±0.2	DRAWN BY M. NABEI	DATE '03/12/15	TITLE 0.5 FPC CONN ZIF HOUSING ASSY FOR SMT -LEAD FREE-		
	10 OVER 30 UNDER	±0.25	CHECKED BY M. SASAO	DATE '03/12/15	MOLEX MOLEX INCORPORATED		
	30 OVER	±0.3	APPROVED BY M. SASAO	DATE '03/12/15	DOCUMENT NO. SD-54132-060		
	ANGULAR ±3 °	DRAFT WHERE APPLICABLE MUST REMAIN WITHIN DIMENSIONS		MATERIAL NO. SEE SHEET 1		SHEET NO. 2 OF 2	
		THIS DRAWING CONTAINS INFORMATION THAT IS PROPRIETARY TO MOLEX INCORPORATED AND SHOULD NOT BE USED WITHOUT WRITTEN PERMISSION					

DWG. NO. SD-54132-061



NOTES

- 梱包数量：1500個/リール  
NUMBER OF CONNECTORS : 1500PCS/REEL
- リードテープ長さ LEAD TAPE LENGTH  
20PCS. MIN. トップテープ接着部 (空エンボス)  
TOP TAPE BONDED PART. (EMPTY)  
部品挿入部 COMPONENT SUPPLIER  
末端部 (空部) TAIL PART (EMPTY)  
400 MIN. 40 MIN.
- トップテープの剥離強度： 0.1N ~ 1.3N (10gf ~ 130gf)  
(剥離方向は下図参照)  
尚、本規格値は出荷時に適用。(但し、輸送時に剥離が発生しないこと。)  
PEELING OFF FORCE OF TOP TAPE : 0.1N ~ 1.3N (10gf ~ 130gf)  
(PEELING DIRECTION AS SHOWN IN FOLLOWING FIG.)  
THIS REQUIREMENT SHOULD BE APPLIED AT SHIPMENT.  
PEEL OFF SHOULD NOT BE ALLOWED , DURING TRANSPORTATION.



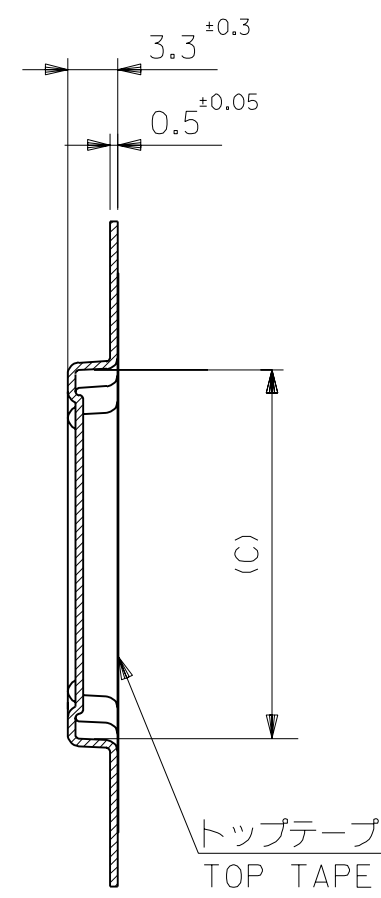
- 材料  
キャリアテープ：ポリプロピレン (PP)  
トップテープ：PET, PE, PEF  
リール：ポリスチレン (PS) <リサイクル材を含む>  
MATERIAL CARRIER TAPE: POLYPROPYLENE  
TOP TAPE: PET, PE, PEF  
REEL: POLYSTYRENE (PS)  
<RECYCLE MATERIAL CONTAINED>

6. 本製品は54132-\*\*-92の鉛フリー品である。  
THIS PRODUCT IS LEAD FREE OF 54132-\*\*-92

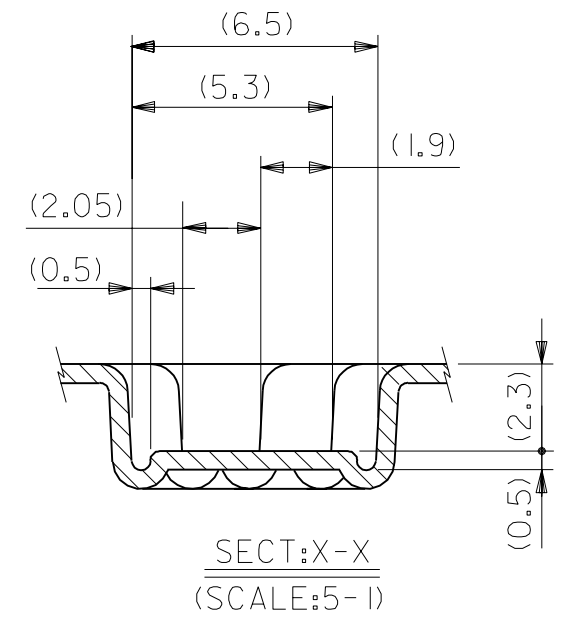
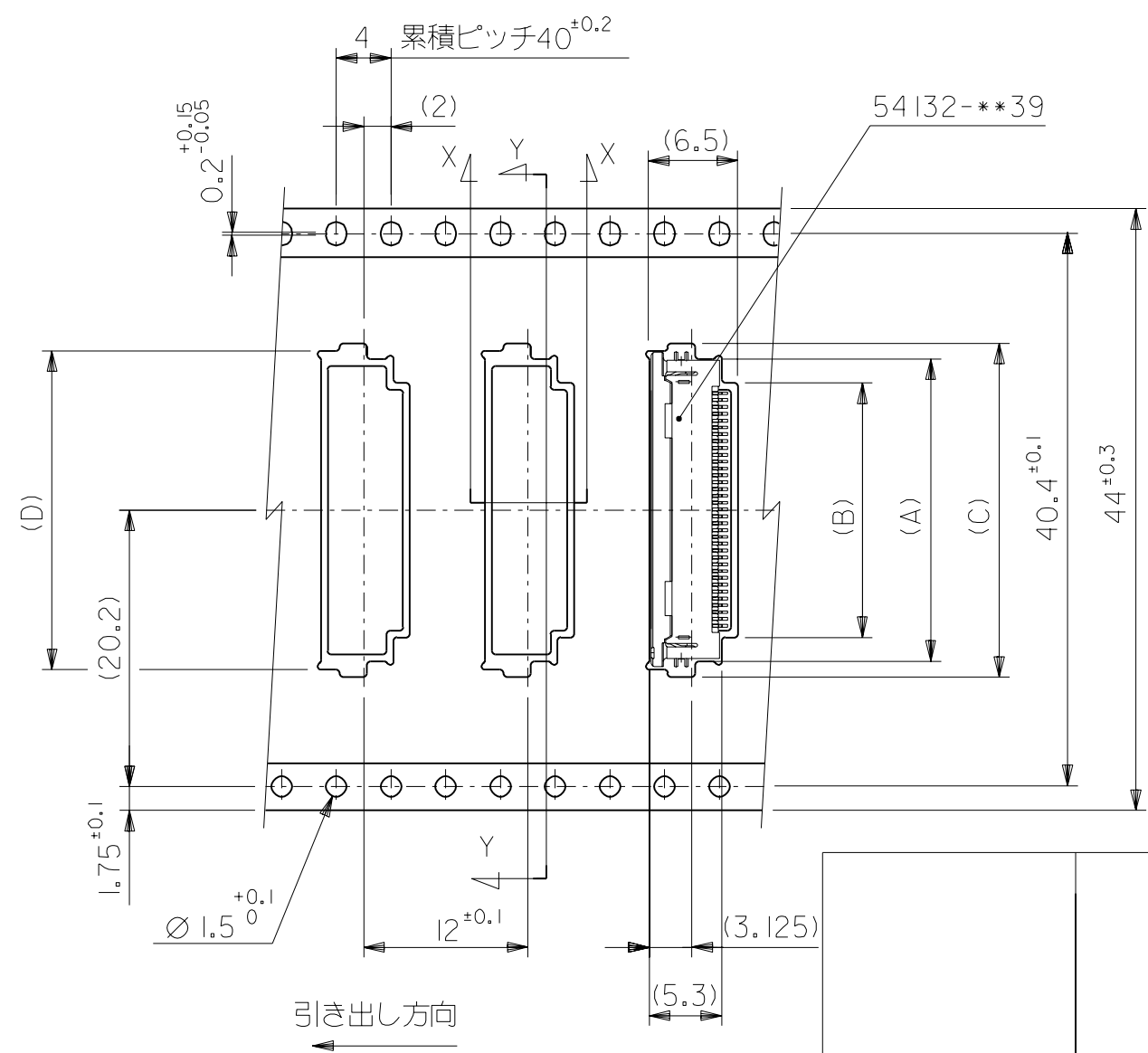
DO NOT SCALE DRAWING

EC NO. DRWN: CHK: APPR:		EC NO. DRWN: CHK: APPR:		EC NO. DRWN: CHK: APPR:		REVISED EC NO. J2004-2790 DRWN: H. SHIMABUKURO '04/3/2 CHK: K. TOJO '04/3/2 APPR: M. SASAO '04/3/2		RELEASED EC NO. J2004-1538 DRWN: M. NABEI '03/12/15 CHK: M. SASAO '03/12/15 APPR: M. SASAO '03/12/15		MATERIAL 材料 注記参照 SEE NOTES		GENERAL TOLERANCES: (UNLESS SPECIFIED) 一般公差		SCALE //		DESIGN UNITS <input checked="" type="checkbox"/> mm <input type="checkbox"/> INCH		THIRD ANGLE PROJECTION <input checked="" type="checkbox"/> <input type="checkbox"/>		54132-**-97 MODEL NO.		DIMENSIONS: <input type="checkbox"/> mm <input type="checkbox"/> INCH <input checked="" type="checkbox"/> mm ONLY		SHT REV									
A		O		FINISH 仕上げ //		WIRE RANGE 適用電線範囲 //		INS. RANGE 被覆外径 //		10 UNDER 未満 ±0.2		10 OVER 以上 30 UNDER 未満 ±0.25		30 OVER 以上 ±0.3		ANGLE 角度 ±3°		DRAWN BY & DATE M. NABEI '03/12/15		CHECKED BY & DATE M. SASAO '03/12/15		APPROVED BY & DATE M. SASAO '03/12/15		CAD FILENAME SD-54132-061.S01		TITLE: EMBOSSED TAPE PACKAGE FOR 0.5 FPC CONN. ZIF -LEAD FREE-		MATERIAL NO. SEE CHART		DRAWING NO. SD-54132-061		SHEET NO. 1 OF 2	
THIS DRAWING CONTAINS INFORMATION THAT IS PROPRIETARY TO MOLEX INCORPORATED AND SHOULD NOT BE USED WITHOUT WRITTEN PERMISSION.																						SIZE B											

DWG. NO.  
SD-54132-061



SECT:Y-Y



44	49.4	45.4	30.8	31.6	26.1	29.6	54132-5097	50
			28.3	29.4	23.6	27.1	-4597	45
			27.3	28.4	22.6	26.1	-4397	43
			25.8	26.9	21.1	24.6	-4097	40
			24.8	25.9	20.1	23.6	-3897	38
			23.8	24.9	19.1	22.6	-3697	36
			23.3	24.4	18.6	22.1	-3597	35
			22.8	23.9	18.1	21.6	-3497	34
			22.3	23.4	17.6	21.1	-3397	33
			21.8	22.9	17.1	20.6	-3297	32
20.8	21.9	16.1	19.6	54132-3097	30			
キャリアテープ幅 CARRIER TAPE WIDTH	F	E	D	C	B	A	ENG. NO.	CKT.

DO NOT SCALE DRAWING

EC NO. DRWN: CHK: APPR:	EC NO. DRWN: CHK: APPR:	EC NO. DRWN: CHK: APPR:	REVISED EC NO. J2004-2790 DRWN: H. SHIMABUKURO '04/32 CHK: M. SASAO '04/32 APPR: M. SASAO '04/32	RELEASED EC NO. J2004-1538 DRWN: M. NABEI '03/12/15 CHK: M. SASAO '03/12/15 APPR: M. SASAO '03/12/15	DESCRIPTION MATERIAL 材料 FINISH 仕上げ WIRE RANGE 適用電線範囲 INS. RANGE 被覆外径
			A	O	SHEET 1 OF 2 参照 REFER TO SHEET 1 OF 2

GENERAL TOLERANCES: (UNLESS SPECIFIED) 一般公差	SCALE 1:1	DESIGN UNITS <input checked="" type="checkbox"/> mm <input type="checkbox"/> INCH	MODEL NO. 54132-***97	DIMENSIONS: <input type="checkbox"/> mm <input type="checkbox"/> INCH <input checked="" type="checkbox"/> mm ONLY	SHT 50	REV 45
10 UNDER 未満 ±0.2	DRAWN BY & DATE M. NABEI '03/12/15		TITLE: EMBOSSED TAPE PACKAGE FOR 0.5 FPC CONN. ZIF -LEAD FREE-			
10 OVER 以上 30 UNDER 未満 ±0.25	CHECKED BY & DATE M. SASAO '03/12/15		MOLEX INCORPORATED			
30 OVER 以上 ±0.3	APPROVED BY & DATE M. SASAO '03/12/15		MATERIAL NO. SEE CHART	DRAWING NO. SD-54132-061	SHEET NO. 2 OF 2	
ANGLE 角度 ±3°	CAD FILENAME SD-54132-061.S02		THIS DRAWING CONTAINS INFORMATION THAT IS PROPRIETARY TO MOLEX INCORPORATED AND SHOULD NOT BE USED WITHOUT WRITTEN PERMISSION.			

MATERIAL NO. SEE CHART		DRAWING NO. SD-54132-061	SHEET NO. 2 OF 2
SIZE B			

SD-54132-061.S02