

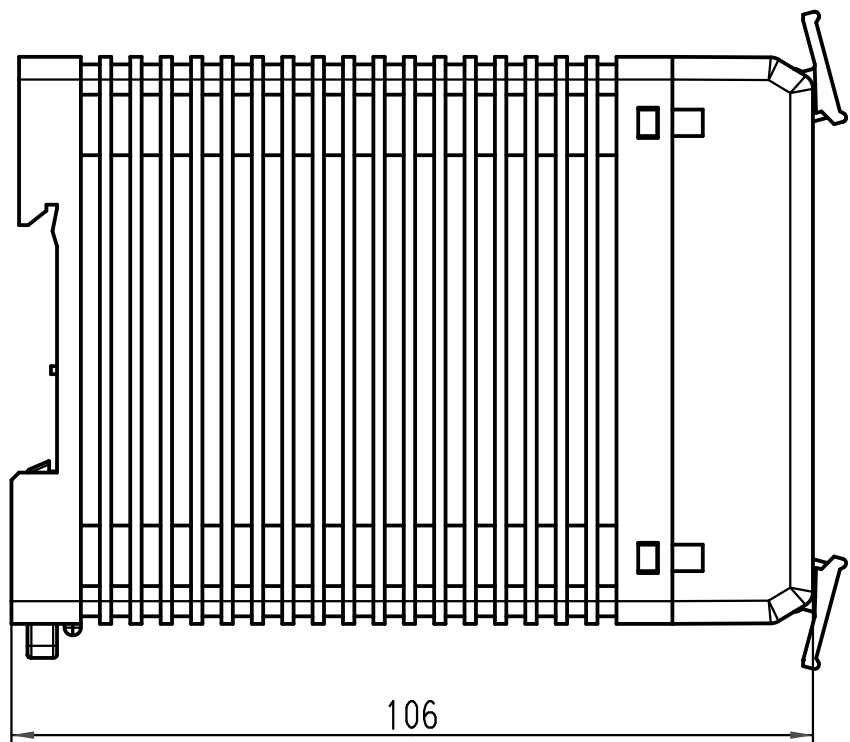
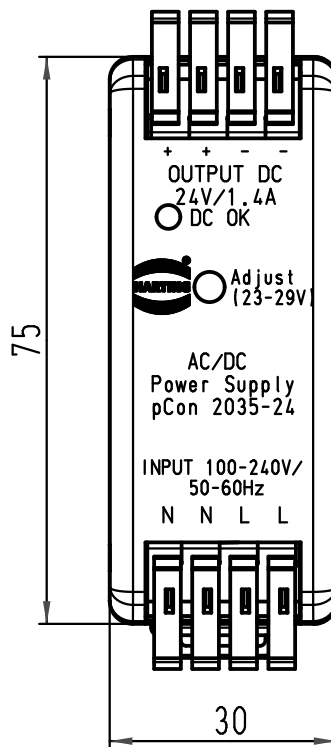
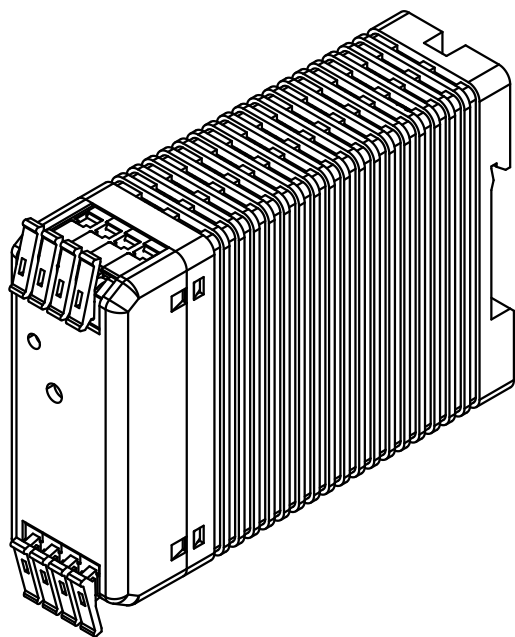
1 2 3 4 5 6

A

B

C

D



| | | | | | | |
|---|------|--------------------------------|-------------------|------|---|---|
| All Dimensions in mm Original Size DIN A 4 | | Techn. Character. | | | Nicht tolerierte Maße/ Free size tolerances | |
| | | | Dat. | Name | Maßstab/ Scale | pCon 2035-24 Schaltnetzteil/ switching power supply |
| | | Detail. | 23.09.08 | Ho | | |
| | | Insp. | | Loe. | | |
| | | Stand. | | | | |
| 414183 | | HARTING Electric GmbH & Co. KG | | | | TB 20 80 000 3123 |
| Mod. | Dat. | Name | D-32339 Espelkamp | | | |
| | | | | | Sub. | Blatt/ page |