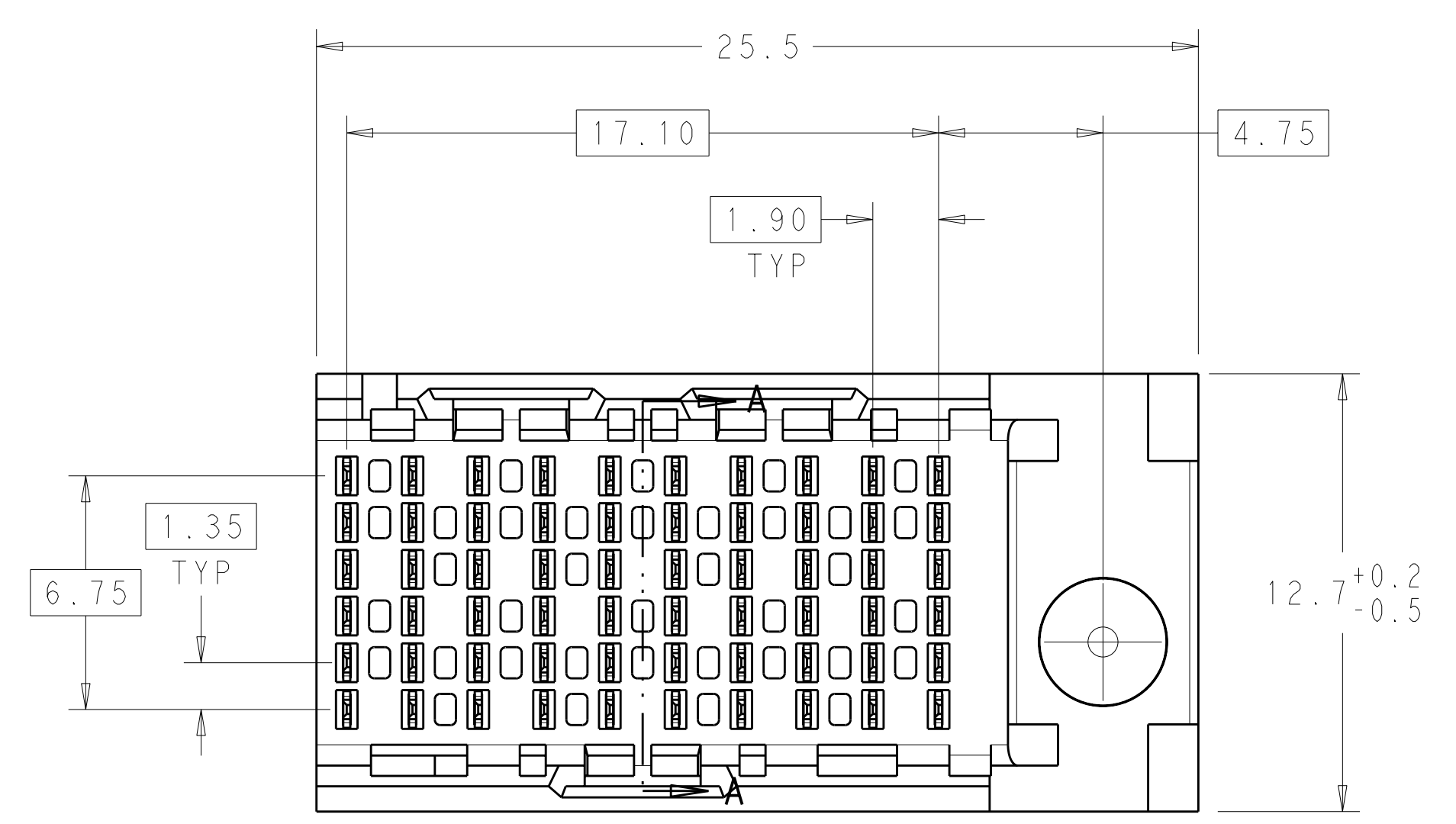
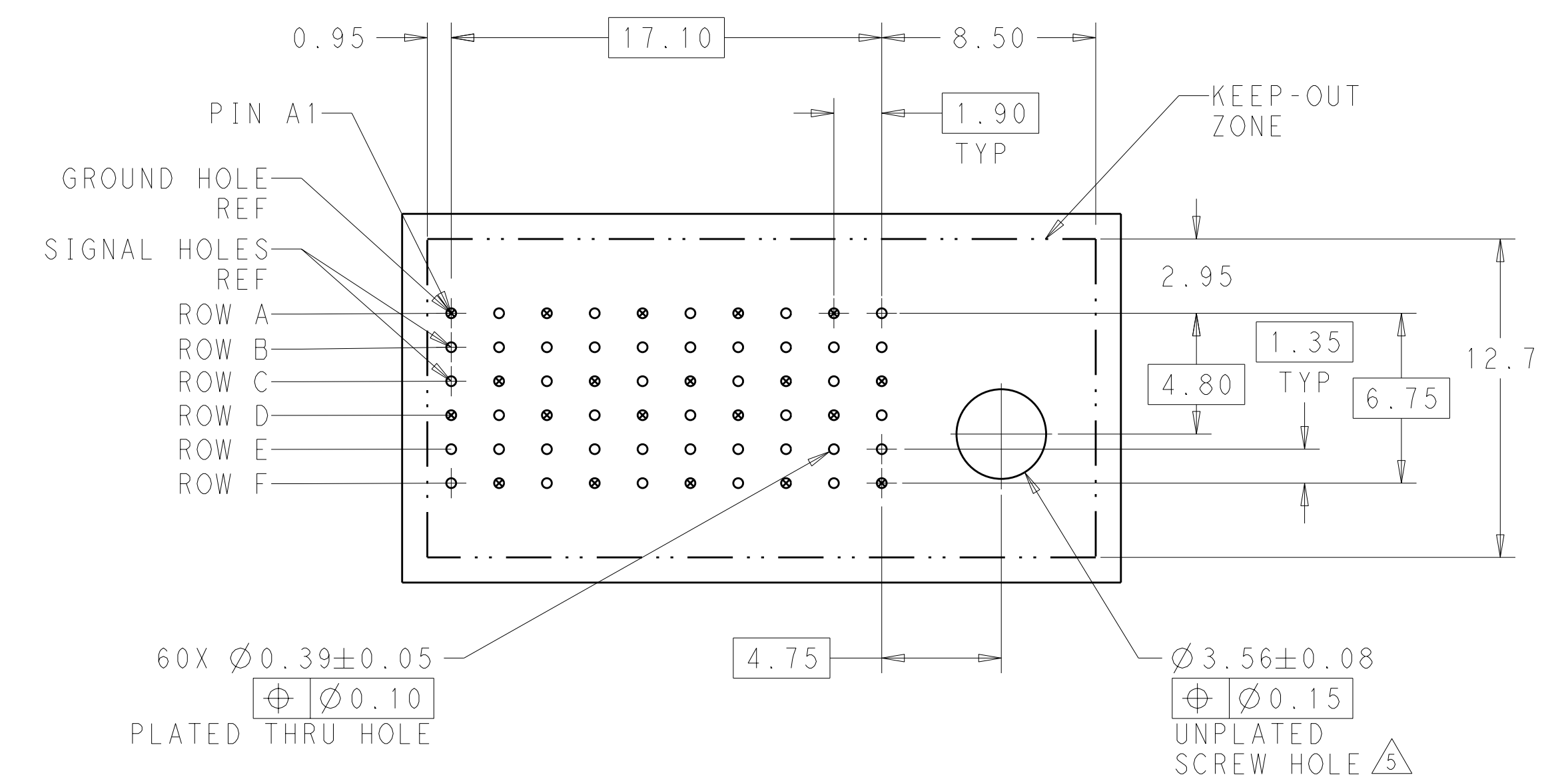
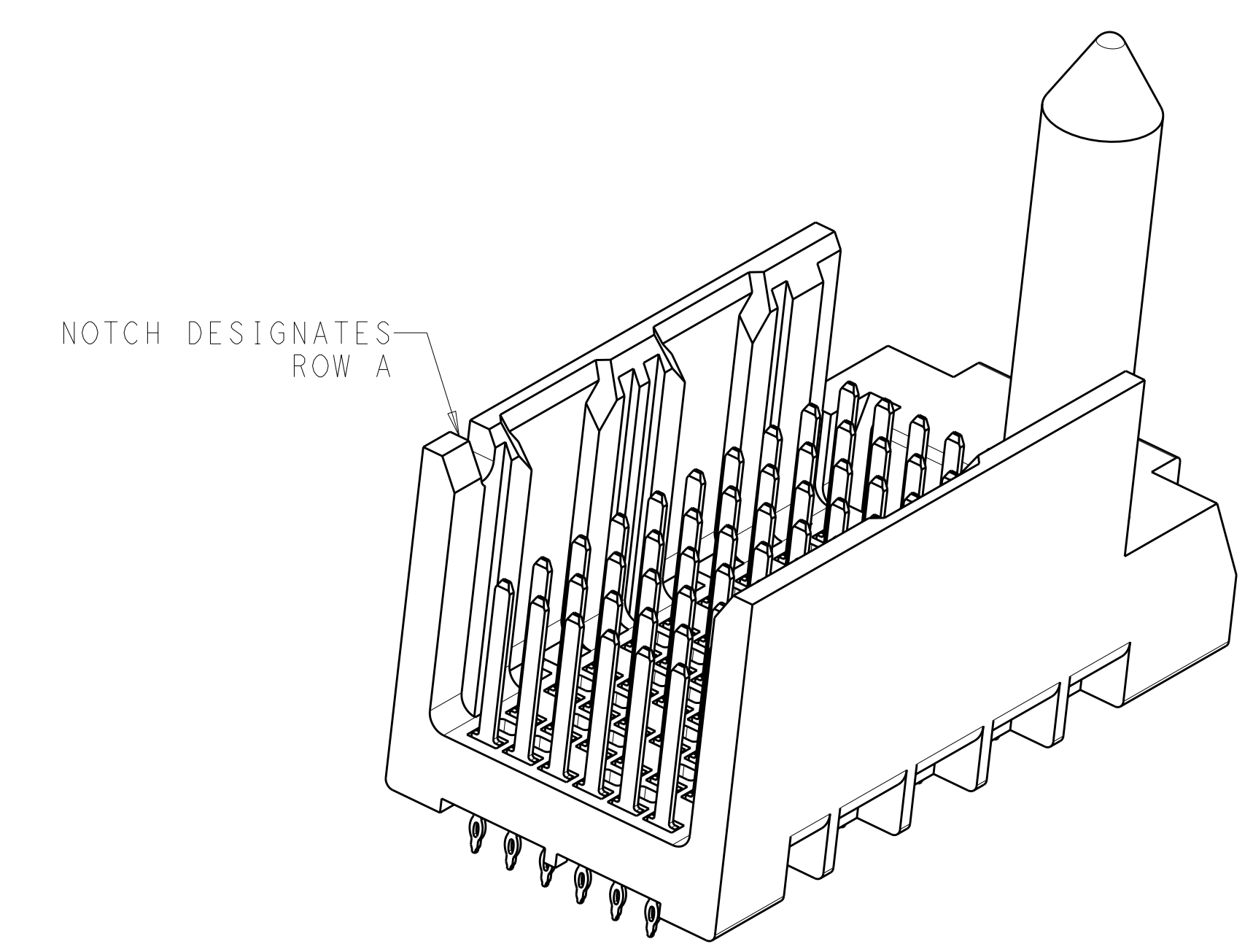


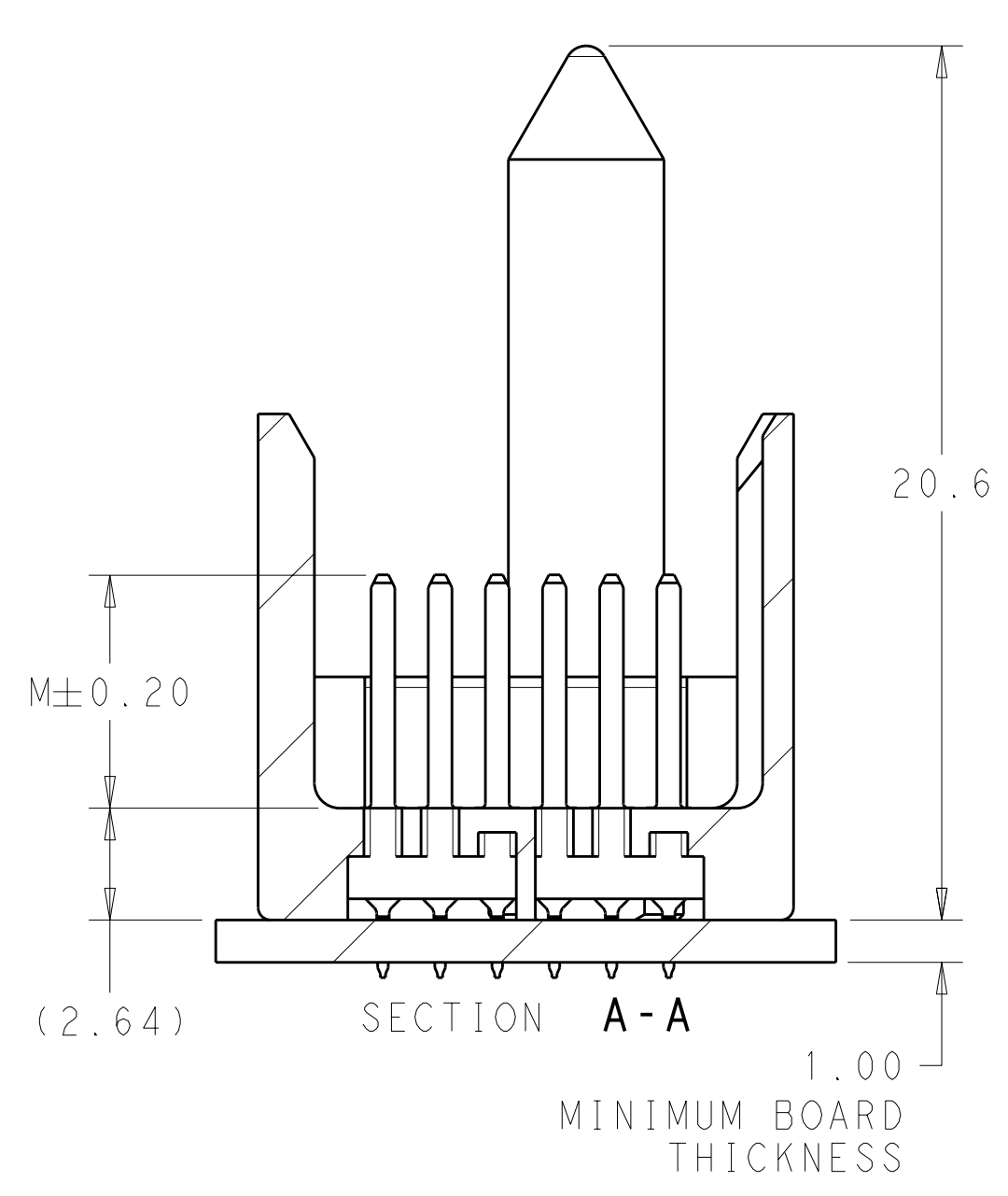
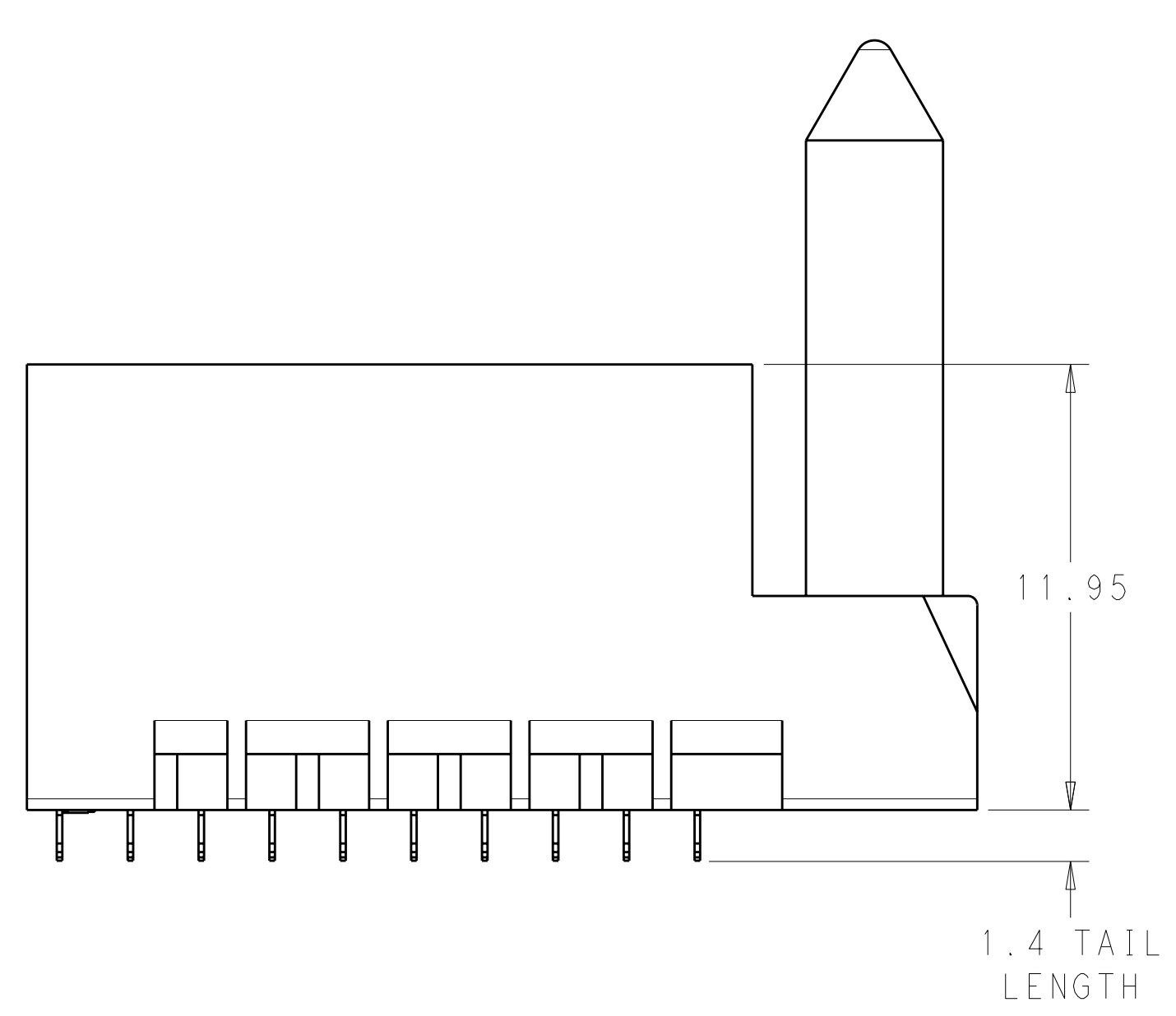
LOC	DIST	REVISIONS					
AD	00	P	LTN	DESCRIPTION	DATE	DWN	APVD
		1		DRAWING CREATED BY AUTOMATION PROGRAM	18JUL2011	JKS	JE
		A		RELEASED	24FEB2012	BC	DY



- 1 MATERIAL:
HOUSING: LCP, GLASS FILLED, UL94V-0.
TERMINALS: HIGH PERFORMANCE COPPER ALLOY.
- 2 FINISH:
30μ" MIN GOLD IN CONTACT AREA. SELECTIVE TIN
ON PCB TAILS, NICKEL OVERALL.
- 3 FINISH:
30μ" MIN GOLD IN CONTACT AREA. SELECTIVE TIN-LEAD
ON PCB TAILS, NICKEL OVERALL.
- 4. SCREWS PACKAGED IN END OF PACKAGING TUBE.
- 5 FOR GROUNDED GUIDE PIN USE $\varnothing 3.56 \pm 0.08$ PTH,
 $\varnothing 3.66$ DRILL, AND $\varnothing 6.5$ PAD.



RIGHT GUIDED
 BACKPLANE HOLE PATTERN
 (CONNECTOR SIDE)



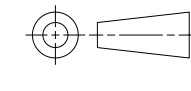
THIS DRAWING IS A CONTROLLED DOCUMENT.		DWN J. K. SHOBER 18JUL2011	TE Connectivity										
DIMENSIONS: mm		CHK J. EBY 18JUL2011											
TOLERANCES UNLESS OTHERWISE SPECIFIED:		APVD J. EBY 18JUL2011	NAME IMPACT, 2 PAIR, 10 COLUMN, HEADER RIGHT GUIDED, OPEN END WALL SELECT LOAD, SIGNAL MODULE, 0.39 PTH										
<table border="1"> <tr> <td>9 PLC</td> <td>±</td> </tr> <tr> <td>1 PLC</td> <td>±0.25</td> </tr> <tr> <td>3 PLC</td> <td>±0.13</td> </tr> <tr> <td>4 PLC</td> <td>±</td> </tr> <tr> <td>ANGLES</td> <td>±</td> </tr> </table>		9 PLC	±	1 PLC	±0.25	3 PLC	±0.13	4 PLC	±	ANGLES	±	PRODUCT SPEC	SIZE CAGE CODE DRAWING NO
9 PLC	±												
1 PLC	±0.25												
3 PLC	±0.13												
4 PLC	±												
ANGLES	±												
MATERIAL		APPLICATION SPEC	RESTRICTED TO										
FINISH SEE TABLE		WEIGHT	A100779C=2180312										
CUSTOMER DRAWING		SCALE 6:1	SHEET 1 OF 2 REV A										

THIS DRAWING IS UNPUBLISHED. RELEASED FOR PUBLICATION 20
 BY: . . . ALL RIGHTS RESERVED.

LOC	DIST	REVISIONS				
AD	00	P	LTG	DATE	DWN	APVD
-	-	-	-	SEE SHEET 1	-	-

2180312-1		△								
PART NUMBER		FINISH								
CONTACT LAYOUT										
A = 4.5mm (DIM M)										
B = 4.9mm (DIM M)										
C = 5.5mm (DIM M)										
COLUMNS										
	1	2	3	4	5	6	7	8	9	10
A	C	C	C	C	C	C	C	C	C	C
B	C	C	C	C	C	C	C	C	C	C
C	C	C	C	C	C	C	C	C	C	C
D	C	C	C	C	C	C	C	C	C	C
E	C	C	C	C	C	C	C	C	C	C
F	C	C	C	C	C	C	C	C	C	A

REFER TO WWW.TE.COM
FOR PRODUCT AVAILABILITY

THIS DRAWING IS A CONTROLLED DOCUMENT.		DWN	J. K. SHOBER	18JUL2011	STE TE Connectivity			
DIMENSIONS:		CHK	J. EABY	18JUL2011				
mm		TOLERANCES UNLESS OTHERWISE SPECIFIED:		APVD	J. EABY	18JUL2011	NAME	IMPACT, 2 PAIR, 10 COLUMN, HEADER
		0 PLC	±	PRODUCT SPEC			RIGHT GUIDED, OPEN END WALL	
		1 PLC	±0.25	APPLICATION SPEC			SELECT LOAD, SIGNAL MODULE, 0.39 PTH	
		2 PLC	±0.13	SIZE	A100779	C=2180312	RESTRICTED TO	
		3 PLC	±	WEIGHT				
		4 PLC	±	CUSTOMER DRAWING				
		ANGLES	±	SCALE	5:1	SHEET	2 OF 2	
		FINISH	SEE TABLE	REV			A	