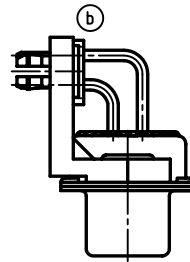
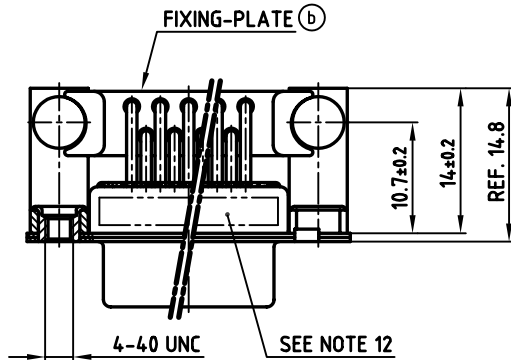
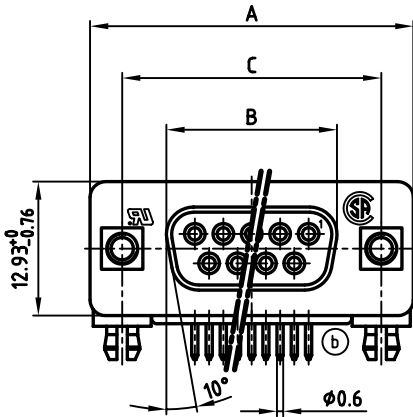
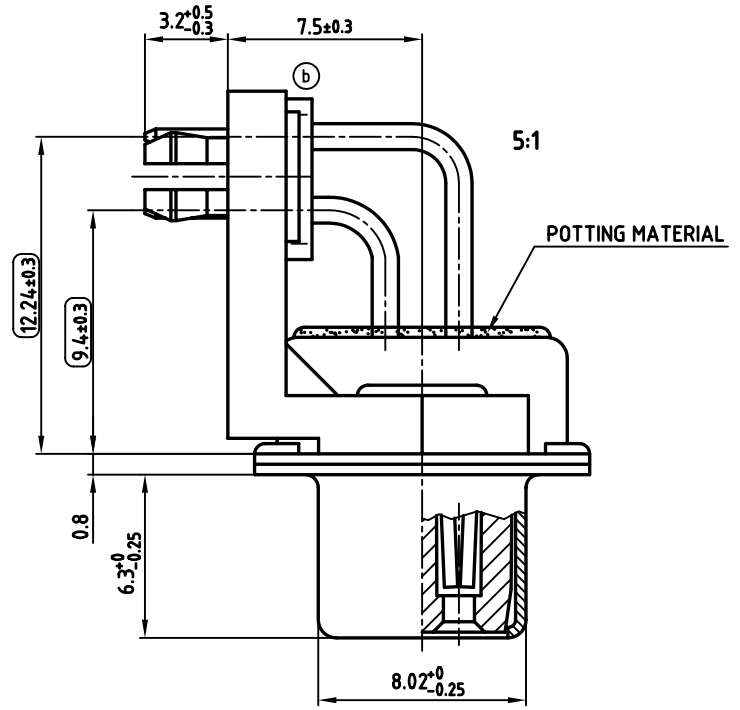


No. of pos.	A <sup>-0.76</sup>	B <sup>-0.25</sup>	C	Part No.
9	31.19	16.46	25.00 <sup>+0.12</sup> <sub>-0.15</sub>	<b>248C21530X</b>
15	39.52	24.79	33.30 <sup>+0.15</sup> <sub>-0.1</sub>	<b>248C21540X</b>
25	53.42	38.50	47.04 <sup>±0.13</sup>	<b>248C21550X</b>
37	69.70	54.96	63.50 <sup>±0.13</sup>	<b>248C21560X</b>

used for: D-SUB Filter



**NOTES:**

- METALSHELLS: STEEL; min. 320µ" TIN
- INSULATORS: PBT GF UL 94 V-0, BLACK
- CONTACTS: COPPER ALLOY  
PLATING: 30µ" HARD GOLD OVER min. 50µ" NICKEL
- METAL BRACKET: STEEL; min. 320µ" TIN over 80µ" NICKEL
- THREADED INSERT: COPPER ALLOY; min. 200µ" TIN over 80µ" NICKEL
- PCB-SNAP: COPPER ALLOY; min. 200µ" TIN over 80µ" NICKEL  
PCB-HOLE: Ø3.1±0.1; PCB THICKNESS 1.6mm
- FIXING-PLATE: PBT GF UL 94 V-0, BLACK
- CAPACITANCE: 1300pF ±20%
- DIELECTRIC WITHSTANDING VOLTAGE: 1500VDC
- P.C.B. HOLE DRILLINGS ON DRAWING NO.: 16K1111UA
- MAXIMUM TORQUE VALUE FOR THREAD: 6" LBS
- CONNECTOR IS PART MARKED: PART-NO. CONEC ABC
- = CHECK DIMENSION

Directive 2002/95/EC  
RoHS-  
Compliant

APPROVAL # FREIGABE # DEBLOCAGE # AUTORIZACION # APPROVAL	
CUSTOMER APPROVAL DATE:	
NAME:	TITLE:
COMPANY NAME:	
APPROVAL # FREIGABE # DEBLOCAGE # AUTORIZACION # APPROVAL	

THIS DRAWING MAY NOT BE COPIED OR REPRODUCED IN ANY WAY, AND MAY NOT BE PASSED ON TO A THIRD PARTY WITHOUT WRITTEN PERMISSION.  
OWNERSHIP AND COPYRIGHT OF CONEC GmbH  
**DO NOT ALTER CAD DRAWING BY HAND**

tolerance		dim. in mm	
2000	date	name	
drawn	21.11.	Parei	
appd.	21.11.	Mickenbecker	
norm	DIN 41652		
d-old			
S x b	Ä 2355	17.10.2005	Lehmen
rev.	description	date	name

scale:	2:1
material:	SEE NOTES
title:	
<b>D-SUB Filter Female 90°</b>	
9 - 37 pos. Solder pin angled 370°	
metal bracket, threaded insert, fixing-plate, clip	
dwg no:	AutoCAD 2000
<b>24K1A073A</b>	
part no:	SEE TABLE

DIN-A  
3  
sh: 1/1