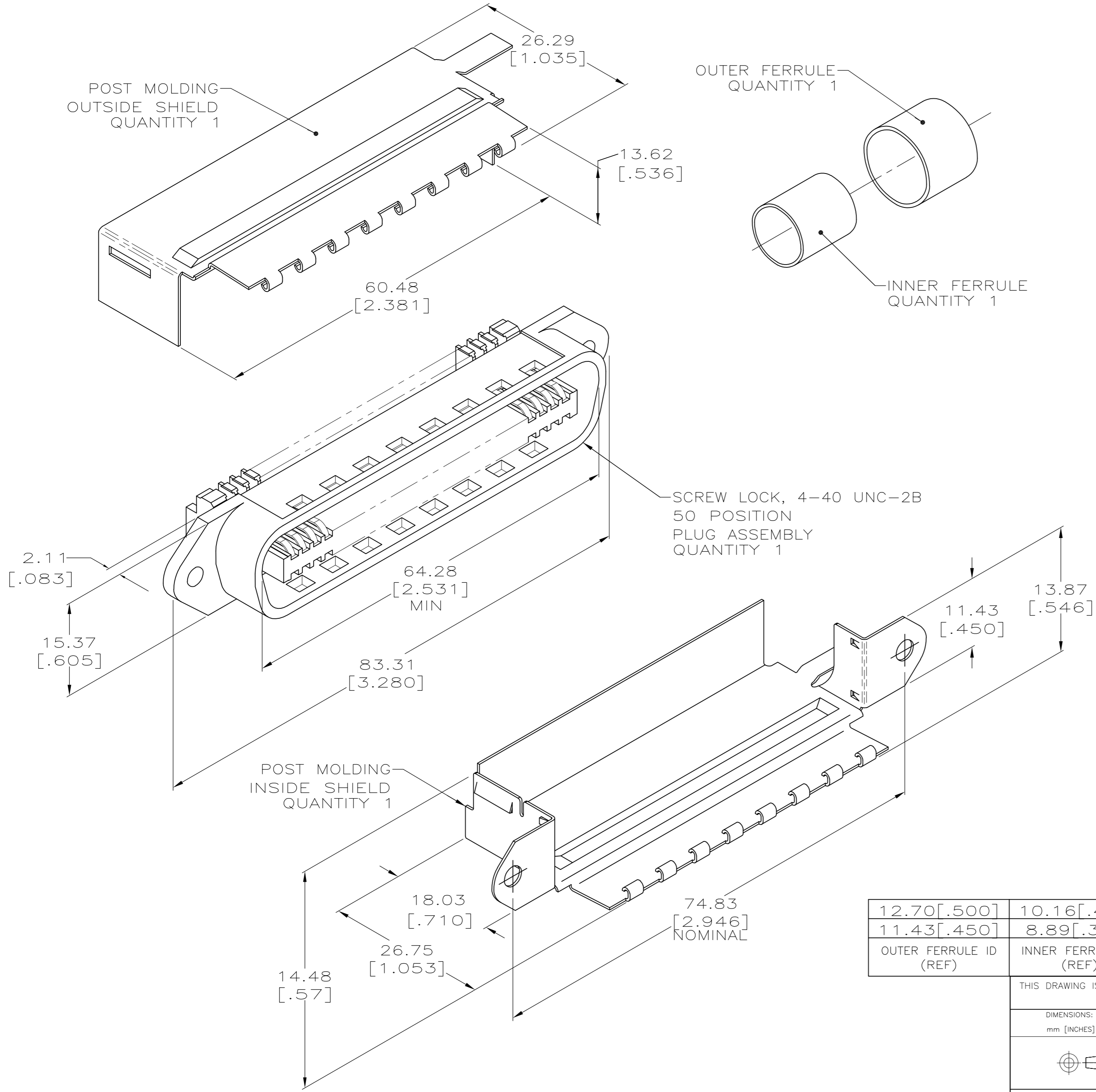


THIS DRAWING IS UNPUBLISHED. RELEASED FOR PUBLICATION
 © COPYRIGHT BY TYCO ELECTRONICS CORPORATION. ALL RIGHTS RESERVED.

| LOC | | DIST | | REVISIONS | | | |
|-----|-----|-------------|--|---------------------------|---------|------|----|
| P | LTR | DESCRIPTION | | DATE | DWN | APVD | |
| GP | 00 | E | | REVISED PER ECO-08-007327 | 02OCT08 | BM | WM |



- THIS KIT SHIPPED NOT ASSEMBLED.
- MATERIAL: PLUG HOUSING – POLYPHENYLENE OXIDE, BLACK.
 TERMINAL – HIGH STRENGTH COPPER ALLOY PLATED WITH EITHER 0.76µm [.000030] MIN GOLD OR GOLD FLASH OVER PALLADIUM NICKEL PLATE, 0.76µm [.000030] MIN TOTAL ON MATING SURFACE, 1.27µm [.000050] MIN NICKEL UNDERPLATE OVER ENTIRE TERMINAL.
 SHIELDS – BRIGHT NICKEL PLATED CARBON STEEL.
 FERRULES – BRASS.
- WIRE SIZE: 24 OR 26 AWG SOLID OR 24 AWG 7 STRANDS COPPER CONDUCTORS. MAXIMUM INSULATION DIAMETER OF 1.14[.045] IS ACCEPTABLE FOR MOST APPLICATIONS.
- CENTER-TO-CENTER SPACING OF TERMINALS IS 2.16 [.085] NOMINAL.
- BULK PACKAGED 500 KITS PER CONTAINER.
- DIMENSIONS ARE MAXIMUM UNLESS OTHERWISE SPECIFIED.

| 12.70 [.500] | 10.16 [.400] | BLACK | B | 3 | 5 | 1116719-3 |
|------------------------|------------------------|---------------|------|-----------|----------|-------------|
| 11.43 [.450] | 8.89 [.350] | BLACK | B | 3 | 5 | 1116719-1 |
| OUTER FERRULE ID (REF) | INNER FERRULE ID (REF) | HOUSING COLOR | SLOT | WIRE SIZE | PACKAGED | PART NUMBER |

| | | | | | | |
|--|--|---------------------------|---|--|--|--|
| THIS DRAWING IS A CONTROLLED DOCUMENT. | | DWN DL DRUMMOND 10-JUL-00 | Tyco Electronics Corporation Harrisburg, PA 17105-3608 | | | |
| DIMENSIONS: mm [INCHES] | | CHK DL DRUMMOND 13-JUL-00 | NAME PLUG KIT, 50 POSITION, POST MOLDING, SHIELDED, 90° SCREW LOCK, CHAMP | | | |
| TOLERANCES UNLESS OTHERWISE SPECIFIED: | | APVD EW BEILES 13-JUL-00 | SIZE A2 CAGE CODE 00779 C=1116719 | | | |
| 0 PLC ± - | | PRODUCT SPEC | RESTRICTED TO | | | |
| 1 PLC ± - | | APPLICATION SPEC | SCALE 2:1 SHEET 1 OF 1 | | | |
| 2 PLC ± - | | WEIGHT - | REV E | | | |
| 3 PLC ± - | | CUSTOMER DRAWING | | | | |
| 4 PLC ± - | | | | | | |
| ANGLES ± - | | | | | | |
| FINISH | | | | | | |