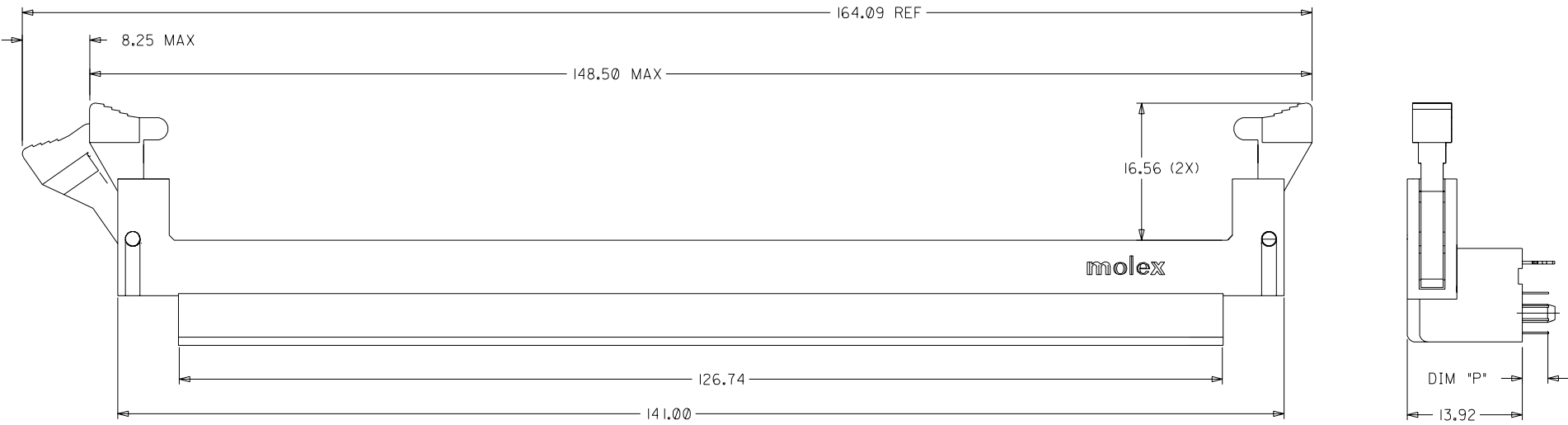
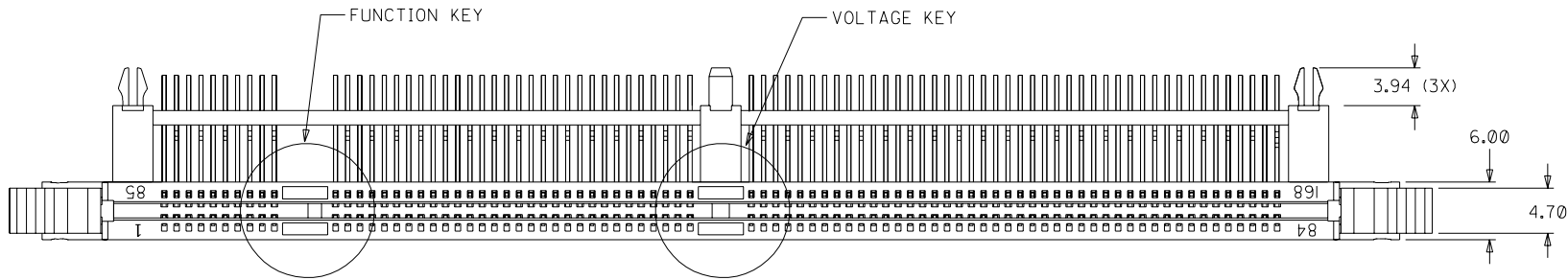


NOTES:

1. PRODUCT SPEC PS-87609-002 APPLIES.
2. PRODUCT IS PACKAGED IN TRAYS.
3. MATERIALS:  
 HOUSING- HIGH-TEMP THERMOPLASTIC  
 TERMINAL- PHOSPHOR BRONZE  
 LATCHES - HIGH-TEMP THERMOPLASTIC  
 FORKLOCKS - COPPER ALLOY OR STEEL ALLOY  
 BASE-PLATE - HIGH-TEMP THERMOPLASTIC  
 COVER - HIGH-TEMP THERMOPLASTIC
4. PLATING:  
 CONTACT AREA:  
 SEE TABLE ON SHEET 3 OF 3  
 FOR GOLD PLATING OPTION AT CONTACT AREA  
 SOLDER TAILS: 75µIN./(1.9µM) MIN. TIN-LEAD  
 UNDERPLATE: 50µIN./(1.27µM) MIN. NICKEL

REVISE PER ECN EC NO. S2002-0370 DRWN: DSOH 020305 CHK: JS COH 020306 APPR: KC LING 020306	QUALITY SYMBOLS MAJOR ▼ = 0 CRITICAL ▽ = 0	GENERAL TOLERANCES: (UNLESS SPECIFIED)		SCALE NTS	DESIGN UNITS <input checked="" type="checkbox"/> mm <input type="checkbox"/> INCH	THIRD ANGLE PROJECTION	DIMENSIONS: <input type="checkbox"/> mm <input type="checkbox"/> INCH <input type="checkbox"/> mm <input checked="" type="checkbox"/> INCH ONLY	SHT	REV	
		4 PLACES	±0. --- ±.	INCH	DRAWN BY & DATE STEVEN Q 000121	TITLE: 1.27 MM PITCH RIGHT ANGLE 168 CKTS MULTI-KEY DIMM				
		3 PLACES	±0. --- ±.	mm	CHECKED BY & DATE KC LING 000301	<b>MOLEX INCORPORATED</b>				
		2 PLACES	±0.25 ±.	mm	APPROVED BY & DATE SK TOH 000303					
1 PLACE	±0. --- ±.	mm	ANGULAR: ± 5°	CAD FILENAME NA	MATERIAL NO. SEE TABLE	DRAWING NO. SD-87609-001	SHEET NO. 1 OF 3	REVISE ON CAD ONLY		
THIS DRAWING CONTAINS INFORMATION THAT IS PROPRIETARY TO MOLEX INCORPORATED AND SHOULD NOT BE USED WITHOUT WRITTEN PERMISSION.										

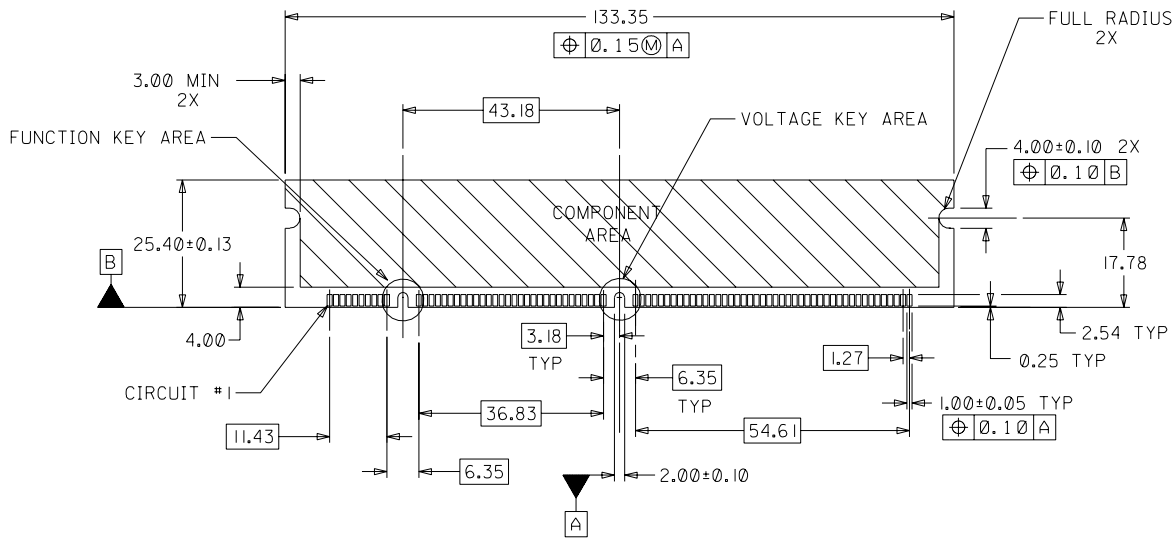
8 7 6 5 4 3 2 1



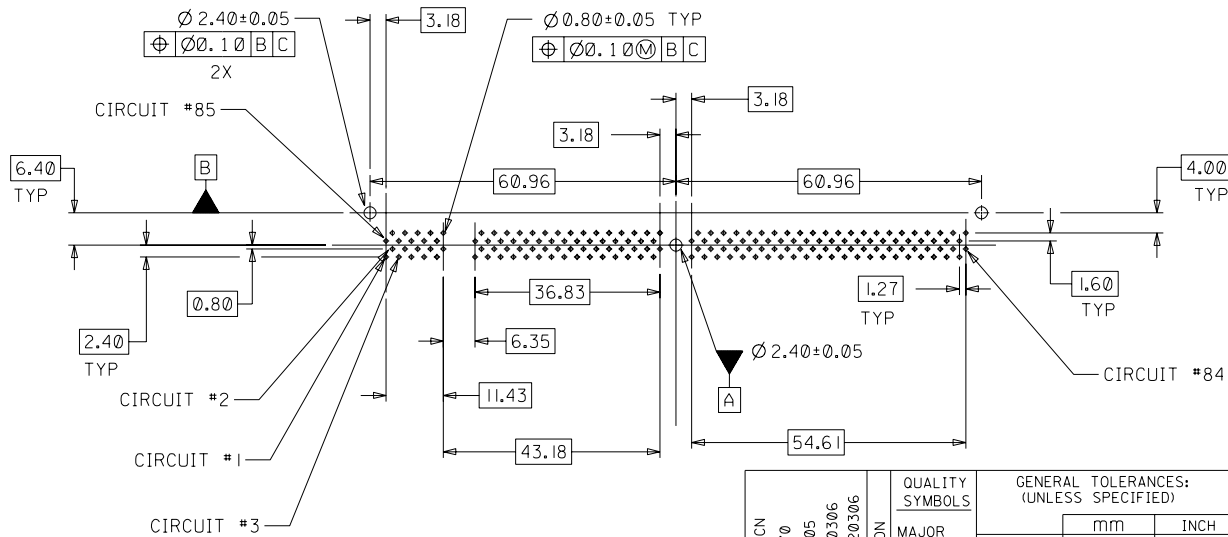
NOTES:

1. PRODUCT SPEC PS-87609-002 APPLIES.
2. PRODUCT IS PACKAGED IN TRAYS.
3. MATERIALS:  
 HOUSING- HIGH-TEMP THERMOPLASTIC  
 TERMINAL- PHOSPHOR BRONZE  
 LATCHES - HIGH-TEMP THERMOPLASTIC  
 FORKLOCKS - COPPER ALLOY OR STEEL ALLOY  
 BASE-PLATE - HIGH-TEMP THERMOPLASTIC  
 COVER - HIGH-TEMP THERMOPLASTIC
4. PLATING:  
 CONTACT AREA:  
 SEE TABLE ON SHEET 3 OF 3  
 FOR GOLD PLATING OPTION AT CONTACT AREA  
 SOLDER TAILS: 75µIN./(1.91µM) MIN. TIN-LEAD  
 UNDERPLATE: 50µIN./(1.27µM) MIN. NICKEL

REVISE PER ECN EC NO. S2002-0370 DRWN: DSOH 020305 CHK: JS COH 020306 APPR: KC LING 020306	QUALITY SYMBOLS MAJOR ▼ = 0 CRITICAL ▽ = 0	GENERAL TOLERANCES: (UNLESS SPECIFIED)		SCALE NTS	DESIGN UNITS <input checked="" type="checkbox"/> mm <input type="checkbox"/> INCH	THIRD ANGLE PROJECTION <input checked="" type="checkbox"/> mm <input type="checkbox"/> INCH	DIMENSIONS: <input type="checkbox"/> mm <input type="checkbox"/> INCH <input checked="" type="checkbox"/> mm ONLY	SHT	REV	
		4 PLACES	±0. ---	±.	DRAWN BY & DATE STEVEN O 000121		TITLE: 1.27 MM PITCH RIGHT ANGLE 168 CKTS MULTI-KEY DIMM			
		3 PLACES	±0. ---	±.	CHECKED BY & DATE KC LING 000301		MOLEX INCORPORATED CAD FILENAME: NA    MATERIAL NO.: SEE TABLE    DRAWING NO.: SD-87609-001    SHEET NO.: 1 OF 3			
		2 PLACES	±0.25	±.	APPROVED BY & DATE SK TOH 000303					
1 PLACE	±0. ---	±.	ANGULAR: ± 5°		THIS DRAWING CONTAINS INFORMATION THAT IS PROPRIETARY TO MOLEX INCORPORATED AND SHOULD NOT BE USED WITHOUT WRITTEN PERMISSION.					

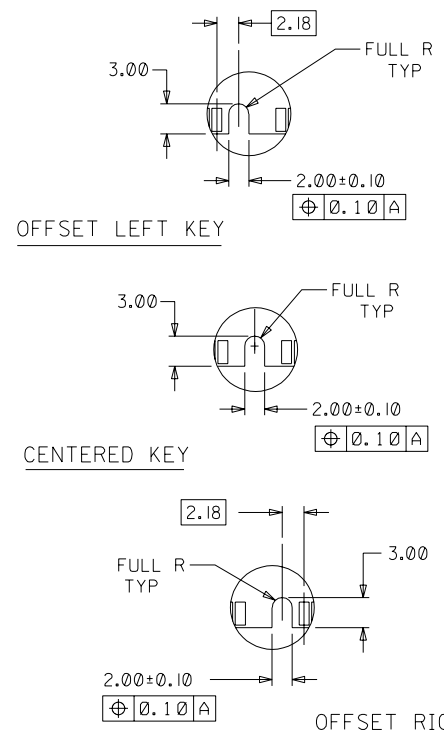


RECOMMENDED MODULE LAYOUT  
(PER JEDEC STANDARD MO-161, I68 CKT. 3.3V)



RECOMMENDED  
P.C. BOARD HOLE PATTERN  
(CONNECTOR SIDE)

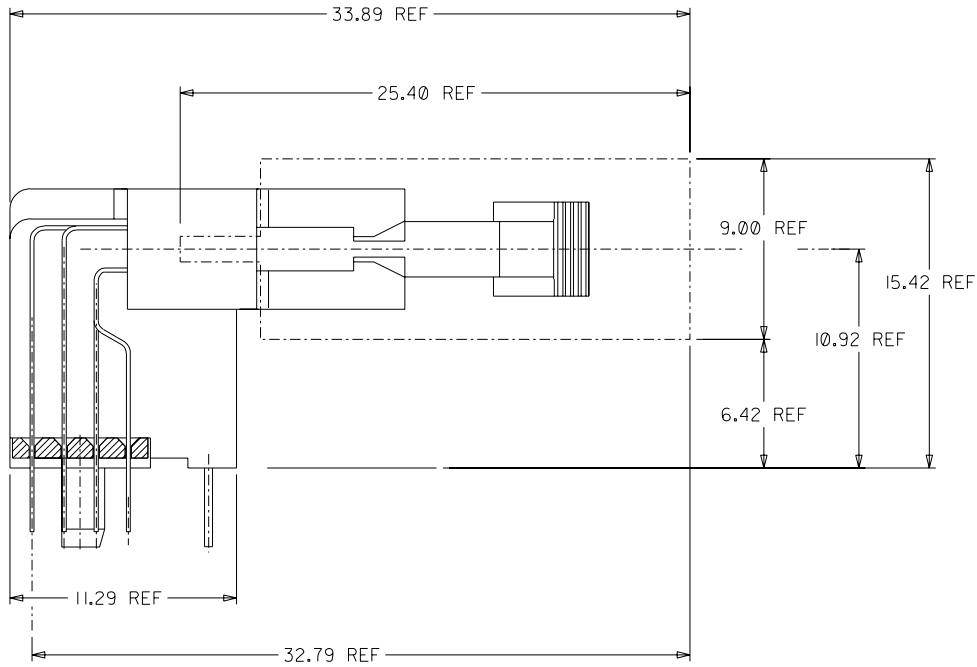
FUNCTION KEY AREA OPTIONS  
(REFER ALSO TO TABLE ON SHT. 3)



- NOTES:
1. STRAIGHTNESS OF MODULE APPLIES TO THE AREA FROM THE BOTTOM OF THE CARD UP 4.00(.157)
  2. RECOMMENDED PLATING ON MODULE PADS: 0.76 MICROMETER(30 MICROINCH) MINIMUM HARD GOLD OVER 2.0 MICROMETER(79 MICROINCH) MINIMUM NICKEL.

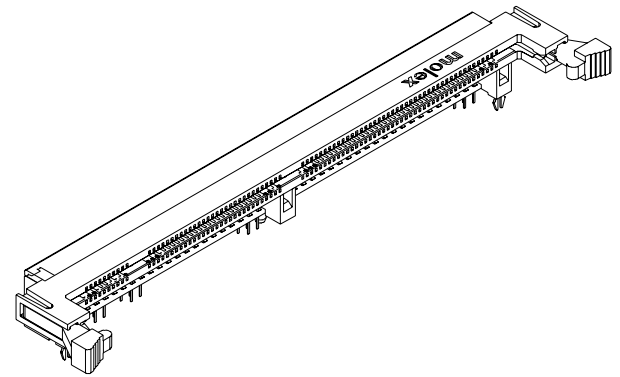
REVISE PER ECN EC NO. S2002-0370 DRAWN: DSOH 020305 CHK: JS GOH 020306 APPR: KC LING 020306	QUALITY SYMBOLS MAJOR ▼ = 0 CRITICAL ▼ = 0	GENERAL TOLERANCES: (UNLESS SPECIFIED)		SCALE NTS	DESIGN UNITS <input checked="" type="checkbox"/> mm <input type="checkbox"/> INCH	THIRD ANGLE PROJECTION	DIMENSIONS: <input type="checkbox"/> mm <input type="checkbox"/> INCH <input type="checkbox"/> mm <input checked="" type="checkbox"/> INCH	SHT	REV
		4 PLACES ±0. --- ±.	3 PLACES ±0. --- ±.	2 PLACES ±0.15 ±.	1 PLACE ±0. --- ±.	ANGULAR: ± 5°	DRAWN BY & DATE STEVEN Q 000121	TITLE: 1.27 MM PITCH RIGHT ANGLE I68 CKTS MULTI-KEY DIMM	
C	DESCRIPTION			APPROVED BY & DATE SK TOH 000303	MATERIAL NO. SEE TABLE		DRAWING NO. SD-87609-001		SHEET NO. 2 OF 3
				CAD FILENAME NA					SIZE A3

8 7 6 5 4 3 2 1



ACTUAL MODULE HEIGHT AND CLEARANCE  
WHEN USING A 9.00MM THICK BY 25.40MM HEIGHT  
MODULE (TYPICAL SOJ PACKAGING).

MATERIAL NO.	FUNCTION KEY	GOLD PLATING OPTION AT CONTACT AREA	DATUM VOLTAGE KEY	TAIL LENGTH P±0.25
87609-0048	LEFT	15µIN/(0.38µM) MIN.	CENTER (3.3V)	2.79
87609-0049	CENTRE			
87609-0050	RIGHT			
87609-0148	LEFT	30µIN/(0.76µM) MIN.	CENTER (3.3V)	3.18
87609-0149	CENTRE			
87609-0150	RIGHT			
87609-0057	LEFT	15µIN/(0.38µM) MIN.	CENTER (3.3V)	3.56
87609-0058	CENTRE			
87609-0059	RIGHT			
87609-0157	LEFT	30µIN/(0.76µM) MIN.	CENTER (3.3V)	3.56
87609-0158	CENTRE			
87609-0159	RIGHT			
87609-0066	LEFT	15µIN/(0.38µM) MIN.	CENTER (3.3V)	3.56
87609-0067	CENTRE			
87609-0068	RIGHT			
87609-0166	LEFT	30µIN/(0.76µM) MIN.	CENTER (3.3V)	3.56
87609-0167	CENTRE			
87609-0168	RIGHT			



REVISE PER ECN EC NO. S2002-0370 DRWN: DSOH 020305 CHK: JS COH 020306 APPR: KC LING 020306	DESCRIPTION C	QUALITY SYMBOLS MAJOR ▼ = 0 CRITICAL ▽ = 0	GENERAL TOLERANCES: (UNLESS SPECIFIED)	SCALE NTS	DESIGN UNITS <input checked="" type="checkbox"/> mm <input type="checkbox"/> INCH	THIRD ANGLE PROJECTION <input type="checkbox"/> mm <input type="checkbox"/> INCH <input checked="" type="checkbox"/> mm ONLY	SHT REV													
		<table border="1"> <tr> <th></th> <th>mm</th> <th>INCH</th> </tr> <tr> <td>4 PLACES</td> <td>±0. ---</td> <td>±.</td> </tr> <tr> <td>3 PLACES</td> <td>±0. ---</td> <td>±.</td> </tr> <tr> <td>2 PLACES</td> <td>±0.25</td> <td>±.</td> </tr> <tr> <td>1 PLACE</td> <td>±0. ---</td> <td>±.</td> </tr> </table>		mm	INCH	4 PLACES	±0. ---	±.	3 PLACES	±0. ---	±.	2 PLACES	±0.25	±.	1 PLACE	±0. ---	±.	ANGULAR: ± 5°	DRAWN BY & DATE STEVEN O 000121	TITLE: 1.27 MM PITCH RIGHT ANGLE 168 CKTS MULTI-KEY DIMM
	mm	INCH																		
4 PLACES	±0. ---	±.																		
3 PLACES	±0. ---	±.																		
2 PLACES	±0.25	±.																		
1 PLACE	±0. ---	±.																		
APPROVED BY & DATE SK TOH 000303				MOLEX INCORPORATED																
		CAD FILENAME NA	MATERIAL NO. SEE TABLE	DRAWING NO. SD-87609-001	SHEET NO. 3 OF 3															
THIS DRAWING CONTAINS INFORMATION THAT IS PROPRIETARY TO MOLEX INCORPORATED AND SHOULD NOT BE USED WITHOUT WRITTEN PERMISSION.							SIZE A3													