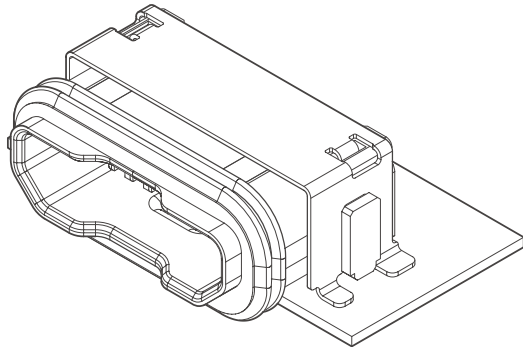




UB CONNECTOR Micro USB



USB (Universal Serial bus) Conforming Connector (Waterproof)



This connector is an interface connector for cellular phone and mobile equipment conforming to Micro USB (Universal Serial Bus) Standard that is grade 7 ingress protection of JIS C 0920 (IPX7 of IEC 60529).

***Grade 7 ingress protection of JIS C 0920 (IPX7 of IEC 60529) : Leave it to depths of 1 m for 30 minutes.**

- **Waterproof performance**
- **10,000 cycles of insertion and extraction is provided as durability.**
- **Strong structure which welded to caulking part by laser welding**
- **SMT configuration**

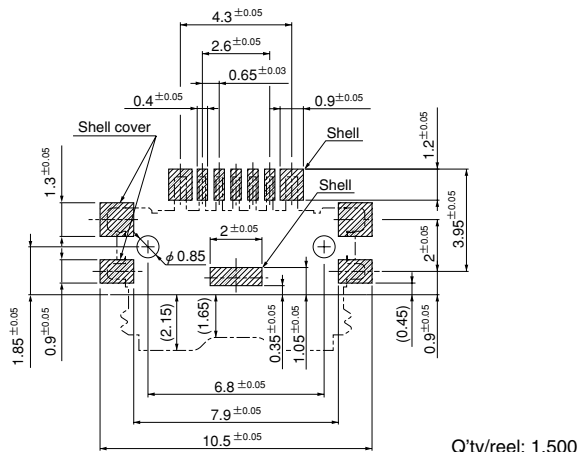
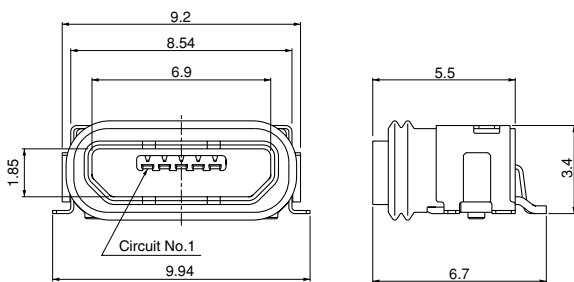
Specifications

- Current rating :
 - When using only signal line
 - Signal line (when using the contacts from No.2 to 4.) : 1.0 A AC, DC/Line
 - When using power supply line
 - Power supply line (when using the contacts No.1 and 5.) : 1.8 A AC, DC/Line
 - Signal line (when using the contacts from No.2 to 4.) : 0.5 A AC, DC/Line
 - Voltage rating: 30 V AC, DC
 - Temperature range: -30°C to +85°C (including temperature rise in applying electrical current)
 - Contact resistance: Initial value/ 30 mΩ max. After environmental tests/ 50 mΩ max.
 - Insulation resistance: 1,000 MΩ min.
 - Withstanding voltage: 100 VAC/minute
- * Refer to "General Instruction and Notice when using Terminals and Connectors" at the end of this catalog.
 * Contact JST for details.
 * Compliant with RoHS.

Receptacle

Standard B Type

TID No.: 60002098



Model No.	Material and Finish
UB-MC5BR3-SDWP604-4S	Contact: Copper alloy, nickel-undercoated, gold-plated
	Housing: Heat resisting resin, UL94V-0, black
	Shell: SUS, nickel-undercoated, tin-plated
	Shell cover: Copper alloy, nickel-undercoated, tin-plated
	Cap: Heat resisting resin, UL94V-0, black
	Outer seal: Silicon rubber, black
	Sealant: Cured resin

RoHS compliance