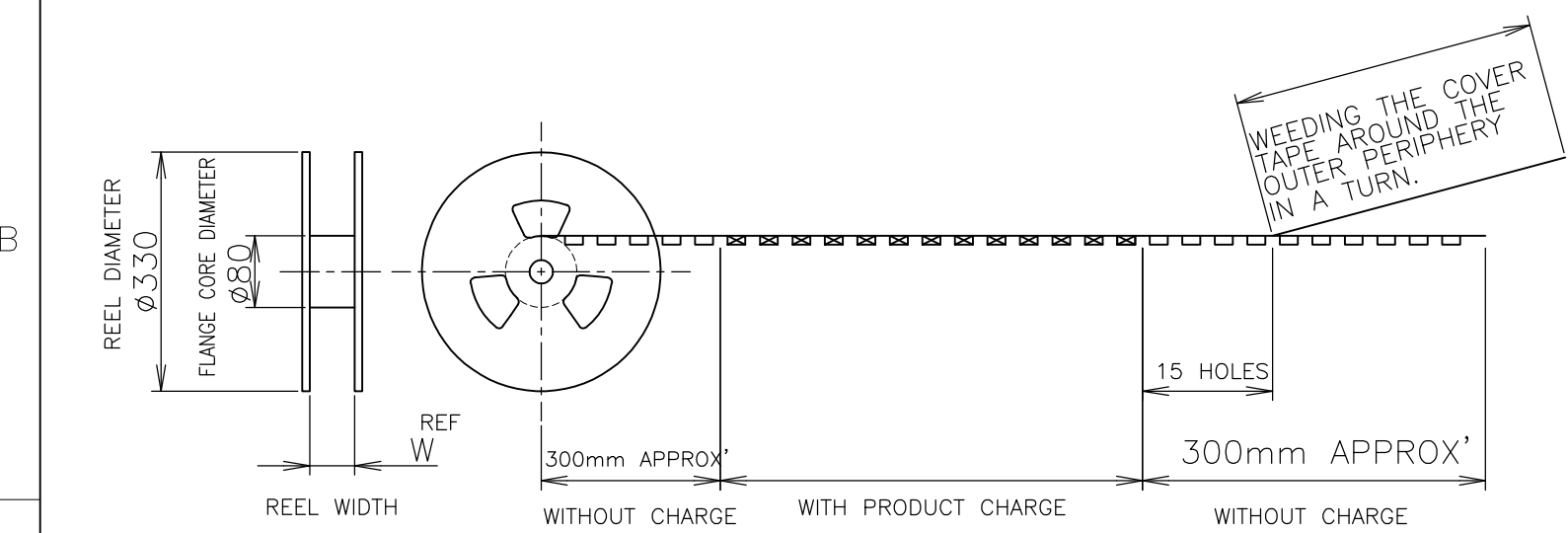
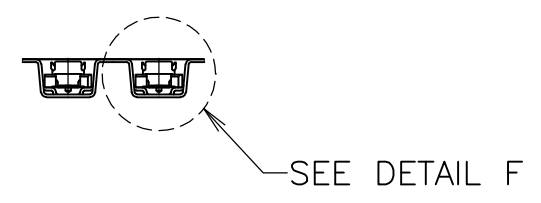
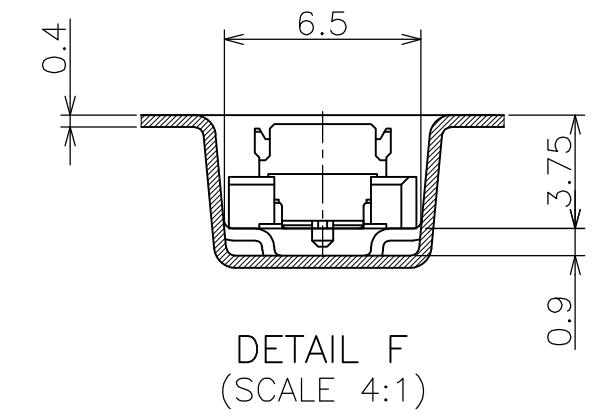
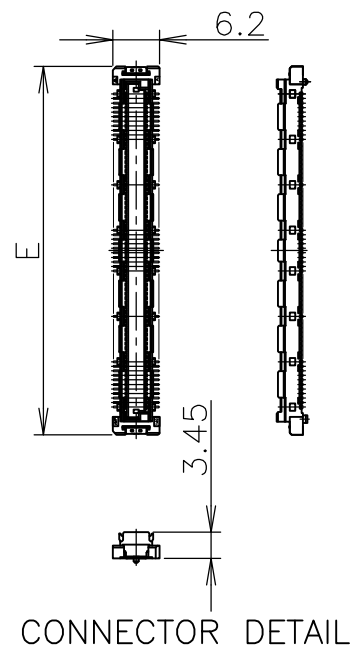
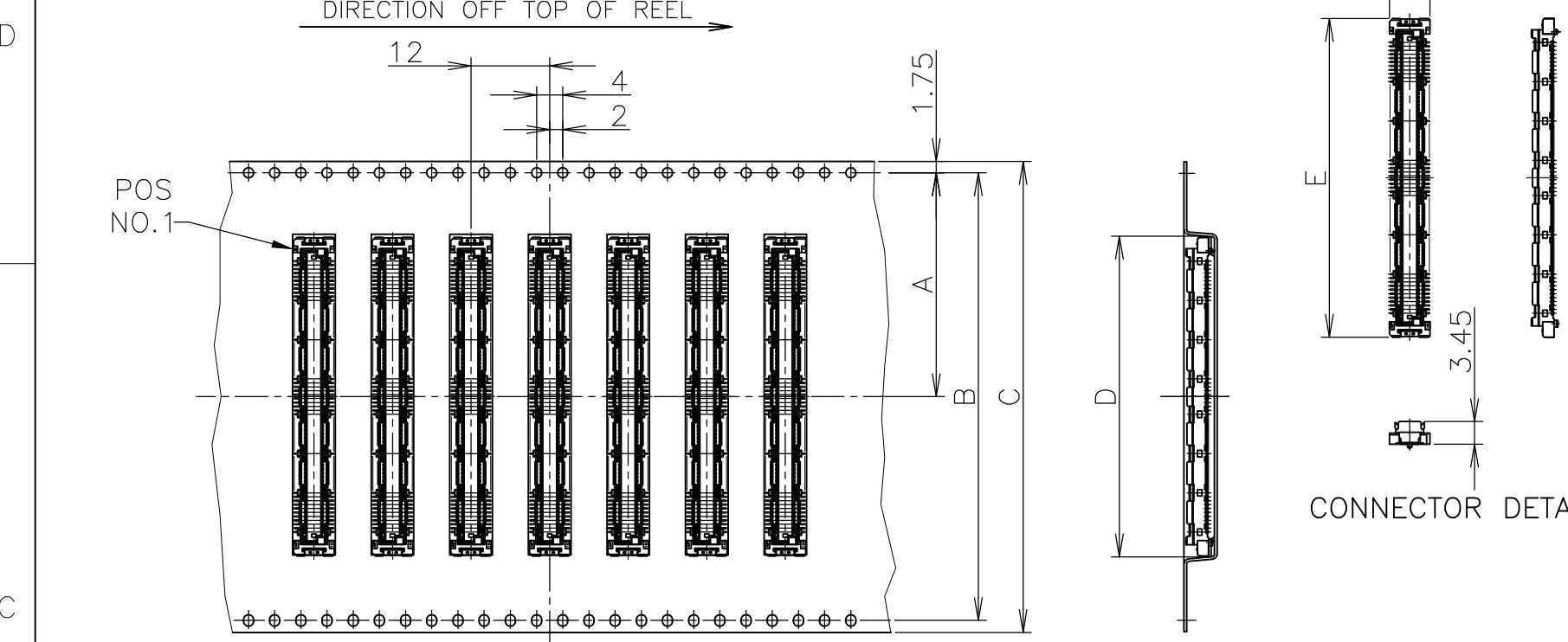


THIS DRAWING IS UNPUBLISHED. RELEASED FOR PUBLICATION JUN , 1996.
 © COPYRIGHT 1996 BY TYCO ELECTRONICS CORPORATION. ALL RIGHTS RESERVED.

LOC	DIST	REVISIONS					
		P	LTR	DESCRIPTION	DATE	DWN	APVD
J		E		REVISED ECR-07-031084	01FEB08	T.T	T.F



WEEDING THE COVER TAPE AROUND THE OUTER PERIPHERY IN A TURN.

SEALANT	NOT AVAILABLE	1000	77.5	54.7	55	72	68.4	34.2	160	6-353183-1
	AVAILABLE	↑	77.5	48.7	49	72	68.4	34.2	140	6-↑-0
	NOT AVAILABLE		61.5	42.7	43	56	52.4	26.2	120	5-↑-9
	AVAILABLE		61.5	36.7	37	56	52.4	26.2	100	5-↑-8
	NOT AVAILABLE		61.5	33.7	34	56	52.4	26.2	90	5-↑-7
	↑		49.5	30.7	31	44	40.4	20.2	80	5-↑-6
	↑		49.5	27.7	28	44	40.4	20.2	70	5-↑-5
	↑		49.5	24.7	25	44	40.4	20.2	60	5-↑-4
	↑		37.5	21.7	22	32	28.4	14.2	50	5-↑-3
	↑		37.5	18.7	19	32	28.4	14.2	40	5-↑-2
NON SEALANT	NOT AVAILABLE	1000	29.5	15.7	16	24	11.5	30	5-353183-1	
	NOT AVAILABLE	1000	77.5	54.7	55	72	68.4	34.2	160	1-353183-1
	AVAILABLE	↑	77.5	48.7	49	72	68.4	34.2	140	1-↑-0
	NOT AVAILABLE		61.5	42.7	43	56	52.4	26.2	120	↑-9
	AVAILABLE		61.5	36.7	37	56	52.4	26.2	100	↑-8
	NOT AVAILABLE		61.5	33.7	34	56	52.4	26.2	90	↑-7
	↑		49.5	30.7	31	44	40.4	20.2	80	↑-6
	↑		49.5	27.7	28	44	40.4	20.2	70	↑-5
	↑		49.5	24.7	25	44	40.4	20.2	60	↑-4
	↑		37.5	21.7	22	32	28.4	14.2	50	↑-3
↑		37.5	18.7	19	32	28.4	14.2	40	↑-2	
SEALANT	TOOLING STATUS	QTY.	W	E	D	C	B	A	POS.	PART NO.

THIS PRODUCT WAS COATED BY FLUX-PENETRATION -INHIDITING AGENT.

THIS DRAWING IS A CONTROLLED DOCUMENT.

DIMENSIONS: 単位: 耗 mm	TOLERANCES UNLESS OTHERWISE SPECIFIED: 一般公差	DWN T.KUSUHARA 06JUN96	CHK I.ENOMOTO 06JUN96	APVD Y.YOSHIMURA 06JUN96
0 PLC ± 0.2	1 PLC ± 0.2	PRODUCT SPEC 製品規格 108-5468	NAME 名称 Y.YOSHIMURA	
2 PLC ± 0.2	3 PLC ± 0.2	APPLICATION SPEC 取付適用規格	SIZE A3	
4 PLC ± 0.2	ANGLES ± 5'	WEIGHT	CAGE CODE 00779	
MATERIAL 材料	FINISH 仕上	DRAWING NO 番号 G-353183		RESTRICTED TO

OBsolete Tyco Electronics Corporation
Kawasaki, Japan

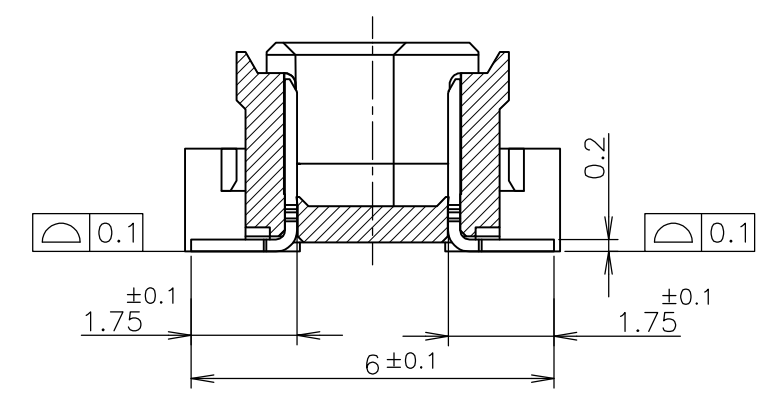
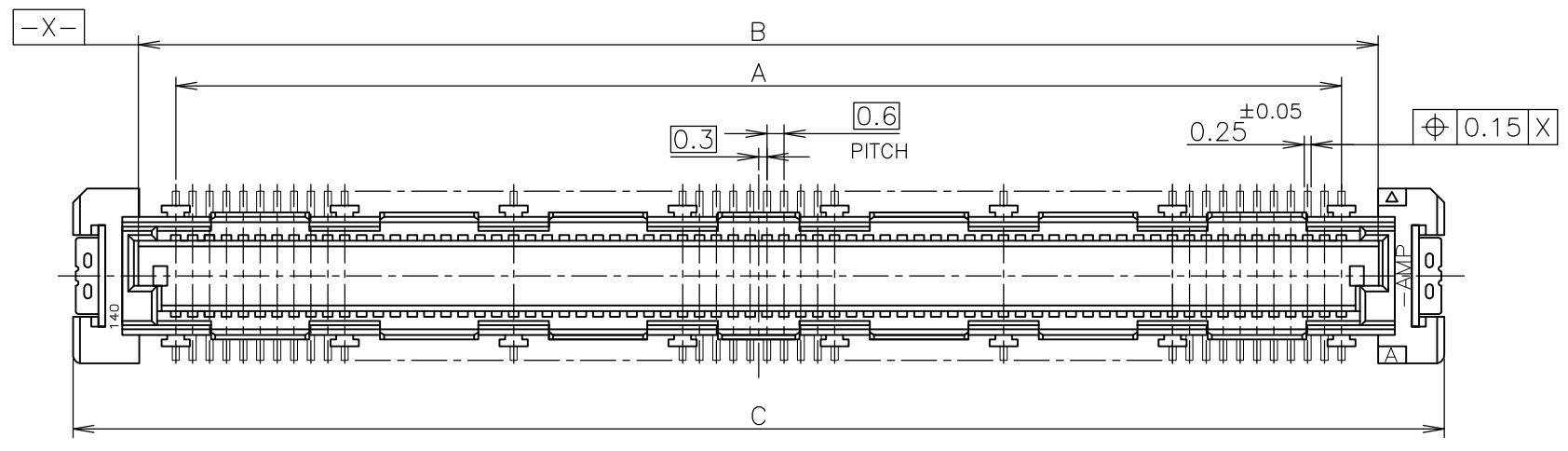
NOT the LATEST REVISION

EMBOSS ASSY
FH 0.6BTB CONNECTOR
PLUG 4H STD TYPE

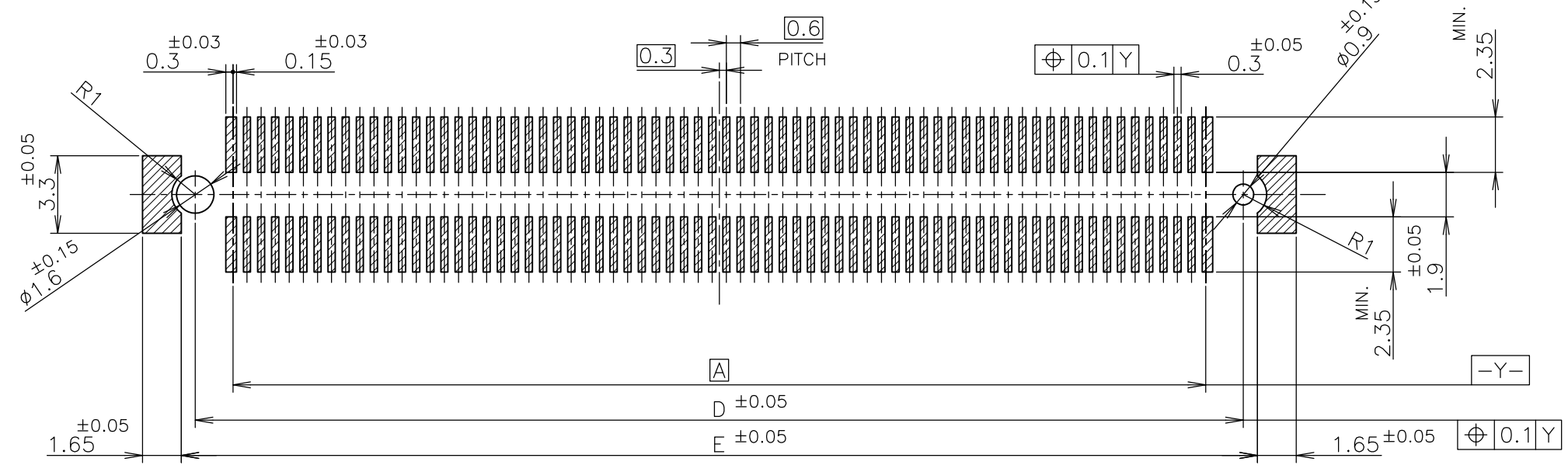
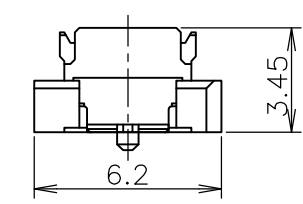
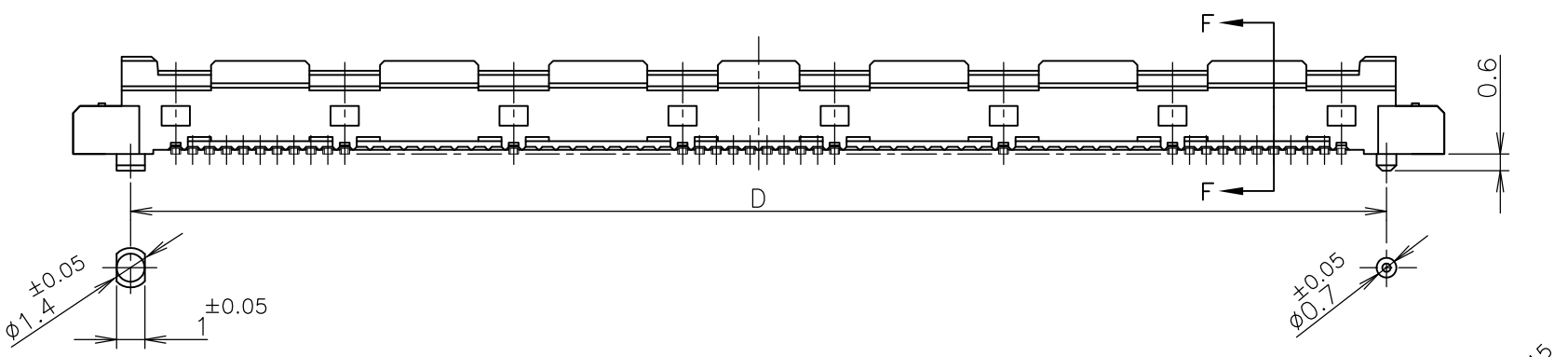
SCALE 1:1 SHEET 1 OF 2 REV E

THIS DRAWING IS UNPUBLISHED. RELEASED FOR PUBLICATION JUN ,1996.
 © COPYRIGHT 1996 BY TYCO ELECTRONICS CORPORATION. ALL RIGHTS RESERVED.

LOC	DIST	REVISIONS					
J		P	LTR	DESCRIPTION	DATE	DWN	APVD
				SEE SHEET 1			



F-F
(SCALE 8:1)



REFERENCE P.C.BOARD LAYOUT

△ MATERIAL ; HOUSING : HIGH TEMP THERMO PLASTIC
 UL94V-0
 CONTACT : COPPER ALLOY
 △ FINISH ; UNDER PL Ni 0.0013mm MIN ALL OVER.
 CONTACT AREA 0.0002 MIN Au PL.
 SOLDERING AREA 0.001 MIN Sn-Pb

ACTIVE	AVAILABLE	51.8	50.6	54.7	50	47.4	160
ACTIVE	AVAILABLE	45.8	44.6	48.7	44	41.4	140
OBSOLETE	NOT AVAILABLE	39.8	38.6	42.7	38	35.4	120
ACTIVE	AVAILABLE	33.8	32.6	36.7	32	29.4	100
OBSOLETE	NOT AVAILABLE	30.8	29.6	33.7	29	26.4	90
OBSOLETE	NOT AVAILABLE	27.8	26.6	30.7	26	23.4	80
ACTIVE	AVAILABLE	24.8	23.6	27.7	23	20.4	70
ACTIVE	AVAILABLE	21.8	20.6	24.7	20	17.4	60
ACTIVE	AVAILABLE	18.8	17.6	21.7	17	14.4	50
OBSOLETE	NOT AVAILABLE	15.8	14.6	18.7	14	11.4	40
OBSOLETE	NOT AVAILABLE	12.8	11.6	15.7	11	8.4	30
STATUS	TOOLING STATUS	E	D	C	B	A	POS

THIS DRAWING IS A CONTROLLED DOCUMENT.		DWN		Tyco Electronics Corporation	
DIMENSIONS: 单位: 耗 mm		CHK		Tyco Electronics Corporation	
TOLERANCES UNLESS OTHERWISE SPECIFIED: 一般公差		APVD		Kawasaki, Japan	
0 PLC ± 0.3		PRODUCT SPEC 製品規格		NAME 名称	
1 PLC ± 0.3		APPLICATION SPEC 取付適用規格		EMBOSS ASSY	
2 PLC ± 0.3		WEIGHT		FH 0.6BTB CONNECTOR	
3 PLC ± 0.3		SIZE		PLUG 4H STD TYPE	
4 PLC ± 0.3		CAGE CODE		A300779	
ANGLES ± 3'		DRAWING NO 番号		G-353183	
FINISH 仕上		RESTRICTED TO		SCALE 尺度 4:1	
△ 1		CUSTOMER DRAWING		SHEET 2 OF 2	
△ 2				REV E	