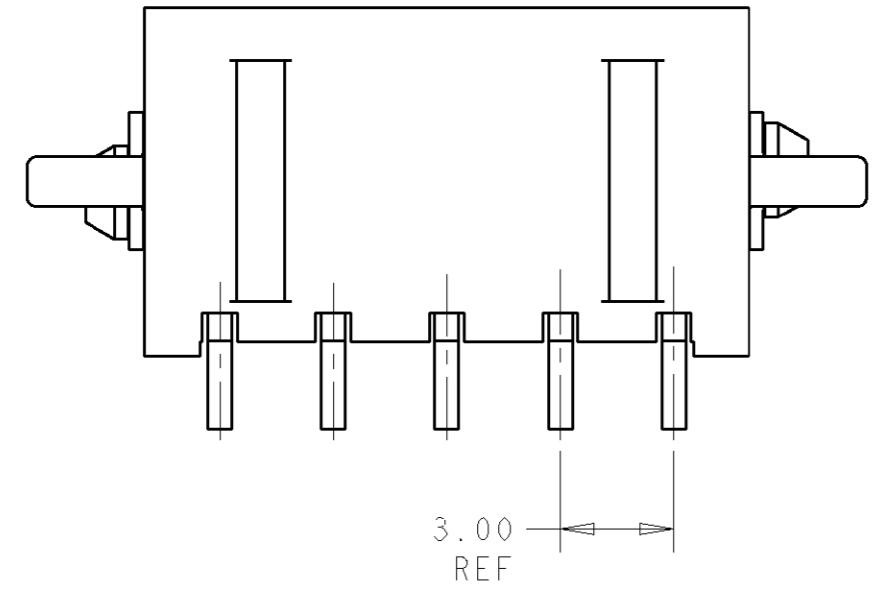
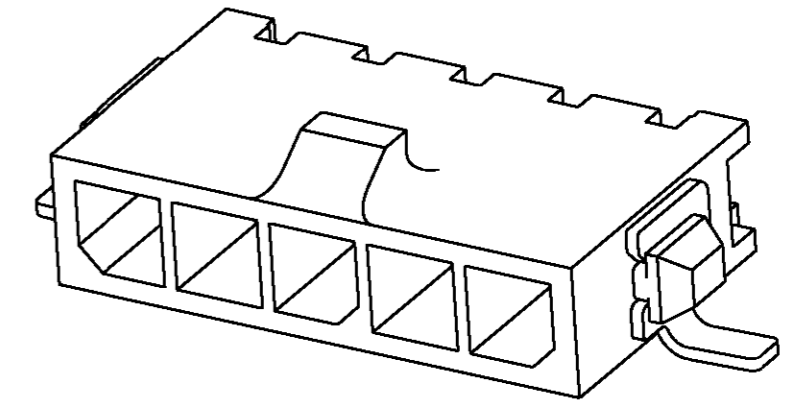
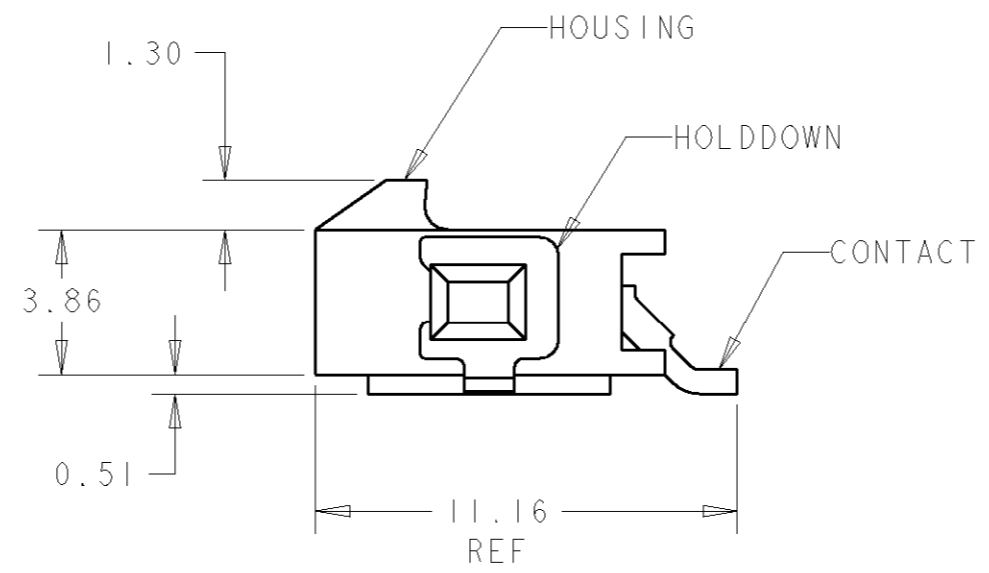
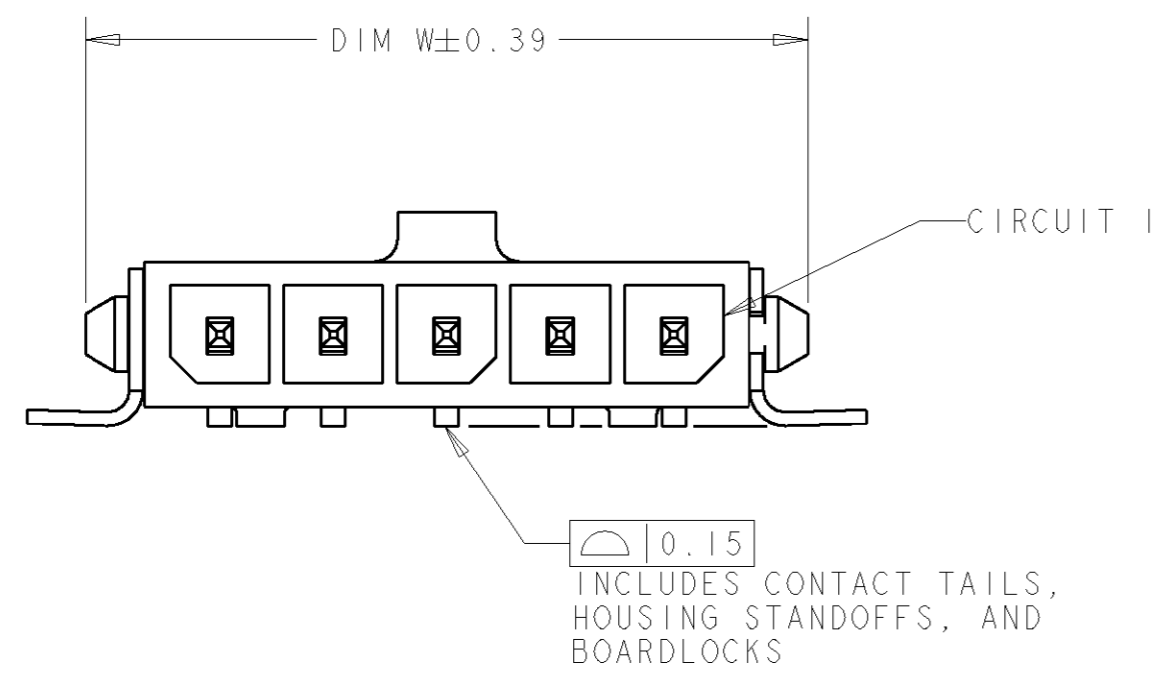
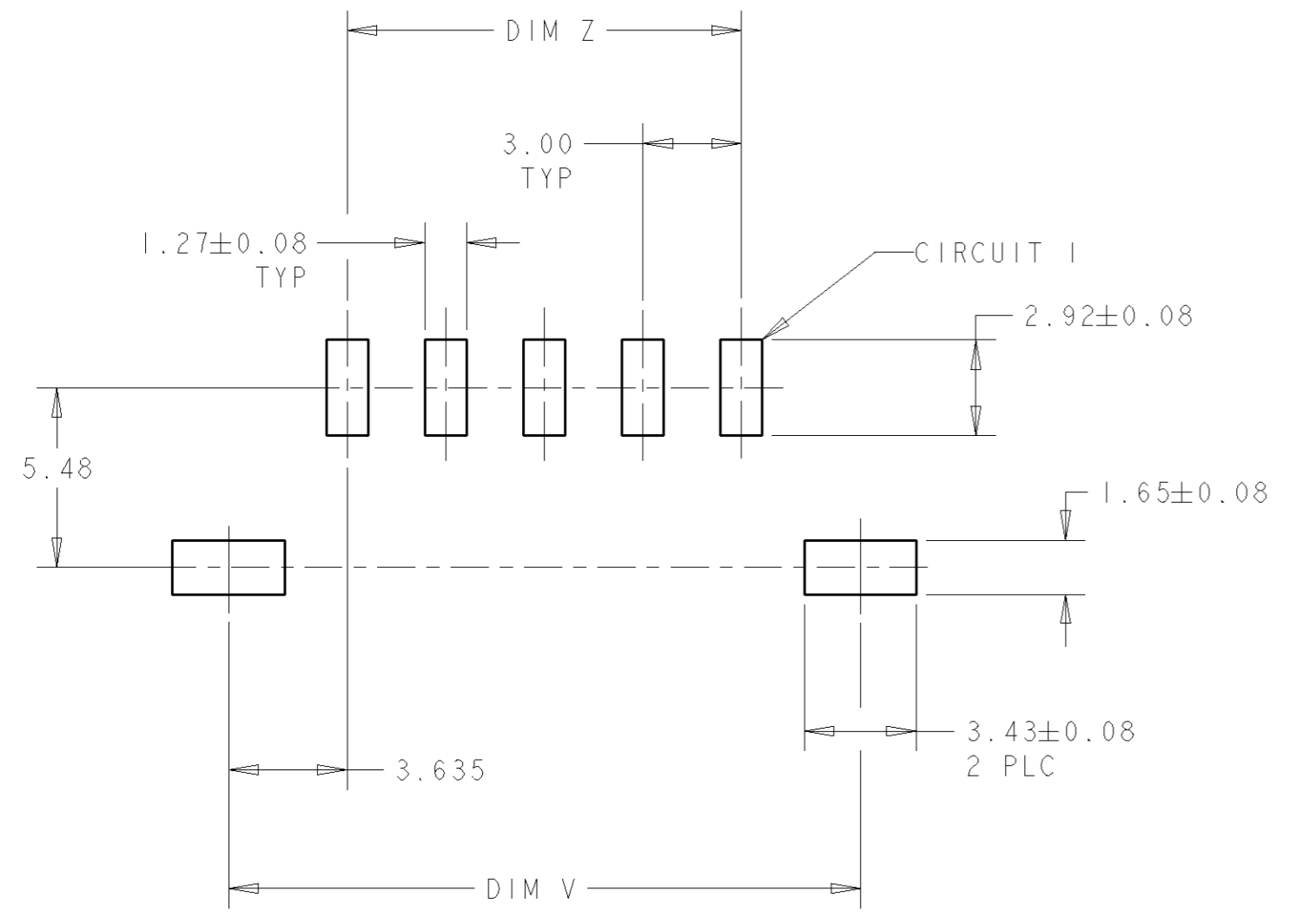


THIS DRAWING IS UNPUBLISHED. RELEASED FOR PUBLICATION .19
 © COPYRIGHT 19 BY AMP INCORPORATED. ALL RIGHTS RESERVED.

LOC	DIST	REVISIONS					
CM	00	P	LTR	DESCRIPTION	DATE	DWN	APVD
		A		REVISED PER 063B-0047-02	04-FEB-02	KW	CJ

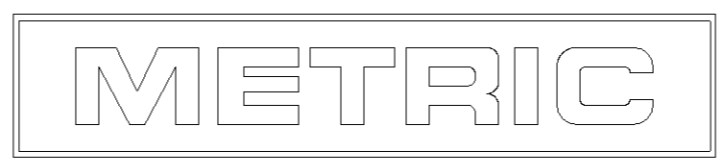


- 1 MATERIAL: CONTACTS - BRASS
HOUSING - UL 94V-0 RATED HIGH TEMP NYLON, COLOR BLACK.
HOLDDOWNS: - PHOSPHOR BRONZE.
- 2 PLATING: CONTACTS - 0.76µm MINIMUM GOLD ON MATING END,
2.54µm MINIMUM TIN LEAD ON SOLDER TAILS, BOTH OVER
1.27µm MINIMUM NICKEL.
HOLDDOWNS: 2.54µm MINIMUM TIN-LEAD OVER 1.27µm MINIMUM NICKEL.
- 4 RECOMMENDED PC BOARD THICKNESS OF 1.57.



33.00	40.41	40.00	12	1-1445100-2
30.00	37.41	37.00	11	1-1445100-1
27.00	34.41	34.00	10	1-1445100-0
24.00	31.27	31.00	9	1445100-9
21.00	28.41	28.00	8	1445100-8
18.00	25.41	25.00	7	1445100-7
15.00	22.41	22.00	6	1445100-6
12.00	19.41	19.00	5	1445100-5
9.00	16.41	16.00	4	1445100-4
6.00	13.41	13.00	3	1445100-3
3.00	10.41	10.00	2	1445100-2
DIM Z	DIM V	DIM W	NO. OF POSN	PART NUMBER

PCB LAYOUT COMPONENT SIDE 4



THIS DRAWING IS A CONTROLLED DOCUMENT FOR AMP INCORPORATED. IT IS SUBJECT TO CHANGE AND THE CONTROLLING ENGINEERING ORGANIZATION SHOULD BE CONTACTED FOR THE LATEST REVISION.		DWN J.ROOT 09OCT2000	Tyco Electronics Harrisburg, PA 17105-3608
DIMENSIONS: mm		CHK K. WHITAKER 17-APR-2001	
TOLERANCES UNLESS OTHERWISE SPECIFIED:		APVD C. JONES 17-APR-2001	
0 PLC ± 1 PLC ± 2 PLC ±0.13 3 PLC ± 4 PLC ± ANGLES ± FINISH -		NAME RIGHT ANGLE SURFACE MNT HEADER ASSY, 0.76 MIC GOLD CONTACTS, W/SURF MOUNT HOLDDOWNS, SGL ROW, MICRO MATE-N-LOK™ SIZE A2 CAGE CODE 00779 DRAWING NO 1445100	
MATERIAL		PRODUCT SPEC	SCALE 5:1 SHEET 1 OF 1 REV A
		APPLICATION SPEC	
		WEIGHT	
		CUSTOMER DRAWING	