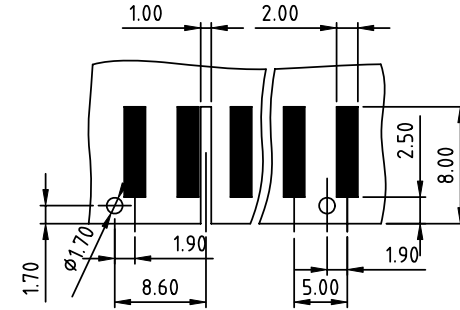
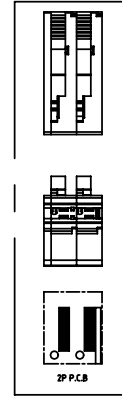
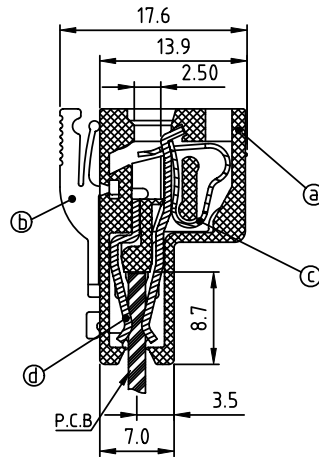
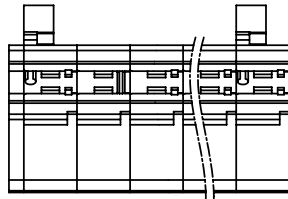
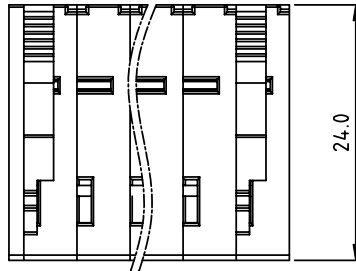
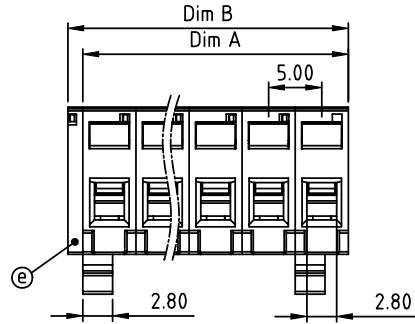


PRODUCT NUMBER	PITCH
NDxx70x000J0G	5.00 mm



RECOMMENDED P.C.B LAYOUT
TOP VIEW

Material:

- Item (a) Insulator (Body): Thermoplastic (UL94V-0)
- Item (b) Insulator (Lever): Thermoplastic (UL94V-0) Orange (RAL2001/P)
- Item (c) Spring clamp: Stainless Steel
- Item (d) Female Contact: PhBz(CuSn), Tin plated
- Item (e) Insulator (Cover): Thermoplastic (UL94V-0)

Electrical cULus

- Voltage rating: 300VAC
- Current rating: 8A
- Solid wire(AWG): 16-26
- Stranded wire(AWG): 16-26
- Wire strip length: 7-8mm
- Withstanding Voltage: 1.6KV
- Size of the PCB: 1.6±0.2mm
- Operating temperature: -40°C to +115°C

DIMENSION

Dim A	NX5.00
Dim B	NX5.00+1.40

N=Number of poles

Poles	Tolerance
2p-6p	±0.15
7p-12p	±0.20
13p-18p	±0.30
19p-24p	±0.35

PART NO.: ND xx 7 0 x 0 00J0 G

- | | | | | | |
|---------------|----------|-------|-------------------|-----------------|-----------|
| End stackable | 0 | Color | Black (RAL9005) | RoHS compliant | (lead<4%) |
| No. of poles | 2 | | Red (RAL3001/D) | In copper Alloy | |
| 02 | 2 poles | 3 | Orange(RAL2011/P) | | |
| 03 | 3 poles | 4 | Yellow(RAL1018/A) | | |
| ... | ... | 5 | Green(RAL6018/T) | | |
| 24 | 24 poles | 6 | Blue (RAL5015/A) | | |
| | | 8 | Grey(RAL7035/D) | | |
| | | 9 | White(RAL1102) | | |
| | | C | Green(RAL6018/U) | | |

mat'l. code		surface ASME Y14.5	tolerance ASME Y14.5	projection	product family TERMINAL BLOCK
ltr ecn no dr date		tolerances unless otherwise specified		MM	title TERMINAL BLOCK
		angles	X.±0.5		scale
		X'±1"	X.XX±0.1		dwg no NDxx70x000J0G
		dr	EVIN ZHONG 052014	FCI	sheet 1 of 1 size A4
		enr	EVIN ZHONG 052014		CUSTOMER Drawing
		chr	HANKE FENG 052014		
		appd	SHI JUN 052014		
sheet index	revision sheet	A	1		