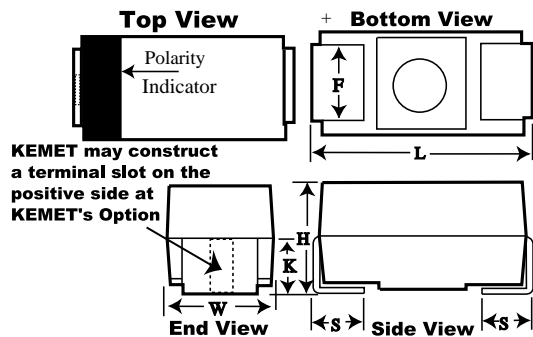


**KEMET Part Number: B45196L0107K409** **Obsolete**  
(T495D107K004ZTA800)

B45196L, Tantalum, MnO2 Tantalum, 100 uF, 10%, 4 V, SMD, Molded, Automotive, 800 mOhms, 7343, Height Max = 3.1mm



#### Dimensions

Footprint	7343
L	7.3mm +/-0.3mm
W	4.3mm +/-0.3mm
H	2.8mm +/-0.3mm
S	1.3mm +/-0.3mm
F	2.4mm +/-0.1mm
K	1.8mm TYP

#### Packaging Specifications

<b>Packaging:</b>	T&R, 178mm
<b>Packaging Quantity:</b>	750

#### General Information

<b>Supplier:</b>	KEMET
<b>Series:</b>	B45196L
<b>Dielectric:</b>	MnO2 Tantalum
<b>Style:</b>	SMD Chip
<b>Description:</b>	SMD, Molded, Automotive
<b>Features:</b>	Automotive
<b>RoHS:</b>	Yes
<b>Termination:</b>	Tin
<b>Qualifications:</b>	AEC-Q200
<b>AEC-Q200:</b>	Yes
<b>Miscellaneous:</b>	AEC-Q200
<b>Notes:</b>	Obsolete

#### Specifications

<b>Capacitance:</b>	100 uF
<b>Capacitance Tolerance:</b>	10%
<b>Voltage DC:</b>	4 VDC (85C), 2.68 VDC (125C)
<b>Temperature Range:</b>	-55/+125C
<b>Rated Temperature:</b>	85C
<b>Dissipation Factor:</b>	8%
<b>Failure Rate:</b>	N/A
<b>Resistance:</b>	0.8 Ohms (100kHz)
<b>Current:</b>	129.1 mAmps (25C), 116.2 mAmps (85C), 51.6 mAmps (125C)
<b>Leakage Current:</b>	4 uA