

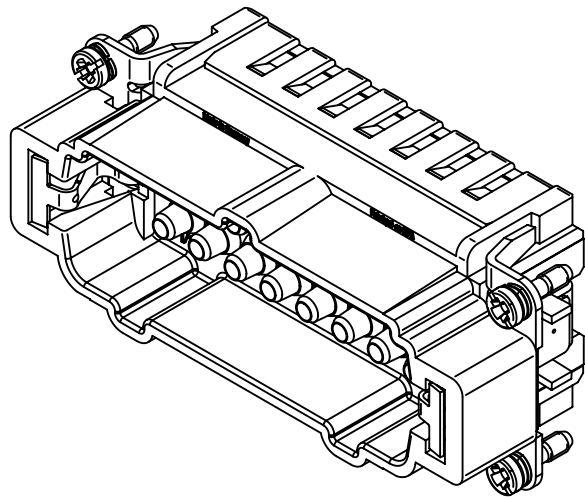
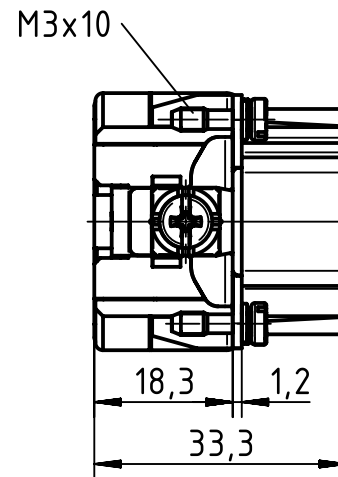
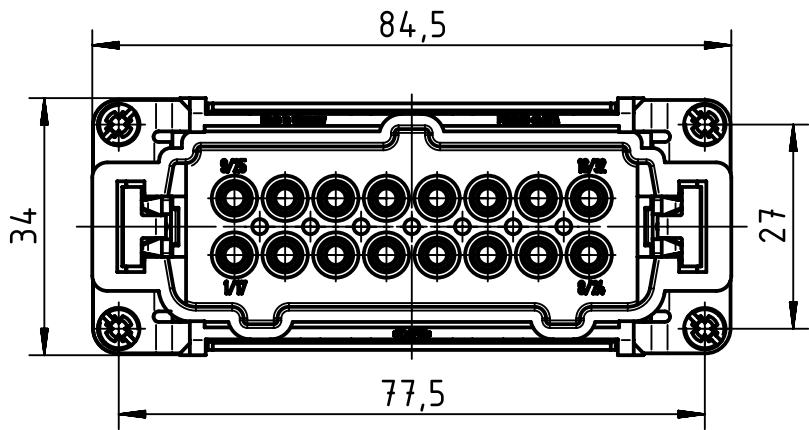
1 2 3 4 5 6

A

B

C

D



	All Dimensions in mm Original Size DIN A4		Scale 1:1	Free size tol.		Ref.	
						Sub.	
	All rights reserved		Created by FINKEV	Inspected by SCHMIDTM	Standardisation TIEMANNA	Date 2013-05-17	
	Department EL PD - DE					State Final Release	
HARTING Electric GmbH & Co. KG D-32339 Espelkamp		Title Han 16E HMC-M-c				Doc-Key / ECM-Nr. 100527289/UGD/002/A 500000062216	
		Type TB	Number 09 33 216 2602			Rev. A	Page 1/1