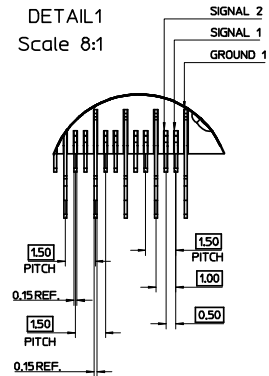
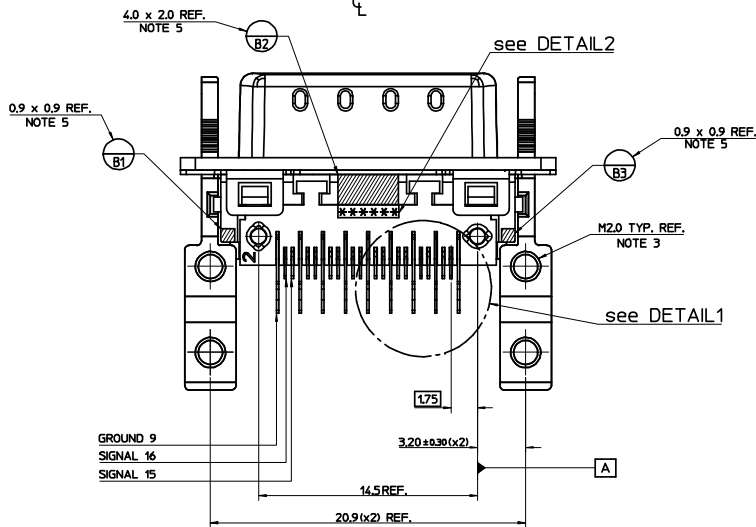
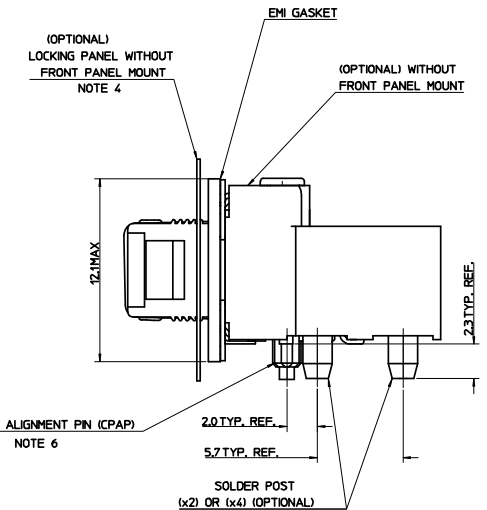
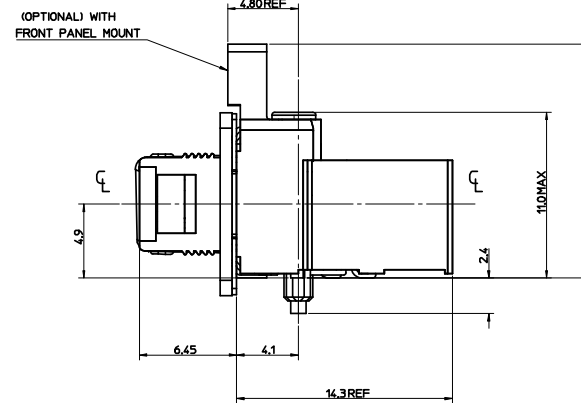
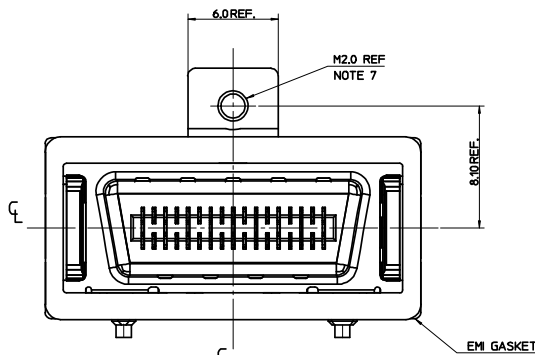
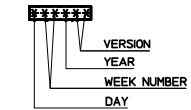


DETAIL1  
Scale 8:1



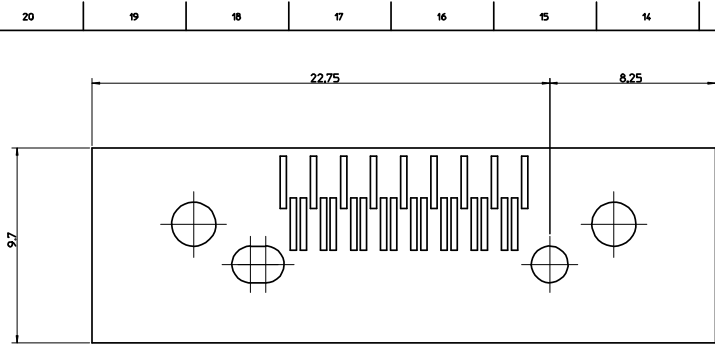
DETAIL2  
Scale 6:1



NOTES:

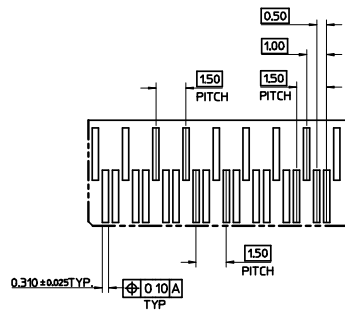
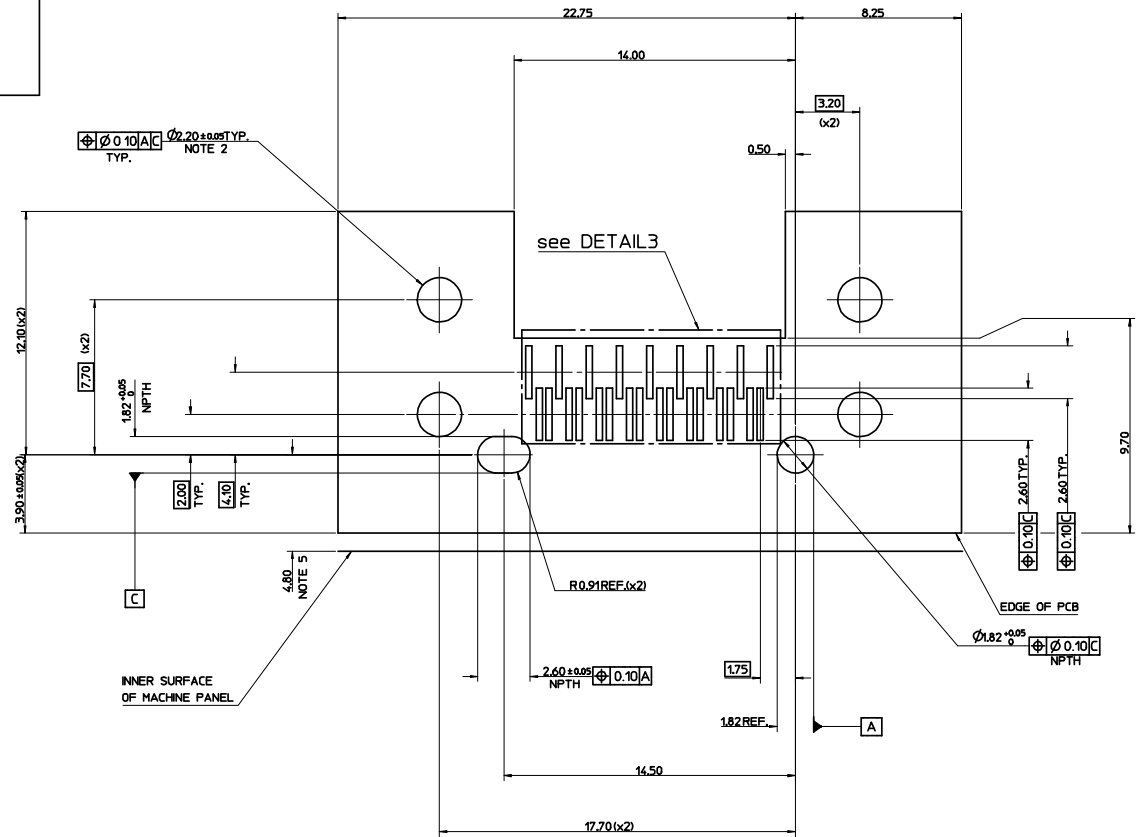
1. PRODUCT SPECIFICATION PS-91525-001
2. PACKAGING SPECIFICATION PK-91525-002 (TRAY) PK-91525-004 (TAPE AND REEL)
3. SCREW THREAD M2.0 X 0.4 PITCH TAPED THROUGH, RECOMMENDED SCREW M2 X 0.4 PITCH, LENGTH 8mm, WITH A PAN HEAD, RECOMMENDED TORQUE 0.3 Nm.
4. LOCKING PANEL (191532) ONE PER CONNECTOR ORDER SEPARATE SEE SALES DRAWING SD-91532-001
5. PCB DATUM B = B1 + B2 + B3
6. CPAP USED TO ALIGN THE SOLDER TAILS WITH THE PCB SOLDER PADS.
7. SCREW THREAD M2.0 X 0.4 PITCH TAPED THROUGH, RECOMMENDED SCREW M2 X 0.4 PITCH, LENGTH 5mm WITH A PAN HEAD, RECOMMENDED TORQUE 0.3Nm.
8. RECPACLE CONTACTS 127um MIN NICKEL ALL OVER CONTACT AREA 0.10um MIN GOLD OVER 0.76um MIN PALLADIUM NICKEL SMT AREA 3um MIN TIN.
9. FOR 12X PARTS PLEASE REFER TO SD-91525-004

MOD TO SUB HOUSING EC NO: E2008-0258 DRAWN BY: DRWNLK/TERMAN CHKD: 2008/05/02 APPROV: BMAGUIRE 2008/05/06	QUALITY SYMBOLS =0 =0	GENERAL TOLERANCES (UNLESS SPECIFIED)		DIMENSION STYLE MM ONLY		SCALE 6:1	DESIGN UNITS METRIC	THIRD ANGLE PROJECTION
		4 PLACES ±	---	mm	INCH	DRAWN BY DWALSH	DATE 17/01/05	TITLE LANELINK F CONN 4X LATCH W/O EMI SHIELD OPTION
		3 PLACES ±	---	mm	INCH	CHECKED BY KDELANEY	DATE 20/01/05	MATERIAL NO. SD-91525-006
		2 PLACES ±	0.10	mm	INCH	APPROVED BY JWALLACE	DATE 28/01/05	DOCUMENT NO. SD-91525-006
1 PLACE ±	0.2	mm	INCH	DRAFT WHERE APPLICABLE MUST REMAIN WITHIN DIMENSIONS		SEE SHEET 4		
ANGULAR ± 2°				SIZE 1		THIS DRAWING CONTAINS INFORMATION THAT IS PROPRIETARY TO MOLEX INCORPORATED AND SHOULD NOT BE USED WITHOUT WRITTEN PERMISSION		
						MOLEX INCORPORATED		
						SHEET NO. 1 OF 4		



RECOMMENDED PCB LAYOUT  
(WITHOUT REAR MOUNTING HOLES)

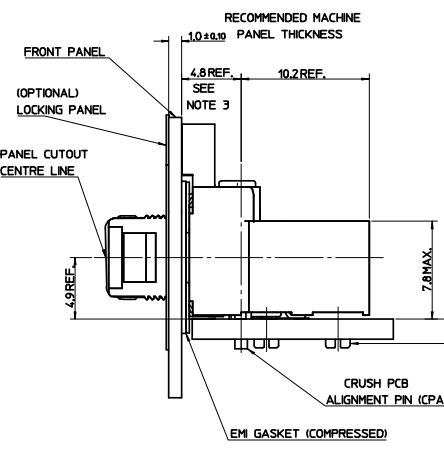
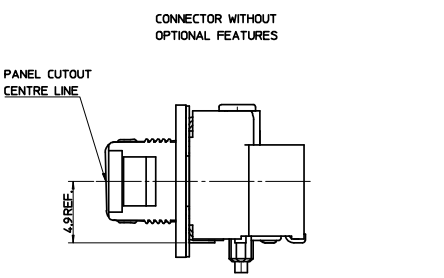
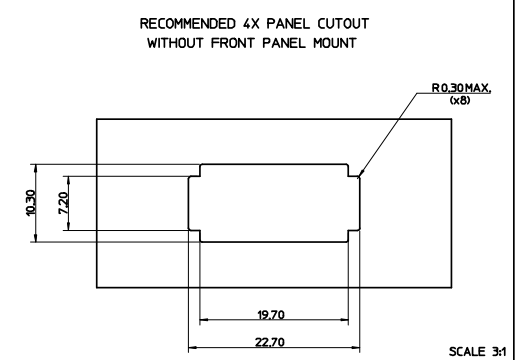
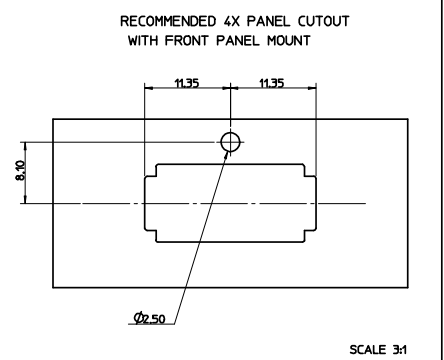
RECOMMENDED PCB LAYOUT  
(WITH REAR MOUNTING HOLES)



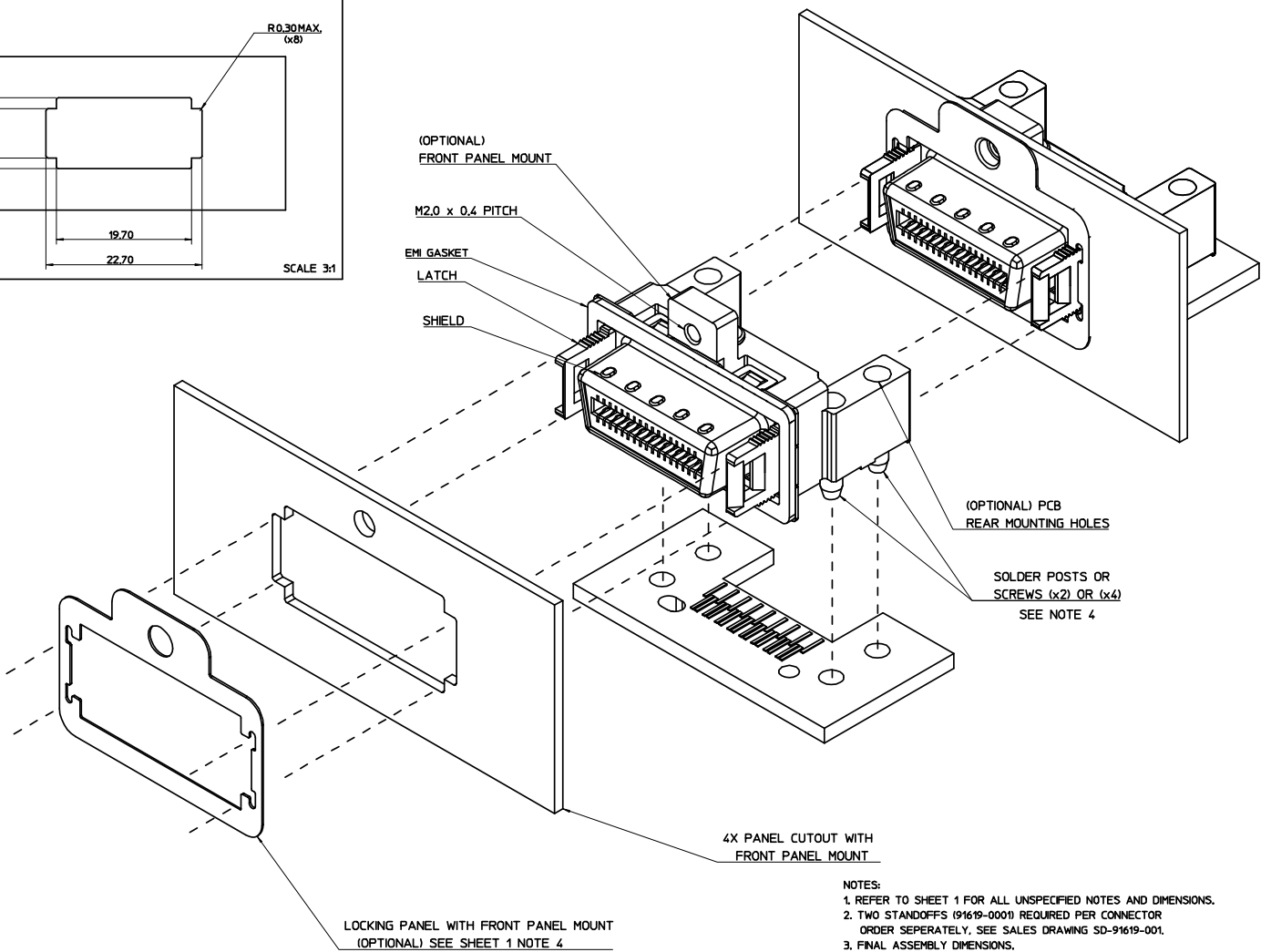
DETAIL3  
Scale 8:1

- NOTES:
1. AREA OUTLINED TO BE FREE OF COMPONENTS
  2. THROUGH HOLE IS PLATED  
ALL HOLE SIZES ARE FINISHED HOLE SIZES
  3. RANGE OF PCB THICKNESS 1.6 TO 4.0mm INCL.
  4. FOR ANY UNSPECIFIED NOTES OR DIMENSIONS, SEE SHEET 1
  5. THE DESIGN CAN ACCOMMODATE DIFFERENT VALUES OF THIS DIMENSION BY VARYING THE EMI GASKET THICKNESS. FOR FURTHER INFORMATION PLEASE CONTACT LOCAL SALES OFFICE.

SEE SHEET 1 IEC NO: E2008-0428 DRAWN BY: DRINKLIERMAN CHKD: 2008/05/02 APPR: BMAGUIRE 2008/05/06	QUALITY SYMBOLS $\nabla=0$ $\nabla=0$	GENERAL TOLERANCES (UNLESS SPECIFIED)		DIMENSION STYLE		SCALE	DESIGN UNITS	THIRD ANGLE PROJECTION
		mm	INCH	MM ONLY		8:1	METRIC	
		4 PLACES	± 0.10	± 0.004	DRAWN BY	DATE	TITLE	
		3 PLACES	± 0.2	± 0.008	DWALSH	17/01/05	LANELINK F CONN	
		2 PLACES	± 0.10	± 0.004	CHECKED BY	DATE	4X LATCH W/O EMI SHIELD	
		1 PLACE	± 0.2	± 0.008	KDELANEY	20/01/05	OPTION	
		ANGULAR ± 2°		APPROVED BY	DATE	MOLEX INCORPORATED		
		DRAFT WHERE APPLICABLE MUST REMAIN WITHIN DIMENSIONS		JWALLACE	28/01/05	DOCUMENT NO. SD-91525-006		
		SEE SHEET 4		MATERIAL NO.		SHEET NO.		
		THIS DRAWING CONTAINS INFORMATION THAT IS PROPRIETARY TO MOLEX INCORPORATED AND SHOULD NOT BE USED WITHOUT WRITTEN PERMISSION		SIZE 1		2 OF 4		



(OPTIONAL) SCREW M2.0x0.4 PITCH LENGTH 8mm (x2) OR (x4)



- NOTES:
1. REFER TO SHEET 1 FOR ALL UNSPECIFIED NOTES AND DIMENSIONS.
  2. TWO STANDOFFS (91619-0001) REQUIRED PER CONNECTOR ORDER SEPARATELY. SEE SALES DRAWING SD-91619-001.
  3. FINAL ASSEMBLY DIMENSIONS.
  4. PCB RETENTION OPTIONS:  
2 OR 4 SCREWS, (4 FOR REAR MOUNT OPTION)  
2 OR 4 SOLDER POSTS, (4 FOR REAR MOUNT OPTIONS).
  5. RECOMMENDED SCREW THREAD M2 X 0.4 PITCH, LENGTH 8mm, WITH A PAN HEAD. RECOMMENDED TORQUE 0.3 Nm MAX.

SEE SHEET 1 IEC NO: E2008-0426 DRAWN: KIERMAN 2008/04/28 CHKD: 2008/05/02 APPR: BMAGUIRE 2008/05/06	QUALITY SYMBOLS ▽=0 ▽=0	GENERAL TOLERANCES (UNLESS SPECIFIED)		DIMENSION STYLE MM ONLY		SCALE 5:1	DESIGN UNITS METRIC	THIRD ANGLE PROJECTION
		4 PLACES ± --- ± --- 3 PLACES ± --- ± --- 2 PLACES ± 0.10 ± --- 1 PLACE ± 0.2 ± --- ANGULAR ± 2 °	mm INCH	DRAWN BY DWALSH DATE 17/01/05	CHECKED BY KDELANEY DATE 20/01/05	APPROVED BY JWALLACE DATE 28/01/05	MATERIAL NO. SEE SHEET 4	DOCUMENT NO. SD-91525-006
DRAFT WHERE APPLICABLE MUST REMAIN WITHIN DIMENSIONS		THIS DRAWING CONTAINS INFORMATION THAT IS PROPRIETARY TO MOLEX INCORPORATED AND SHOULD NOT BE USED WITHOUT WRITTEN PERMISSION						

