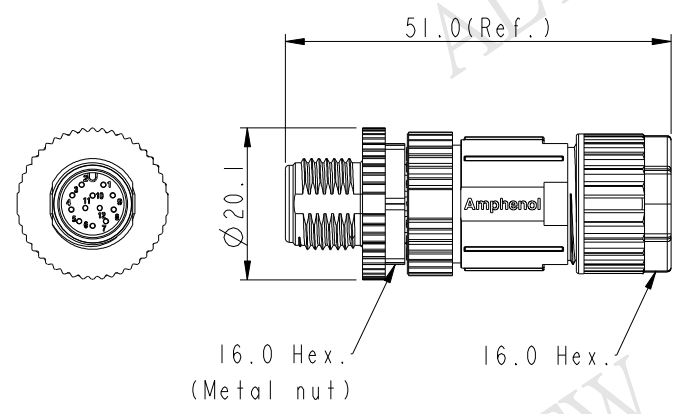
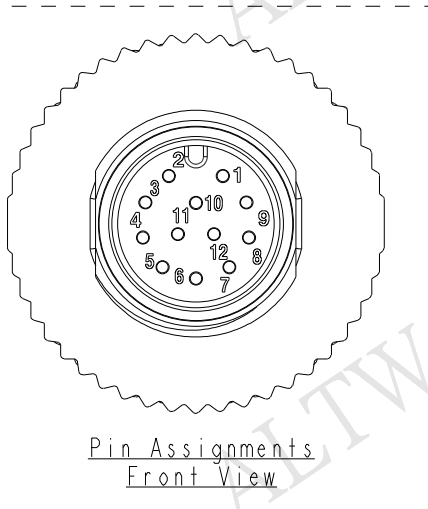
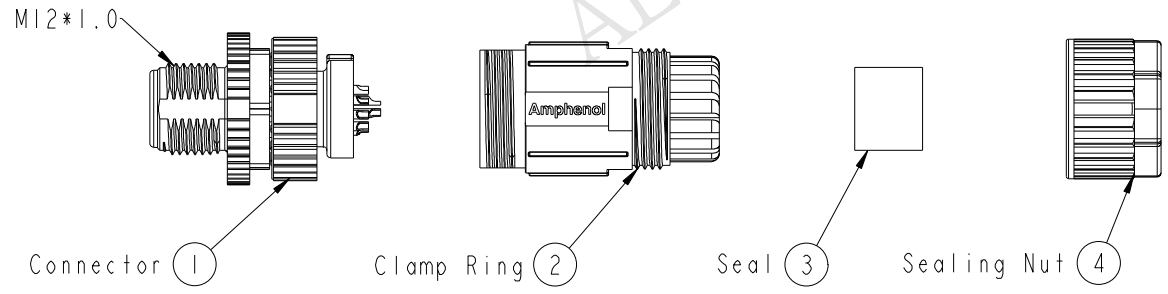


THIS DOCUMENT IS SUBJECT TO CHANGE WITHOUT NOTICE. IT IS CONFIDENTIAL AND A PROPERTY OF Amphenol LTW. DISCLOSURE TO THIRD PARTY HAS TO BE AUTHORIZED BY Amphenol LTW.

REV.	ECN NO.	DATE	SIGN	DESCRIPTION

ALTW
CONFIDENTIAL
2015-05-04
R&D DEPT.

ALTW
DCC. DEPT.
CONFIDENTIAL
2015.05.12
ISSUED



- Note:
- * Ⓞ Important Dimension To Check.
 - * Waterproof Rate: IP67
 - * Housing: Nylon, Black.
 - * Male Pin: Copper Alloy, Gold Plated.
 - * Nut: PBT+PC, Black.
 - * O-Ring: Silicon, Grey.
 - * Clamp Ring: Nylon, Black.
 - * Sealing Nut: PBT+PC, Black.
 - * Seal: Silicon, Grey.
 - * Seal For Cable OD: $\varnothing 4.0\text{mm} \sim \varnothing 8.0\text{mm}$
 - * Applicable Wire gauge (Stranded wire cross section) 26AWG~24AWG
 - * Mating Recommended tightening torque: 3~4 kgf.cm / 0.29~0.39 N.m
 - * Sealing-Nut Recommended tightening torque: 4~6 kgf.cm / 0.39~0.59 N.m
 - * Detailed applicable wire specifications may vary depending on the actual wire construction.

UNIT:mm		TITLE M12A Unshielded Assy 12Pin M Conn. M Pin			Amphenol LTW 安費諾亮泰企業股份有限公司	ITEM NO	DRAWN BY	DATE
		TOLERANCE .X ±0.25 .XX ±0.1 .XXX ±0.05 ANGLES ±1°	SCALE 1:1	SIZE A4		SHEET 1 OF 1	M12A-12BMMA-SL7001	Lu Di
REV. A	WC-REV. A.1	Ⓞ: Inspection item		CUSTOMER ALTW	DWG NO M12A-12BMMA-SL7001	CHECKED BY Joyy	DATE 2015-05-04	
					APPROVED BY Jimmy	DATE 2015-05-04		