

REVISIONS				
EC NO	DATE	REV	DESCRIPTION	CHANGER
	2016.07.26	A	INITIAL RELEASE.	DICK

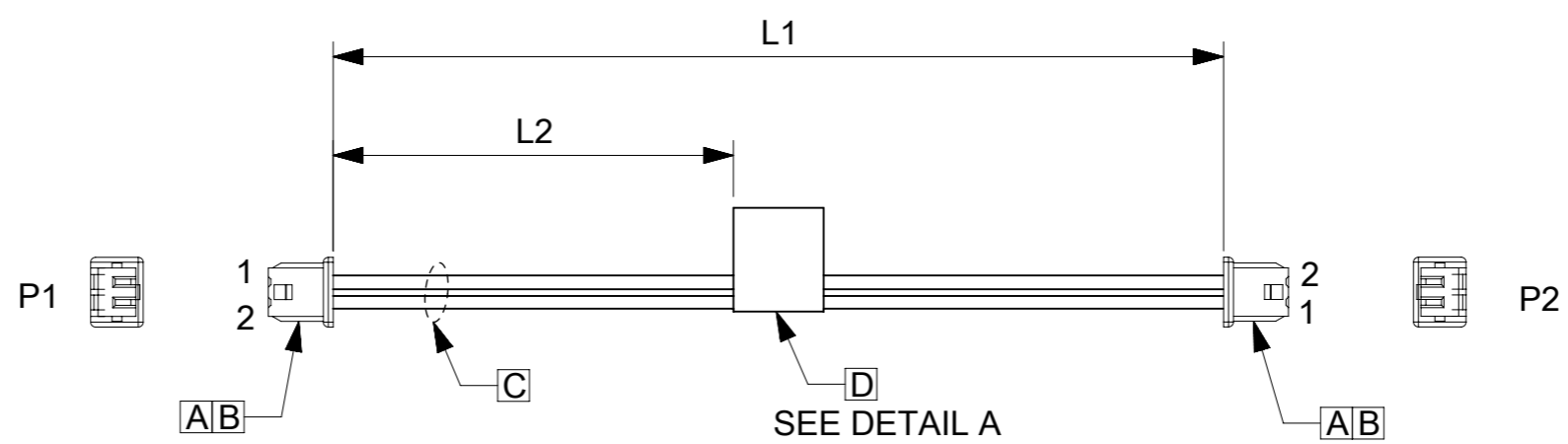
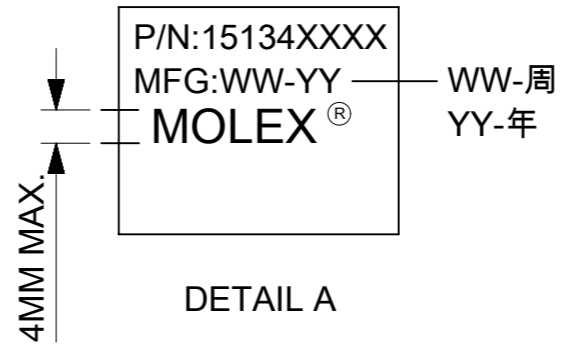


TABLE			
PART NUMBER	L1	L2	TITLE
151340200	50±6	20±5	Picoblade 2 Circuit 50MM
151340201	100±6	45±5	Picoblade 2 Circuit 100MM
151340202	150±8	70±5	Picoblade 2 Circuit 150MM
151340203	300±10	145±10	Picoblade 2 Circuit 300MM
151340205	450±10	220±10	Picoblade 2 Circuit 450MM
151340206	600±10	295±10	Picoblade 2 Circuit 600MM



- NOTES**
- THIS PRODUCT MUST MEET 2011/65/EU ROHS COMPLIANCE.  
此产品需符合 2011/65/EU ROHS环保要求。
  - ELECTRICAL PERFORMANCE REFER TO ES-000.  
电气特性参考ES-000.
  - LABEL TEXT MUST BE 2mm MAX. IN HEIGHT WITH ARIAL FONT.  
标签字高最大2mm,字体ARIAL.
  - STICK UL LABEL ON THE OUTSIDE CARTON.  
外箱上贴UL标签.

ITEM	DESCRIPTION	L(MM)	Q'TY
D	Blank label 12.7x35.5mm (WHT:12.7mm) HF		1
C	UL&CSA 1061/#28 STR BLK		A/R
B	1.25MM CRIMP REC TERMINAL		4
A	1.25 WtB Rec Hsg 2Ckt		2

WIRING CHART		
P1	P2	COLOR
1	2	BLACK
2	1	BLACK

<b>QUALITY SYMBOLS</b> FA = 0 FE = 0 FB = 0 FV = 0 FC = 0 FX = 0 FS = 0 FT = 0	THIS DRAWING CONTAINS INFORMATION THAT IS PROPRIETARY TO MOLEX ELECTRONIC TECHNOLOGIES, LLC AND SHOULD NOT BE USED WITHOUT WRITTEN PERMISSION				<b>mmolex®</b>  SEE TABLE	
	EC NO: 106943 DRWN: WLXIE CHK'D: DHUANG16 APPR: YXZOU	2016/07/25 2016/07/26 2016/07/27	GENERAL TOLERANCES (UNLESS SPECIFIED) ANGULAR TOL ± ° 4 PLACES ± 3 PLACES ± 2 PLACES ± 1 PLACE ± 0 PLACES ±	DIMENSION UNITS: MM SCALE: NTS DRWN BY: WLXIE DATE: 2016/07/11 CHK'D BY: DHUANG16 DATE: 2016/07/24 APPR BY: YXZOU		
	DRAFT WHERE APPLICABLE MUST REMAIN WITHIN DIMENSIONS		DRAWING SIZE: A3 THIRD ANGLE PROJECTION	SERIES: 201234 MATERIAL NUMBER: SEE TABLE CUSTOMER: GENERAL MARKET		
	RELEASE STATUS: P1 RELEASE DATE: 28.07.2016 02:47:07		DOCUMENT NUMBER: 2012341354 DOC TYPE: PSD DOC PART: 000 SHEET NUMBER: 1 OF 1			