
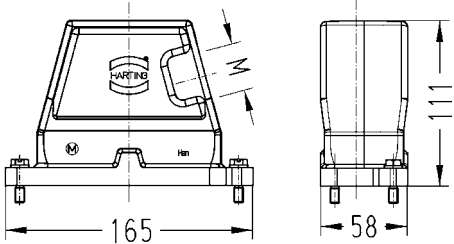

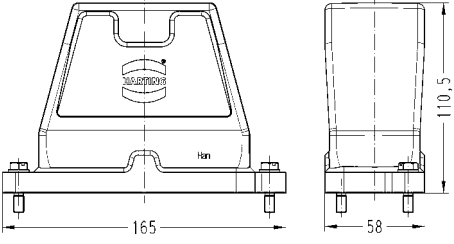

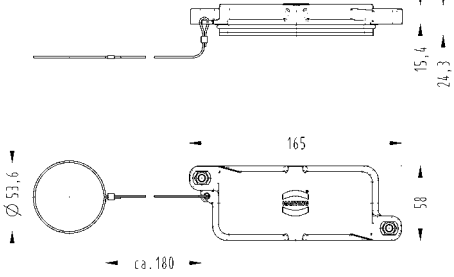

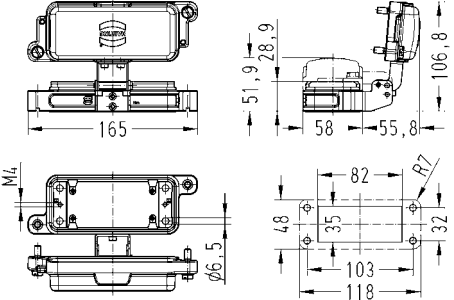



Identification	Cable entry	Part number	Drawing Dimensions in mm
<p>Han® HPR, Hoods, side entry, screw locking</p> 	<p>1xM25 1xM32 1xM40 1xM50</p>	<p>19 40 016 0511 19 40 016 0512 19 40 016 0513 19 40 016 0514</p>	
<p>Han® HPR, Hoods, without cable entry, screw locking</p> 		<p>09 40 016 0811</p>	
<p>Han® HPR, Protection cover for hoods, metal, toggle locking</p> <p>Han® HPR, Protection cover for hoods, metal, screw locking</p> 		<p>09 40 016 5404 09 40 016 5414</p>	
<p>Han® HPR, Bulkhead mounted housings, screw locking, with metal cover, open</p> 		<p>09 40 016 0317</p>	
<p>Han® HPR, Bulkhead mounted housings, toggle locking</p> 		<p>09 40 016 0301</p>	