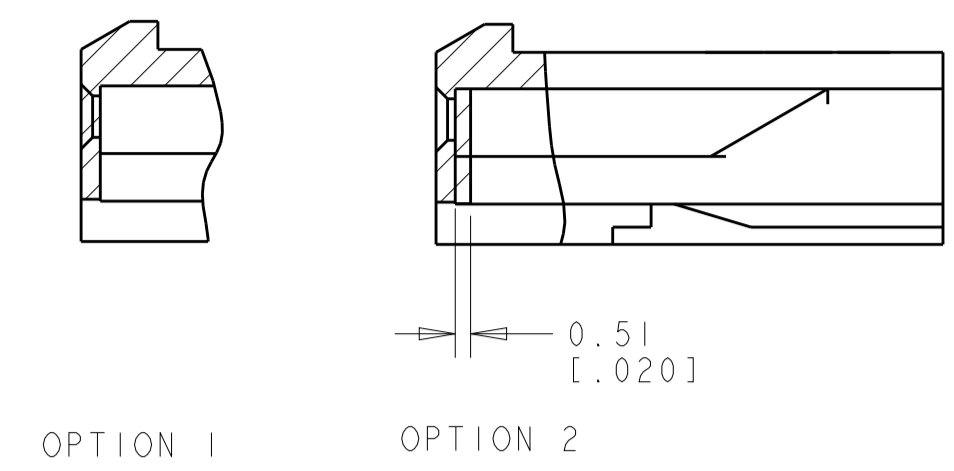
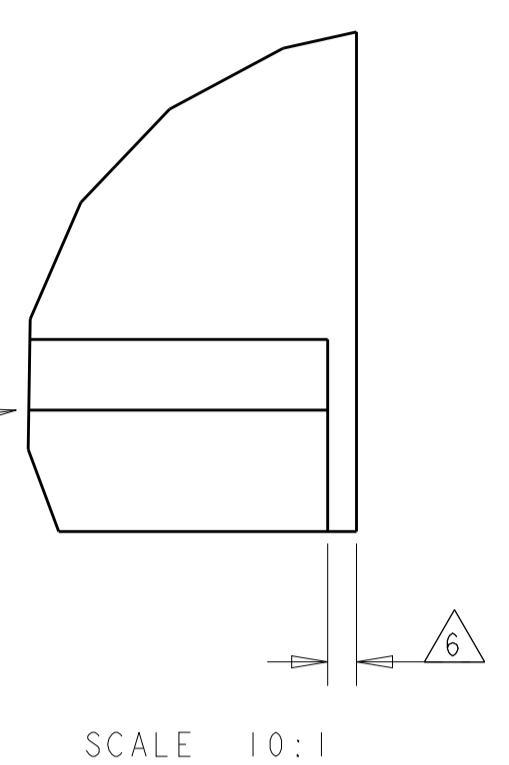
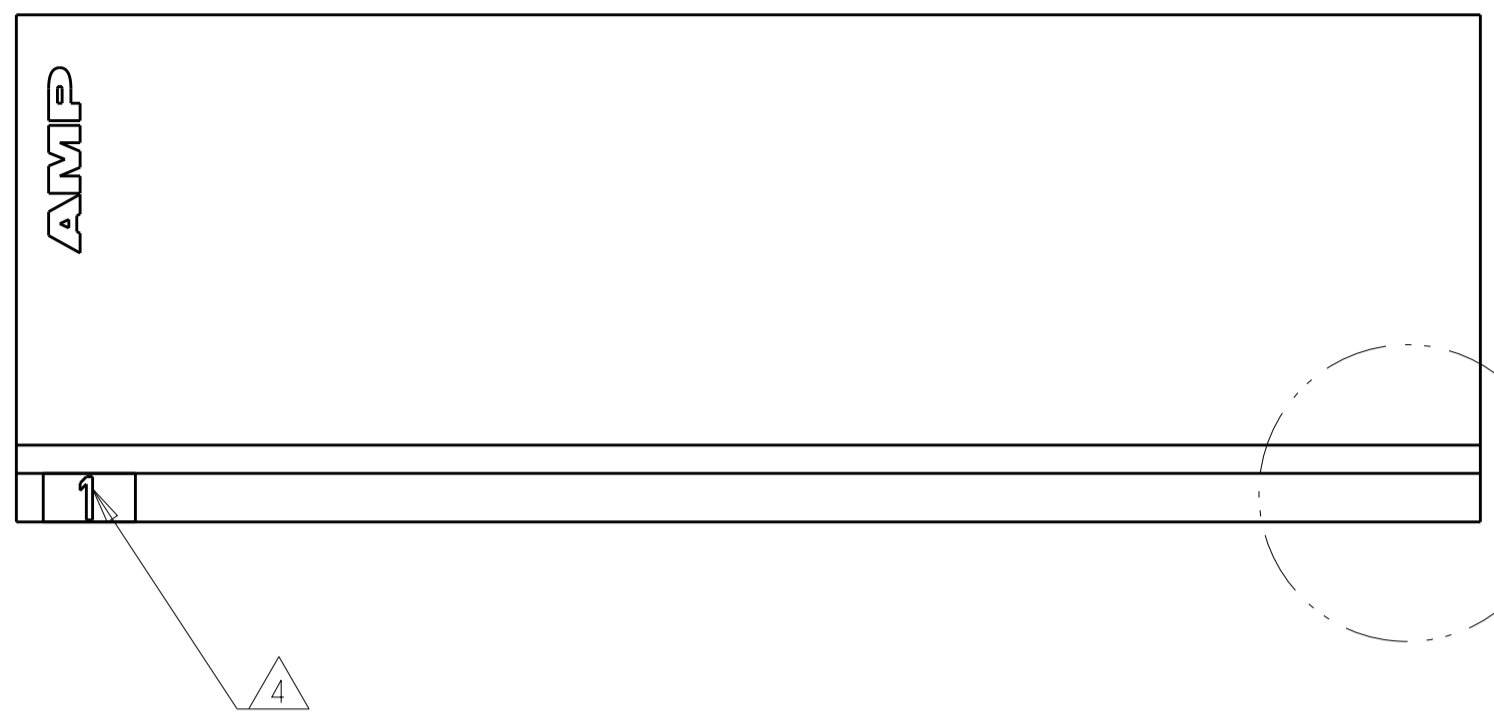
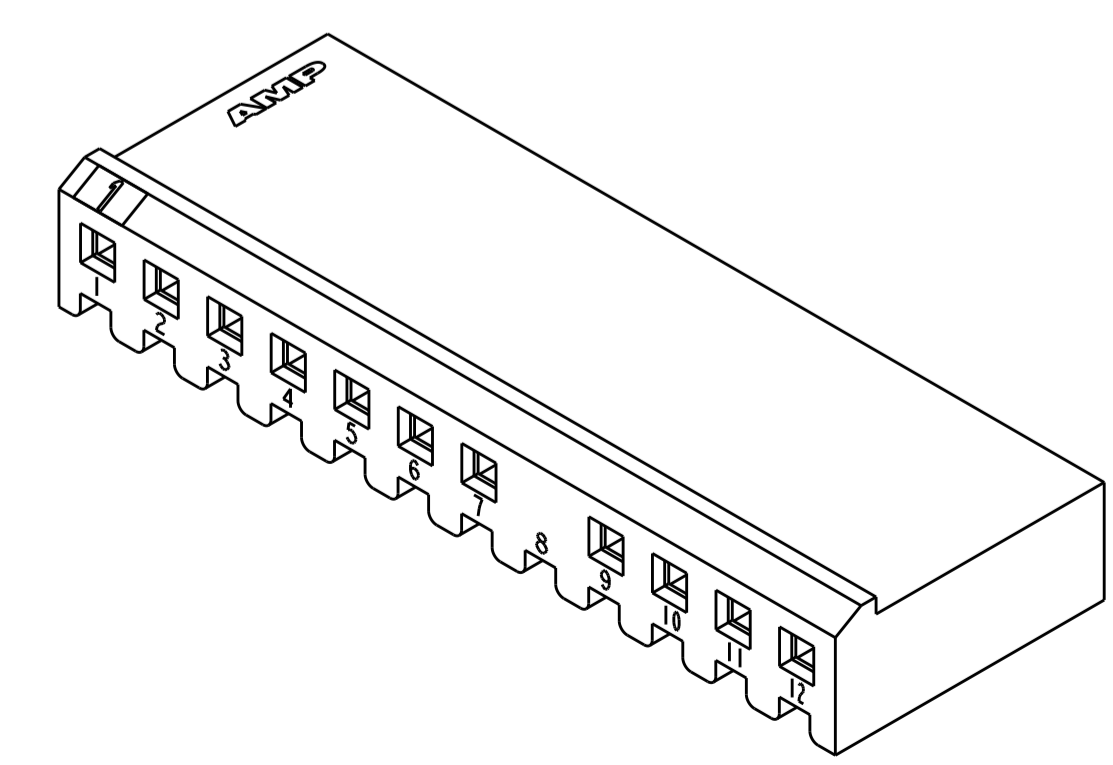
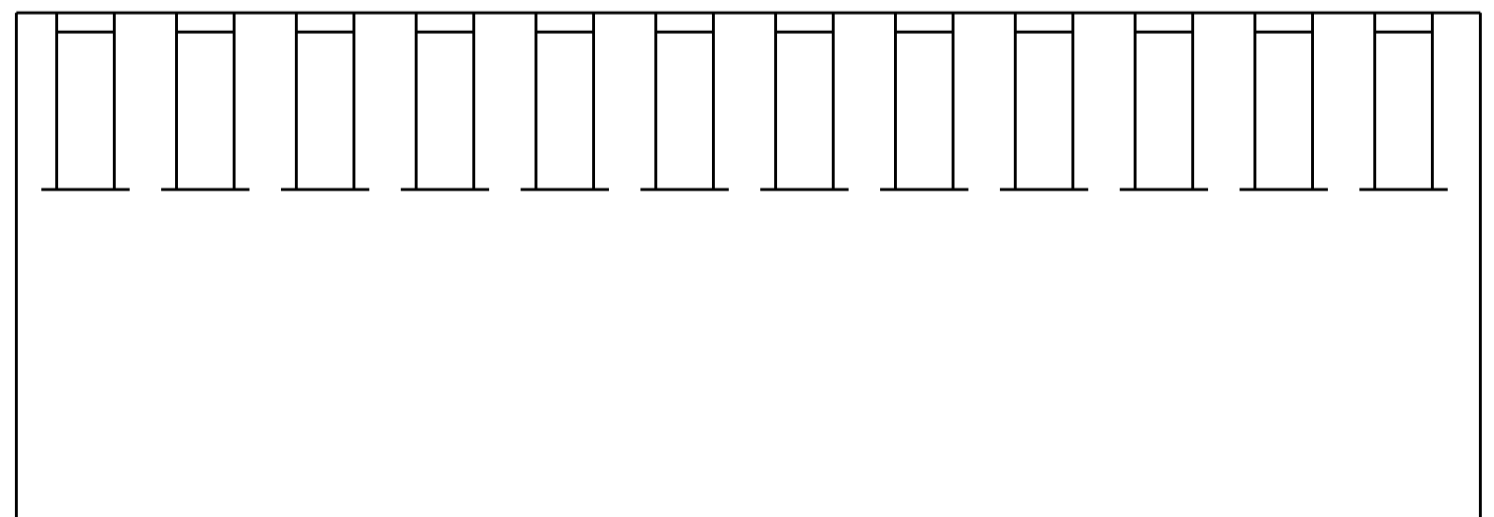
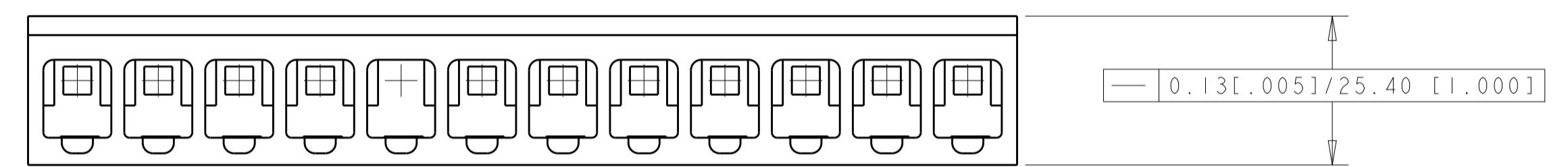
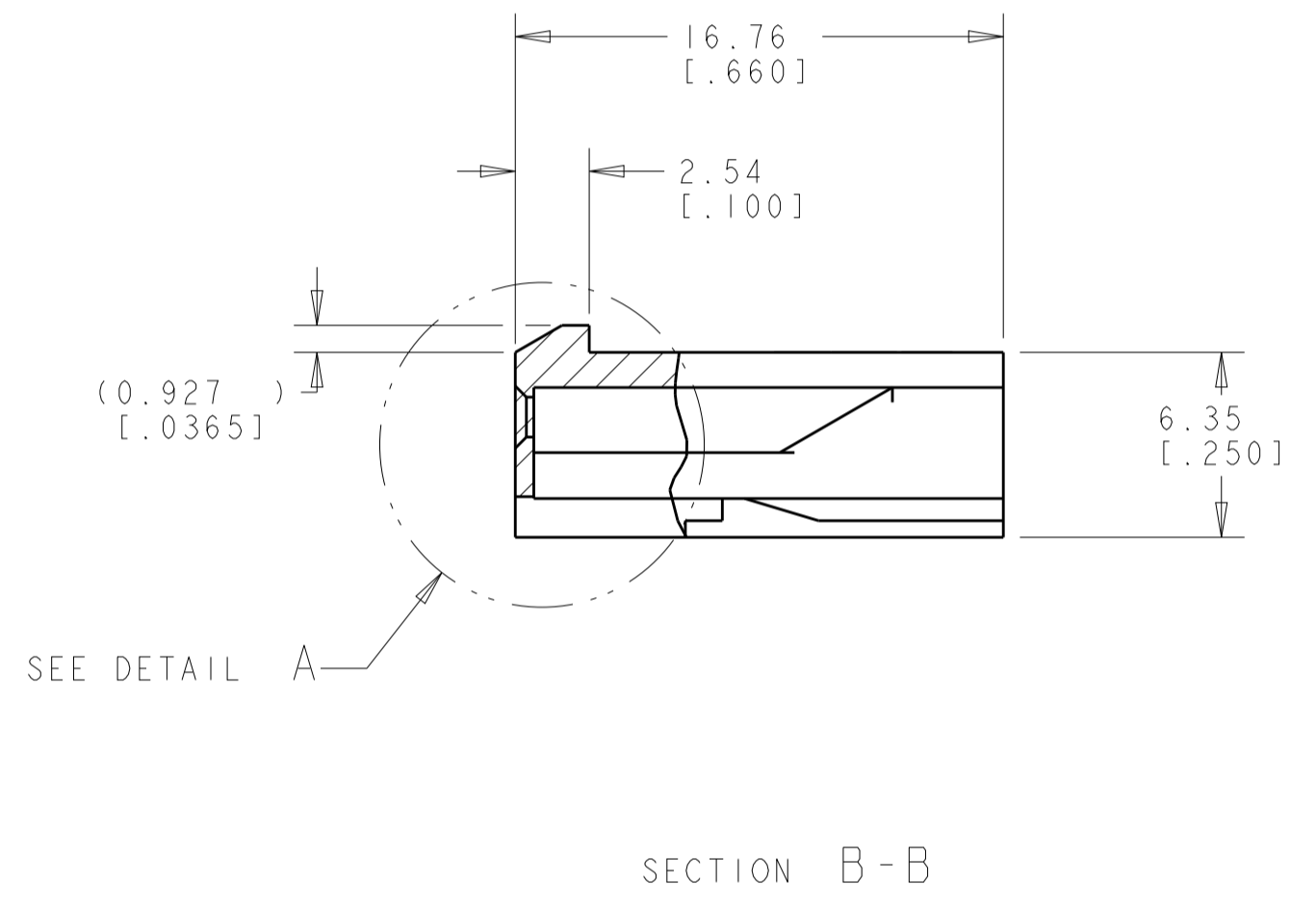
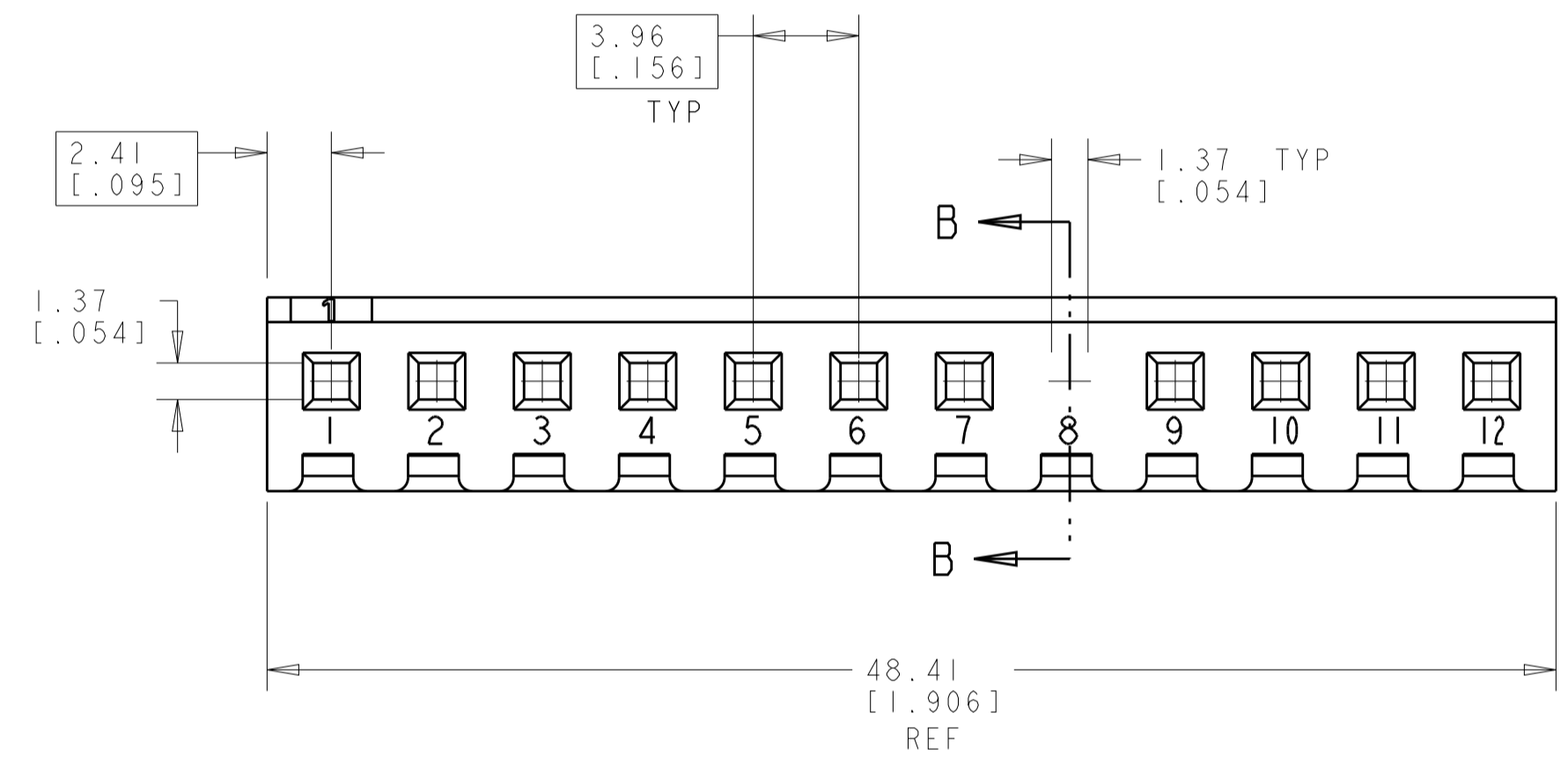


LOC	DIST	REVISIONS					
		P	LTN	DESCRIPTION	DATE	DWN	APVD
CM	00	C		REVISED PER ECR-13-008203	20JUN2013	KH	JR



DETAIL A
 SCALE 4:1

1. UNIT ACCEPTS 1.14 [.045] SQUARE OR ROUND POST.
2. UNIT ACCEPTS STANDARD SL-156 CONTACTS.
3. UNIT ACCEPTS KEYING PLUG 640254-1 AND KEYING PIN 640255-1.
4. CIRCUIT I.D. NUMBER(S) TO BE LOCATED SEQUENTIALLY AS SHOWN OR ONLY NO. 1 CIRCUIT PLACED ON LOCKING RAMP.
5. DIMENSION IN BRACKETS ARE IN INCHES.
6. OPTIONAL CONSTRUCTION (BOTH CORNERS) UP TO 0.38 [.015].
7. DETAIL A SHOWS CIRCUIT 8 MOLDED CLOSED. EITHER OPTION 1 OR OPTION 2 MAY BE USED.
8. ACCEPTS UP TO 2.79 [.110] INSULATION WIRE.



3-DIMENSIONAL MODEL
 SCALE 3:1

12	1-647417-2
NO OF CIRCUITS	PART NUMBER

THIS DRAWING IS A CONTROLLED DOCUMENT.		DWN K. WHITAKER 27-JAN-04	TE Connectivity NAME HOUSING, WITH LOCKING RAMP, SL-156, FOR LARGE WIRE INSULATION, CIRCUIT 8 BLOCKED
DIMENSIONS: mm [INCHES]		CHK J. ELLIS 27-JAN-04	
TOLERANCES UNLESS OTHERWISE SPECIFIED:		APVD J. ELLIS 27-JAN-04	PRODUCT SPEC
0 PLC ±			APPLICATION SPEC
1 PLC ±0.13 [.005]			SIZE CAGE CODE DRAWING NO
2 PLC ±			RESTRICTED TO
3 PLC ±			A100779C=647417
4 PLC ±			SCALE 4:1 SHEET 1 OF 1 REV C
ANGLES ±40°30'			
FINISH			
MATERIAL NYLON, UL 94V-0 NATURAL			
CUSTOMER DRAWING			