

4
DRAWING MADE IN THIRD ANGLE PROJECTION

3

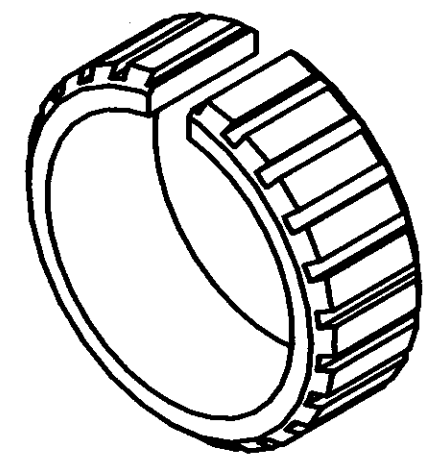
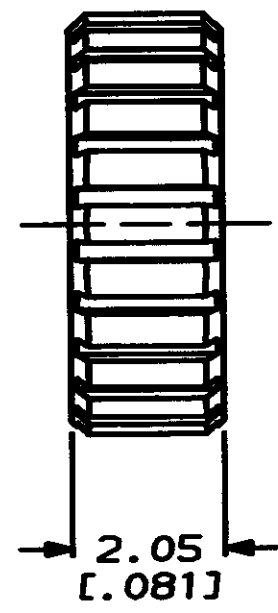
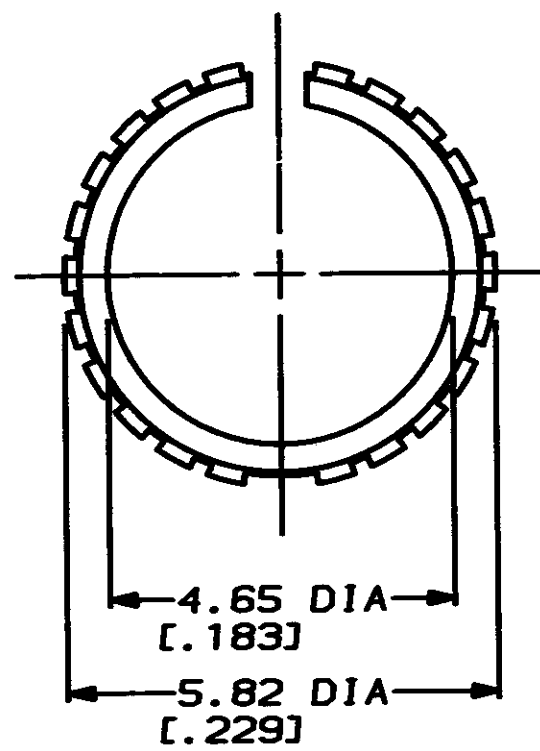
2

1

THIS DRAWING IS UNPUBLISHED. RELEASED FOR PUBLICATION .19
 © COPYRIGHT 19 BY AMP INCORPORATED, HARRISBURG, PA. ALL INTERNATIONAL RIGHTS RESERVED. AMP PRODUCTS MAY BE COVERED BY U.S. AND FOREIGN PATENTS AND/OR PATENTS PENDING.

LOC	DIST	REVISIONS						
CE	16	P	F	ZONE	LTR	DESCRIPTION	DATE	APPROVED
					D	REV PER CE-985	7-15-87	Y6/YJA

- ITEM USED WITH ACTIVE DEVICES HAVING 4.65-4.70 [.183-.185] OUTSIDE CAN DIA
- DIMENSIONS IN [] ARE IN INCHES



501084-1
PART NO

UNLESS OTHERWISE SPECIFIED DIMENSIONS ARE IN MM TOLERANCES ON: 2 PL DEC ± .13 [.005] 3 PL DEC ± - ANGLES ± -	DR	J ZEIDERS	7/30/86
	CHK	J GERACE	7/30/86
MATERIAL THERMOPLASTIC	APPD	M BEARD	7/30/86
	APPD	K MONROE	7/30/86
FINISH	PRODUCT SPEC	-	-
	APPLICATION SPEC	-	-
	WEIGHT	-	-

AMP AMP INCORPORATED Harrisburg, Pa. 17105		
NAME DEVICE RING, ADM, OPTIMATE		
SIZE B	FSOH NO 00779	DRAWING NO 501084
SCALE 10:1	SHEET 1 OF 1	

METRIC