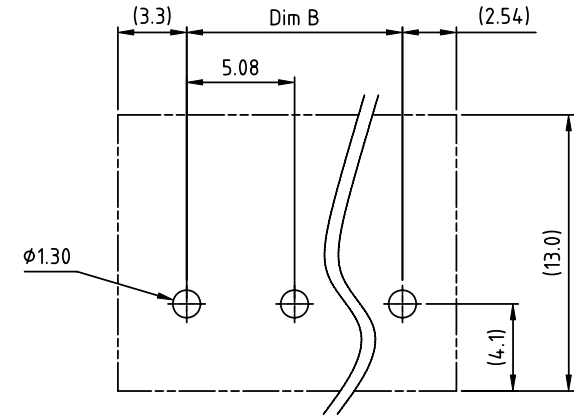
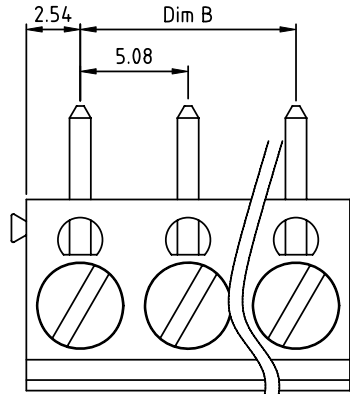


PRODUCT NUMBER	PITCH
TBxx21xx00J0G	5.08 mm



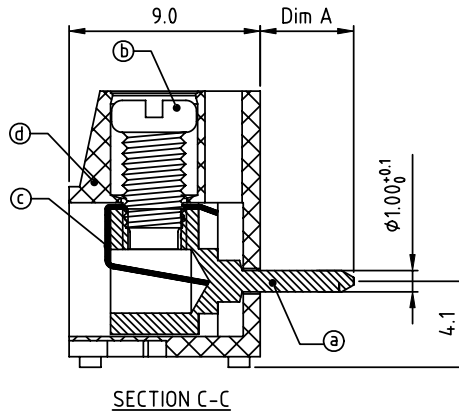
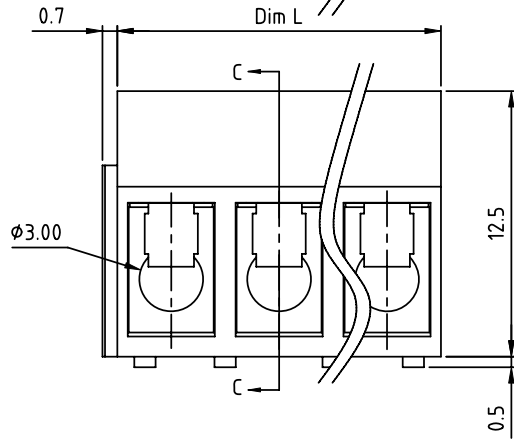
RECOMMENDED P.C.B LAYOUT
TOP VIEW

Material:

- Item ① Terminal body(metal housing): Brass(CuZn),Tin plated
- Item ② Terminal screw: Steel Zinc plating "-" slot type
- Item ③ Wire guard: Stainless steel
- Item ④ Insulator (housing):Thermoplastic (UL94V-0)

Electrical cULus

- Voltage rating: 250VAC
- Current rating: 15A
- Wire range:
- Solid wire(AWG): 14 -22
- Stranded wire(AWG):14-22
- Torque: 3.5Lb-In
- Screw: M3
- Wire strip length: 6-7mm
- Withstanding Voltage: 1.6KV
- Operating temperature: -40°C to +115°C
- Soldering temperature: 260°C±5°C/5 Sec
- Safety Approval: cULus



SECTION C-C

Dim L = N x 5.08
Dim B = (N-1) x 5.08
N=number of poles

poles	2P-6P	7P-12P	13P-18P	19P-24P
Dim L	±0.15	±0.20	±0.30	±0.40
Dim B	±0.15	±0.20	±0.30	±0.40

PART NO.: TB xx 21 x x 00J0 G

	Body Color	DIM A Length	RoHS compliant
End stackable	0 Black (RAL9005)	0 4.4mm	(lead<4%)
No. of poles	2 Red (RAL3001/D)	1 3.8mm	In copper Alloy
02 2 poles	3 Orange(RAL2011/P)	2 3.5mm	
03 3 poles	4 Yellow(RAL1018/A)		
...	5 Green(RAL6018/T)		
...	6 Blue (RAL5015/A)		
24 24 poles	8 Grey(RAL7035/D)		
	9 White(RAL1102)		
	C Green(RAL6018/U)		

mat'l. code		surface ASME Y14.5	tolerance ASME Y14.5	projection	product family
ltr	ecn no	dr	date	tolerances unless otherwise specified	TERMINAL BLOCK
				angles	title
				MM	TERMINAL BLOCK
				scale	WIRE PROTECTOR,90D WIRE INLET
		dr	EVIN ZHONG	033114	dwg no
		enrg	EVIN ZHONG	033114	sheet 1 of 1
		chr	HANKE FENG	033114	size
		appd	SHI JUN	033114	A4
					type
					CUSTOMER Drawing
sheet index	revision	A			
	sheet	1			