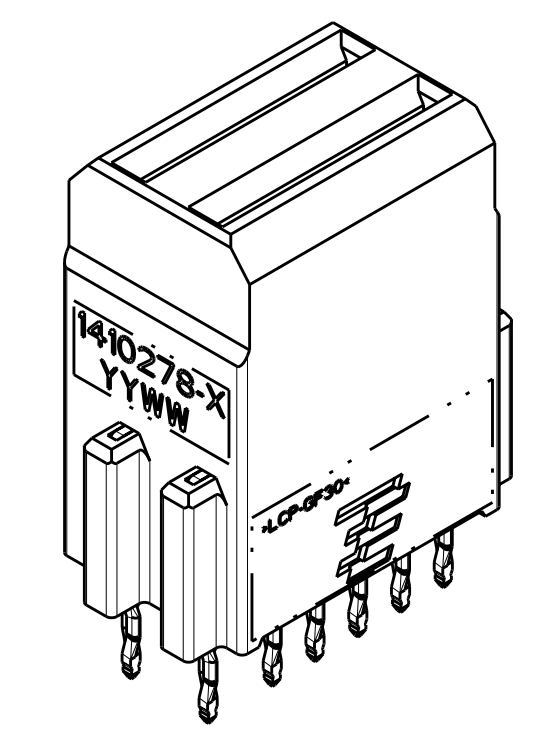
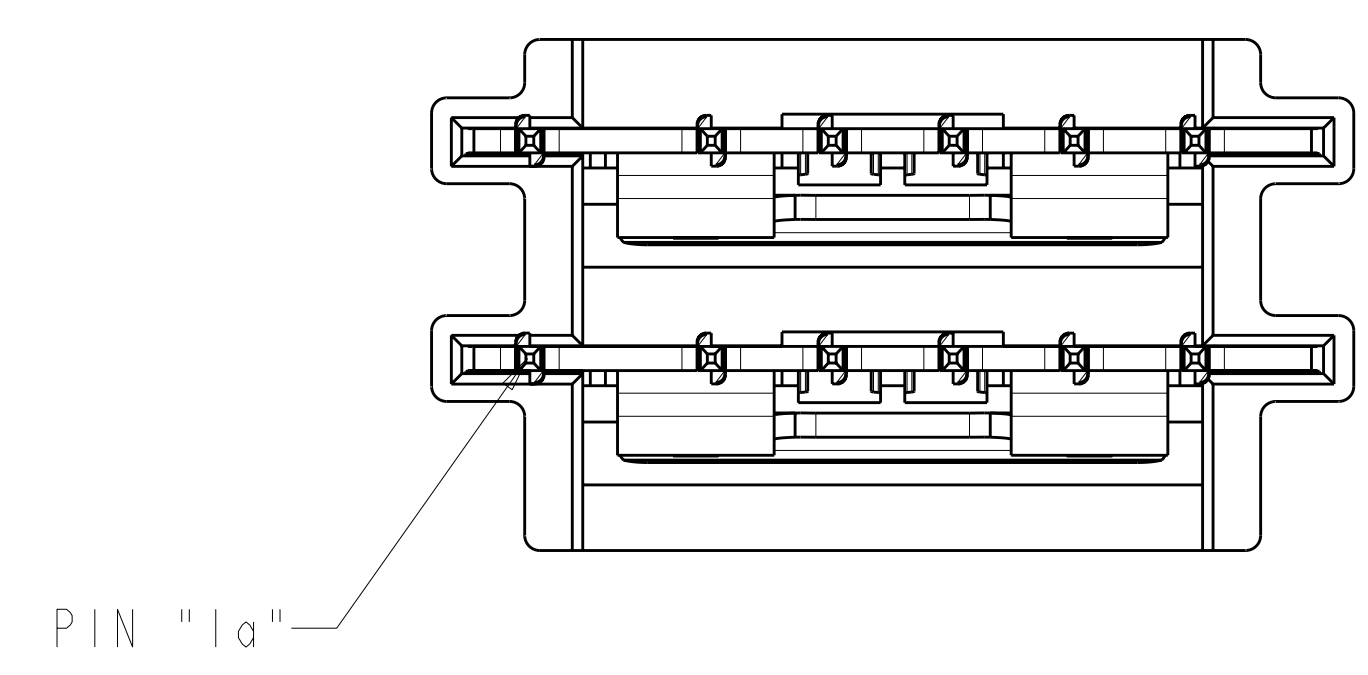
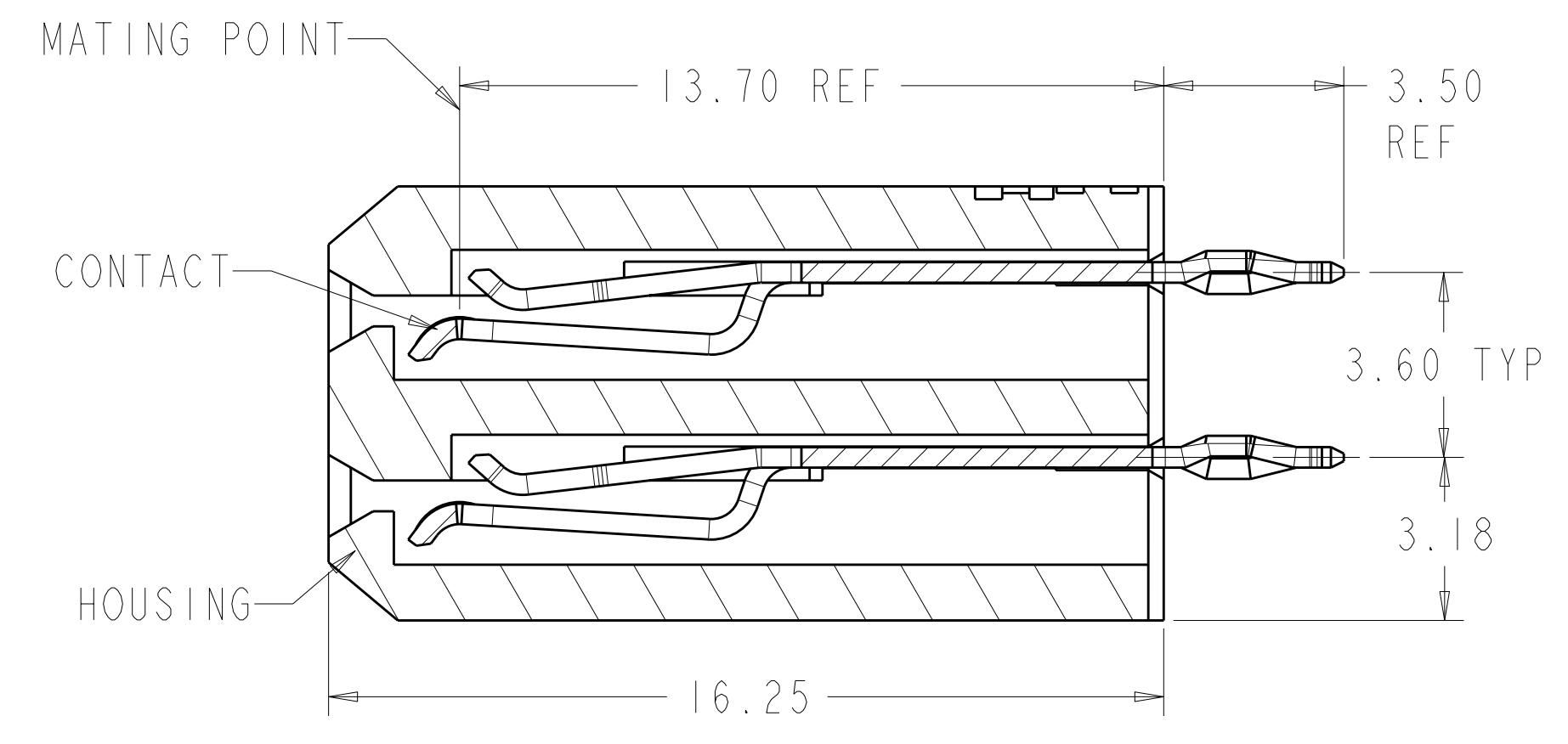
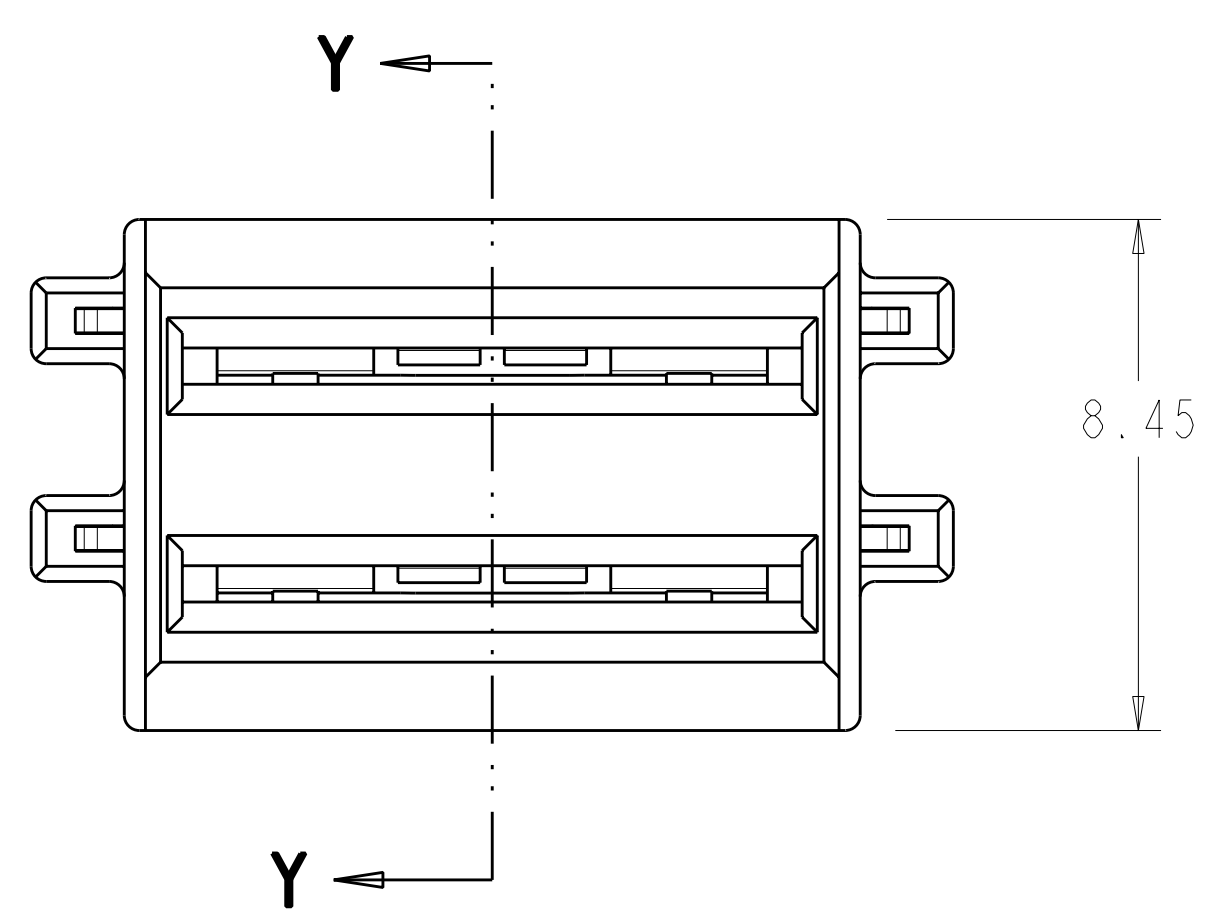
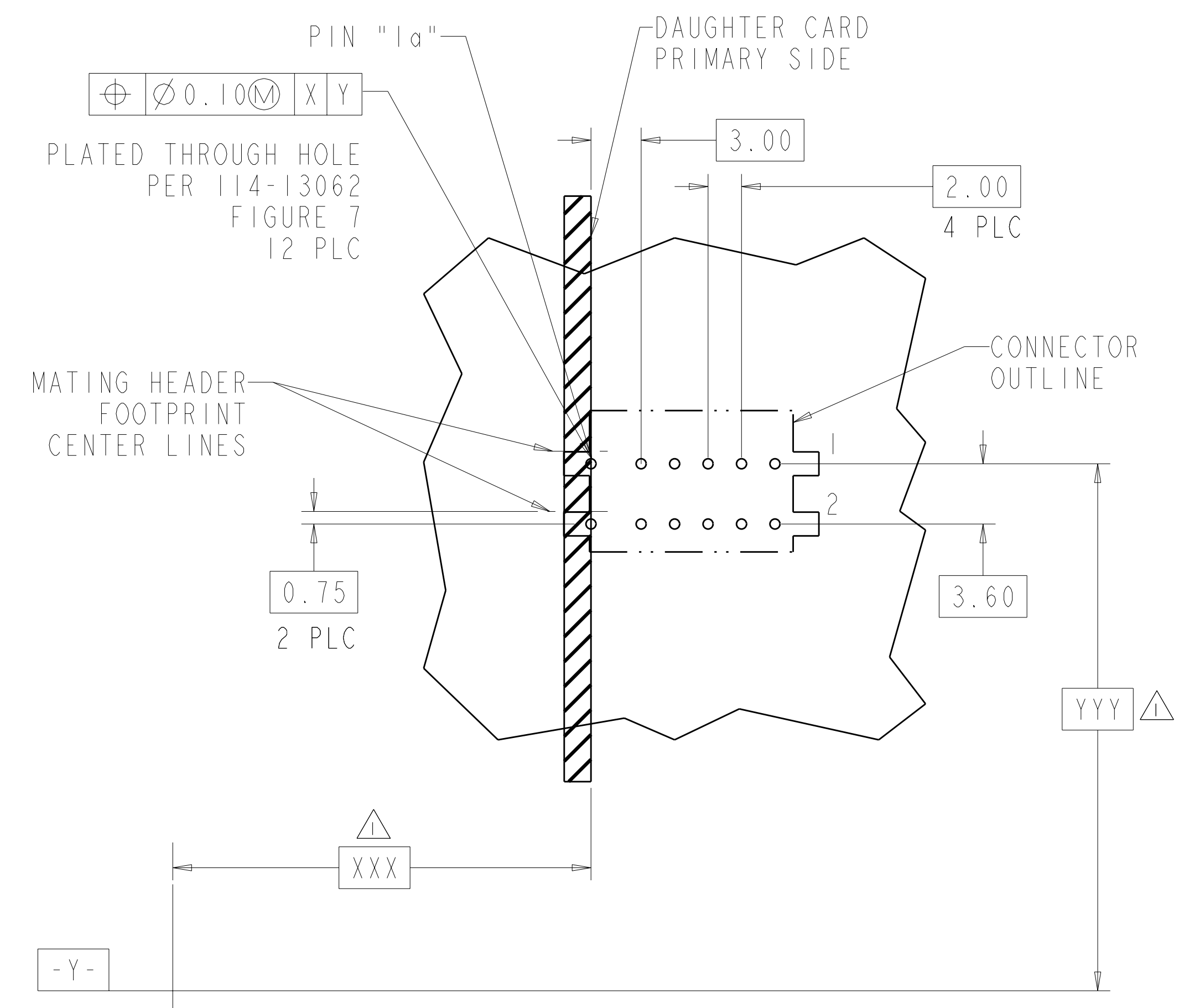
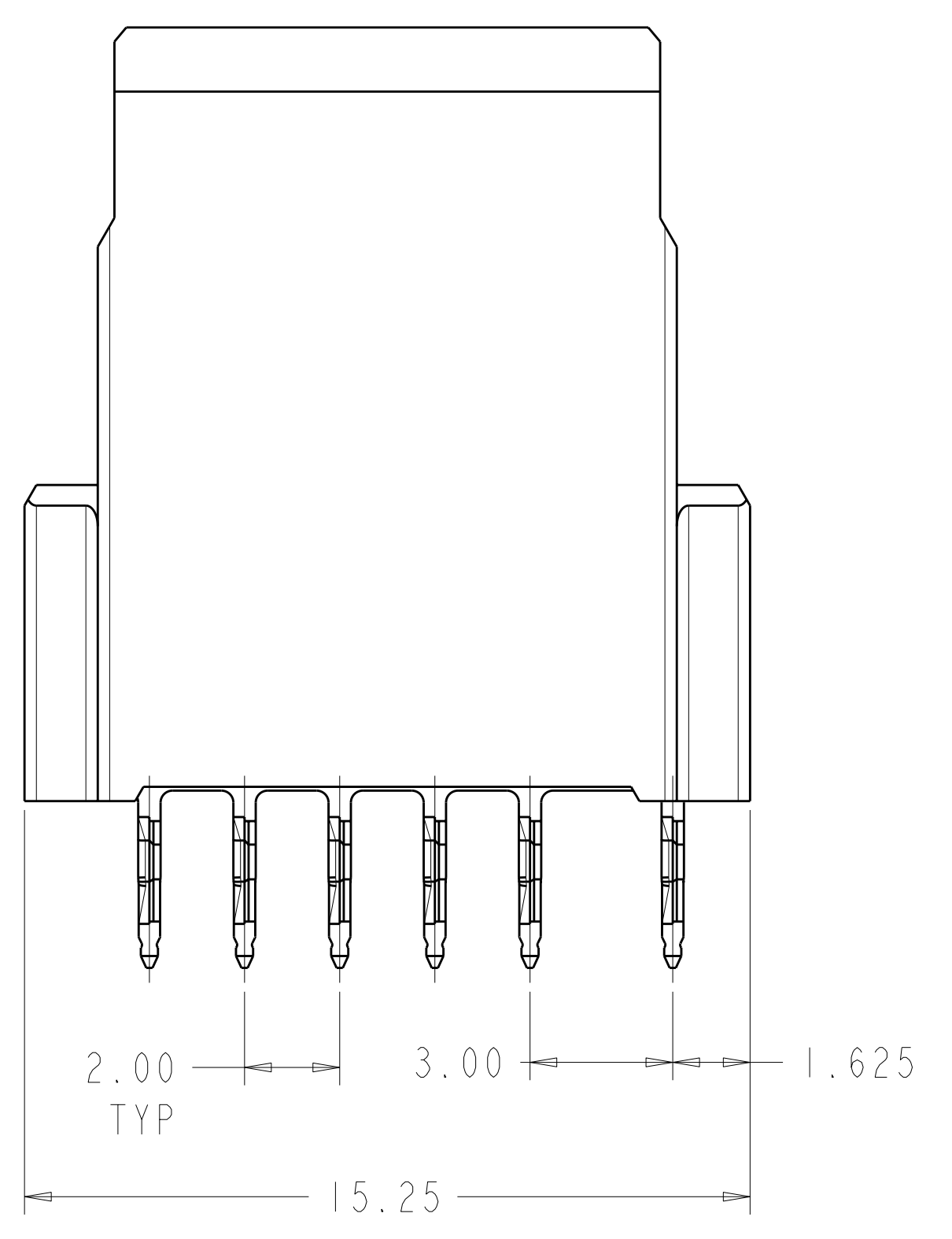


LOC	DIST	REV	DATE	DWN	APVD
AD	00	A2	24APR2012	KH	AS
		REVISIONS			
		DESCRIPTION			
		DATE			



SCALE 4:1



RECOMMENDED PCB HOLE LAYOUT
BACKPLANE
PRIMARY SIDE
SCALE 4:1

- △ DIMENSIONS PER CUSTOMER BOARD LAYOUT
- △ FINISH: 1.27mm MIN GOLD IN CONTACT AREA, 1.27mm MIN TIN-LEAD ON PCB TAIL, OVER 1.27mm MIN NICKEL OVER ALL.
- △ HOUSING: LCP, UL94V-0, BLACK CONTACT: PHOSPHOR BRONZE
- △ FINISH: 1.27 μm MIN GOLD IN CONTACT AREA, 1.27 μm MIN TIN ON PCB TAIL, OVER 1.27 μm MIN NICKEL OVER ALL.

△	1410278-2
△	1410278-1
PART NUMBER	

THIS DRAWING IS A CONTROLLED DOCUMENT.		DWN S. WELLER 02NOV2000	STE TE Connectivity	
DIMENSIONS: mm		CHK S. WELLER 02NOV2000	NAME ASSEMBLY, POWER, VERTICAL RECEPTACLE, 2 CAVITY, 20.3mm, MULTIGIG	
TOLERANCES UNLESS OTHERWISE SPECIFIED:		APVD D. HELSTER 02NOV2000	PRODUCT SPEC 108-2062	
0 PLC ±0.3		APPLICATION SPEC 114-13062		
1 PLC ±0.25		SIZE CAGE CODE DRAWING NO. RESTRICTED TO		
2 PLC ±0.25		A1 00779 C=1410278		
3 PLC ±0.25		WEIGHT		
4 PLC ±0.25		CUSTOMER DRAWING		
ANGLES ±1°		SCALE 8:1 SHEET 1 OF 1 REV A2		
FINISH				