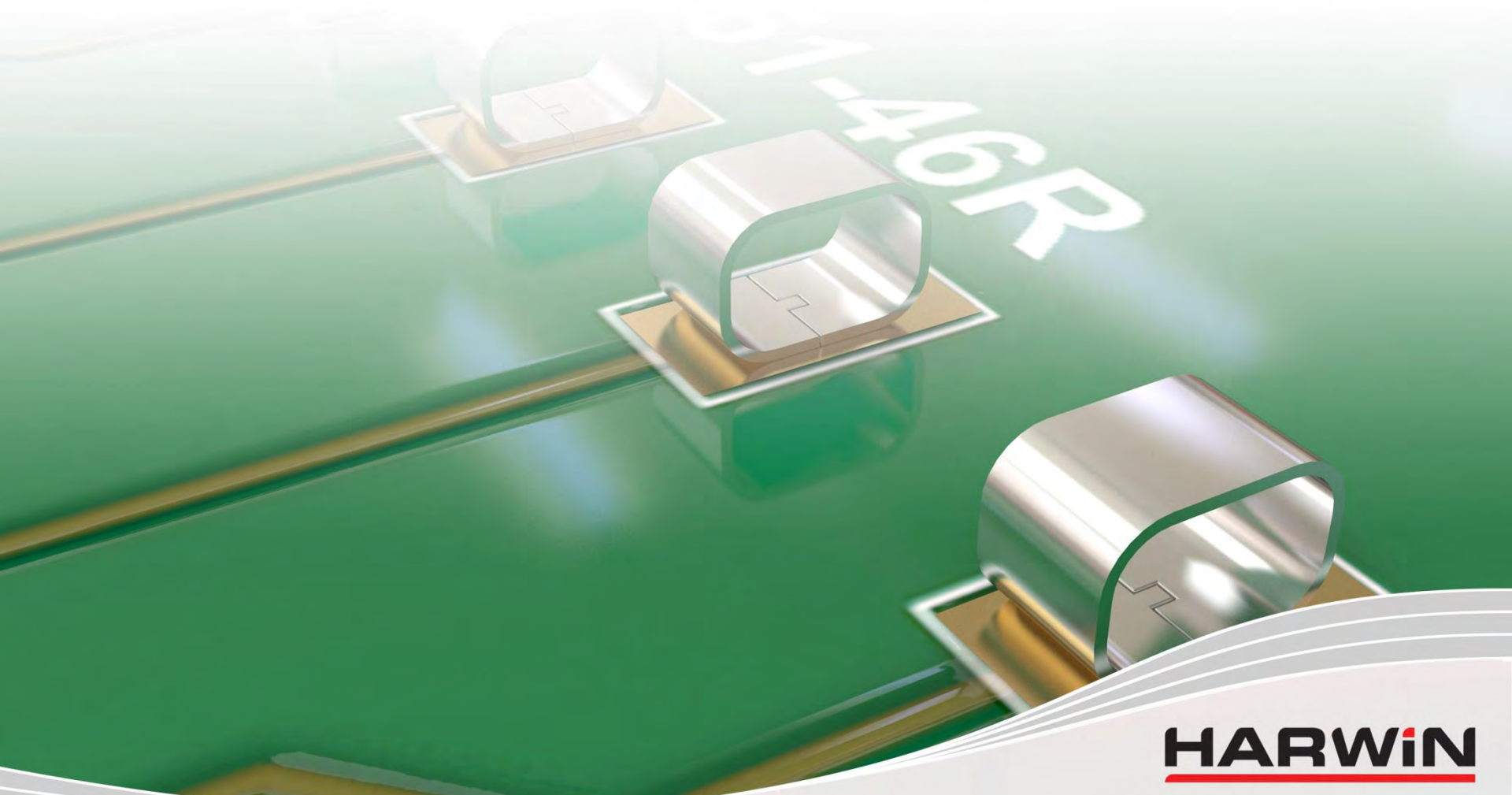


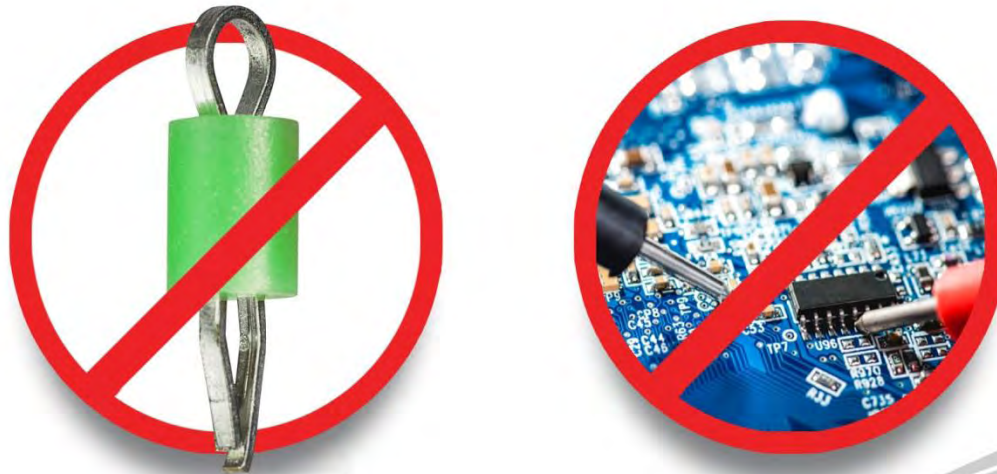


Test Points



EZ-BoardWare **Test Points**

Traditional testing – Spikes and Links



HARWIN

The current practice on electrically testing completed PCBs falls into two categories.

- No dedicated test point is used: spike probes are used to inspect current directly from a track, or test lead hooks are hung off existing throughboard tails. This method introduces the possibility of failure due to damage, and inconsistency in test.
- A dedicated test point is added – but existing test points are often throughboard designs, generally quite expensive, and require additional operations to solder onto an SMT board.

EZ-BoardWare **Test Points**

Providing maximum space flexibility



HARWIN

Available in 3 different sizes, the right EZ-Test Point can be selected to best suit the size of components on the PCB.

- The original [S1751-46R](#) Test Point (the largest shown here) fits on a footprint of 3.6mm x 2.0mm;
- [S2751-46R](#) has a footprint of 2012 Metric (0805 Imperial);
- [S2761-46R](#) has a 1608 Metric (0603 Imperial) footprint.

Heights ranging from 2.00mm down to 1.15mm permit use in the lowest profile applications.

EZ-BoardWare **Test Points**

Hands-Free Testing with Test Clips



HARWIN

All Harwin Test Points are ideal for use with industry standard Test Clips. Once the Test Clip is attached to the Test Point, the engineer can work totally hands-free.

- The [S1751-46R](#) Test Point is ideal for use with standard sizes of Test Clips.
- The smaller [S2751-46R](#) and [S2761-46R](#) Test Points are designed to accommodate the miniature sized Test Clips.

Samples of these Test Points can be requested from the individual Product pages.

EZ-BoardWare **Test Points**

Easy to Identify Test Position



HARWiN

Designed to provide a dedicated, easy to identify component on the PCB for electrical testing, the EZ-Test Points facilitate a structured method of testing to be established. As the Test Points function is purely one of testing, any accidental damage that may occur will not affect the functionality of the PCB.

EZ-BoardWare **Test Points**

Tape and Reel packaging



HARWIN

All Test Points are supplied in Tape and Reel packaging, making them ideal for automated assembly to the PCB. The points will reduce manufacturing costs by eliminating manual assembly/soldering operations – all sizes can be Surface Mounted with the rest of the PCB components.

EZ-BoardWare **Test Points**

Performance ratings

Current Rating	2A to 3.5A	EIA-364-70A
Contact Resistance	20mΩ	EIA-364-06

HARWIN

The current rating varies with the Test Point – please see the applicable [Technical Drawing](#) for specific information.

EZ-BoardWare **Test Points**

Markets



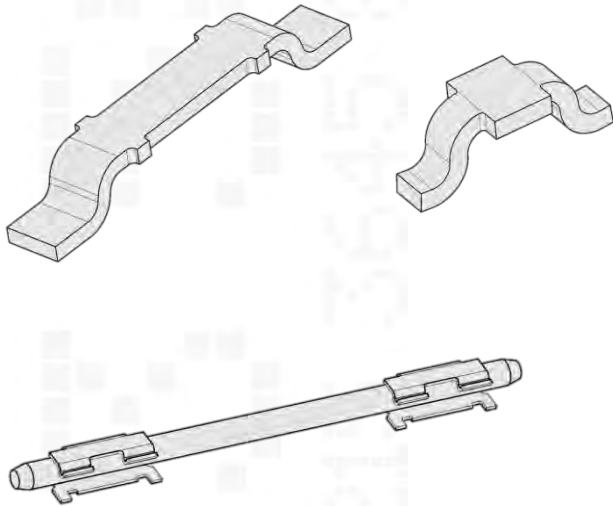
HARWIN

Almost all markets have a requirement for testing PCBs. These test points provide a low-cost, easy-to-use solution when every PCB has to be tested in a production run.

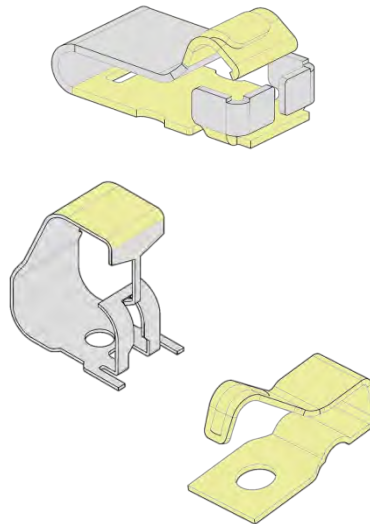
- Aerospace
- Medical
- Drives and Controls
- Communications
- Gas Measurement

If you like this product, try...

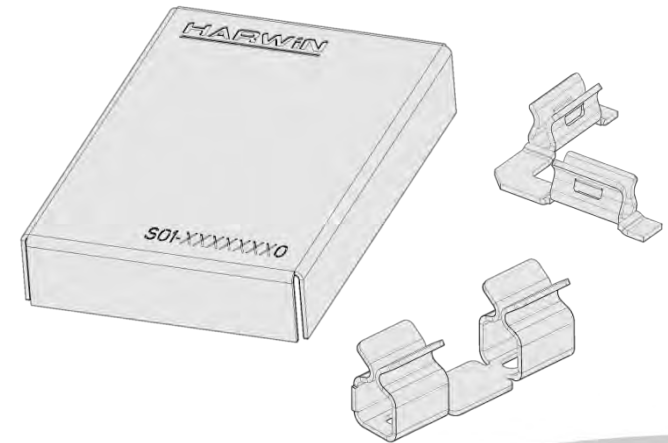
Links



Spring Contacts



Shield Clips & Cans



- Fixed or Removable Links
- Surface Mount
- Current rating of 10A on fixed, 1.5A on removable

- 30 different styles, all Surface Mount
- Heights from 1.23mm to 7.25mm
- Suitable for signal, grounding, antenna contacts.
- Right-angle option available

- Surface mount shield clips
- Simple 5-sided shield cans
- No additional soldering required
- Easy to use, perfect for rework and maintenance

HARWIN

Happy to Help

Contact our product support team

➤ **Live Help**



Get CAD models for FREE

➤ **Download here**



Request evaluation samples

➤ **Click here**



Contact our technical support team

➤ **Email us**

