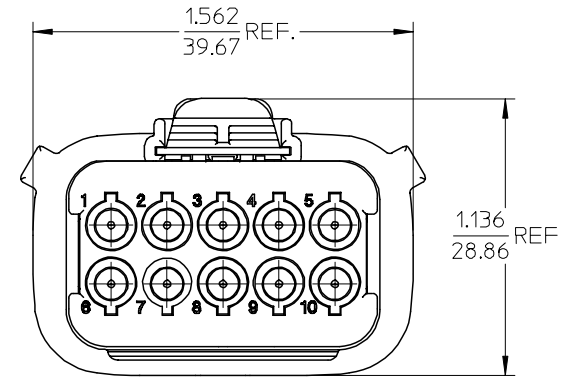
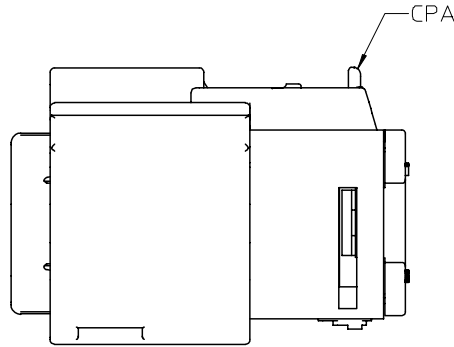
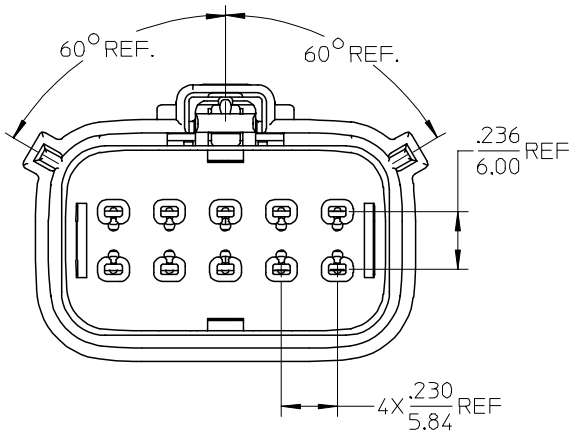
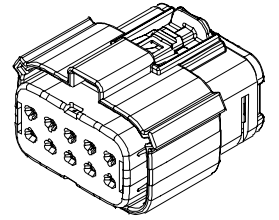


19418-0025	16-14	NO
19418-0024	22-18	
19418-0013	16-14	YES
19418-0014	22-18	
MATERIAL NUMBER	UL WIRE AWG	CPA



NOTES:

1. MATERIALS:  
HOUSING: POLYESTER (PBT), GLASS FILLED, UL94 V-0, COLOR: BLACK.  
SEALS: SILICONE RUBBER.
2. PRODUCT SPECIFICATION: PS-19417-001.
3. PACKAGING SPECIFICATION: PK-19418-001.
4. MATES WITH: 19419 SERIES PLUG ASSEMBLIES.
5. USE CONNECTOR WITH FEMALE CRIMP TERMINAL SERIES 19420.

REVISED EC NO: ETC2006-0164 DRWN: JPAWLCK 2006/01/12 CHKD: JPAWLCK 2006/01/12 APPR: RDEROSS 2006/01/13 DESCRIPTION REV B1	QUALITY SYMBOLS	GENERAL TOLERANCES (UNLESS SPECIFIED)	DIMENSION STYLE IN/MM	SCALE 2:1	DESIGN UNITS INCH	THIRD ANGLE PROJECTION																											
	$\nabla=0$ $\nabla=0$	<table border="1"> <thead> <tr> <th></th> <th>mm</th> <th>INCH</th> </tr> </thead> <tbody> <tr> <td>4 PLACES</td> <td>± ---</td> <td>± ---</td> </tr> <tr> <td>3 PLACES</td> <td>± ---</td> <td>± .015</td> </tr> <tr> <td>2 PLACES</td> <td>± 0.38</td> <td>± ---</td> </tr> <tr> <td>1 PLACE</td> <td>± ---</td> <td>± ---</td> </tr> </tbody> </table>		mm	INCH	4 PLACES	± ---	± ---	3 PLACES	± ---	± .015	2 PLACES	± 0.38	± ---	1 PLACE	± ---	± ---	<table border="1"> <thead> <tr> <th>DRAWN BY</th> <th>DATE</th> </tr> </thead> <tbody> <tr> <td>BRUPERT</td> <td>01/22/03</td> </tr> <tr> <th>CHECKED BY</th> <th>DATE</th> </tr> <tr> <td>JPAWLCKI</td> <td>01/23/03</td> </tr> <tr> <th>APPROVED BY</th> <th>DATE</th> </tr> <tr> <td>RDEROSS</td> <td>01/25/03</td> </tr> </tbody> </table>	DRAWN BY	DATE	BRUPERT	01/22/03	CHECKED BY	DATE	JPAWLCKI	01/23/03	APPROVED BY	DATE	RDEROSS	01/25/03	TITLE	10 WAY RECEPTACLE ASSEMBLY, KEY A POLARIZATION	
		mm	INCH																														
	4 PLACES	± ---	± ---																														
3 PLACES	± ---	± .015																															
2 PLACES	± 0.38	± ---																															
1 PLACE	± ---	± ---																															
DRAWN BY	DATE																																
BRUPERT	01/22/03																																
CHECKED BY	DATE																																
JPAWLCKI	01/23/03																																
APPROVED BY	DATE																																
RDEROSS	01/25/03																																
DRAFT WHERE APPLICABLE MUST REMAIN WITHIN DIMENSIONS			MATERIAL NO. SEE CHART	DOCUMENT NO. SD-19418-005	SHEET NO. 1 OF 1																												