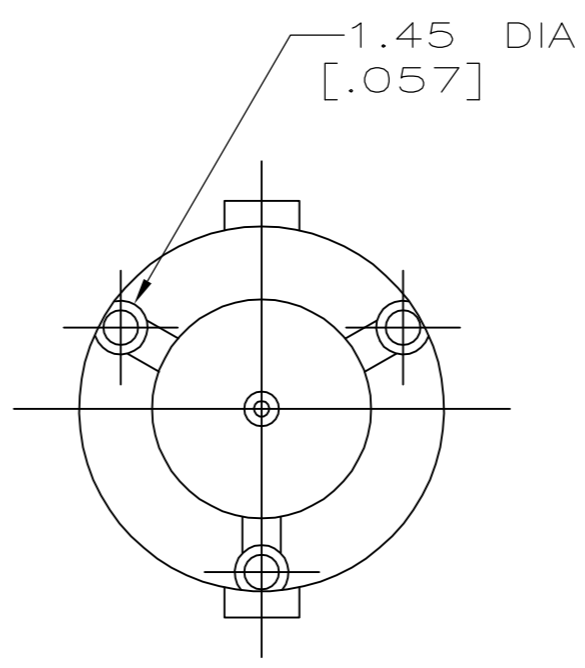
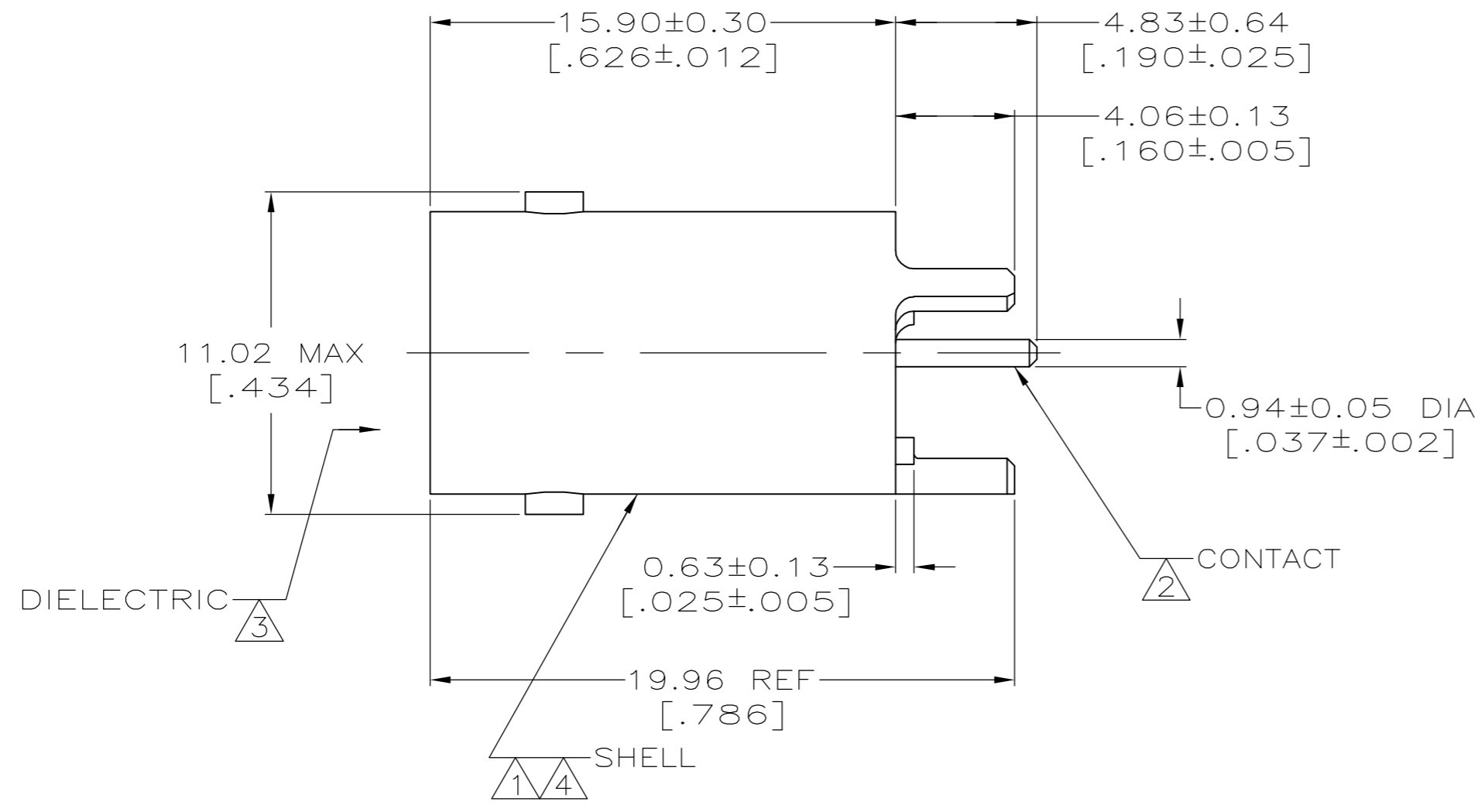
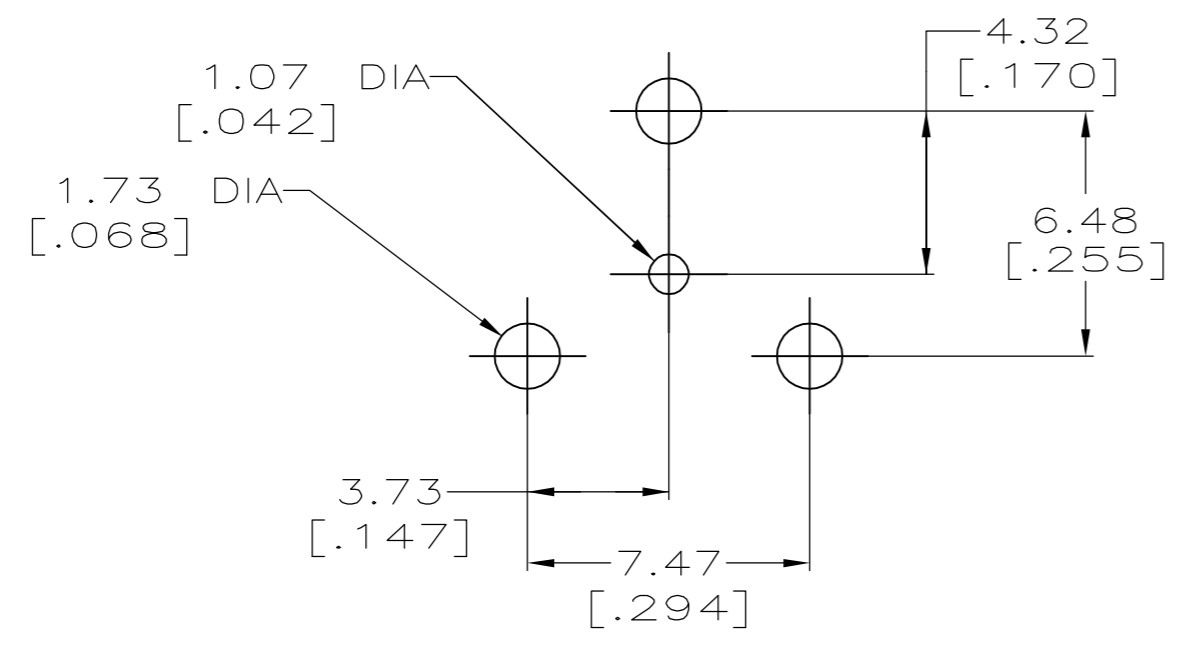


THIS DRAWING IS UNPUBLISHED. RELEASED FOR PUBLICATION  
 © COPYRIGHT BY TYCO ELECTRONICS CORPORATION. ALL RIGHTS RESERVED.

LOC	DIST	REVISIONS					
		P	LTR	DESCRIPTION	DATE	DWN	APVD
AJ	16	0		RELEASED PER OS14-0496-04	25JAN2005	JGH	JL



- 1 ZINC PER QQ-Z-363.
- 2 PHOSPHOR BRONZE PER ASTM-B-139.
- 3 POLYESTER PER ASTM-D-3220.
- 4 TIN PLATE PER ASTM-B-545, 2.54 μm [.000100] MIN THICK.
- 5 GOLD PLATE PER MIL-G-45204 0.76 μm [.000030] MINIMUM THICK.
- 6. FOR USE WITH .095 MAX THK PC BOARD.
- 7. SEE INSTRUCTION SHEET 408-9889.



5221123-2	CONTACT PLATING	5221123-2	PART NO
-----------	-----------------	-----------	---------

THIS DRAWING IS A CONTROLLED DOCUMENT.		DWN	J. HAVENER	24JAN2005	 Tyco Electronics Corporation Harrisburg, PA 17105-3608
DIMENSIONS: MM [INCHES]		CHK	J. HAVENER	25JAN2005	
TOLERANCES UNLESS OTHERWISE SPECIFIED:		APVD	J. LIPPERT	25JAN2005	
0 PLC ± - 1 PLC ± - 2 PLC ± 0.08 [.003] 3 PLC ± - 4 PLC ± - ANGLES ± -		NAME	JACK, VERTICAL, PCB, 50 OHM, COMMERCIAL BNC		
MATERIAL	SEE NOTES 1 - 3	FINISH	SEE NOTES 4 - 6	WEIGHT	-
CUSTOMER DRAWING		SIZE	A2	CAGE CODE	00779
		DRAWING NO	C=5221123		RESTRICTED TO
		SCALE	5:1	SHEET	1 OF 1
		REV	0		