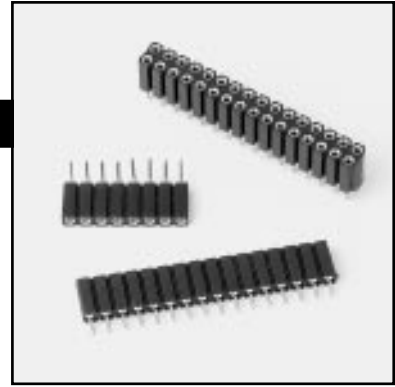


Series: SBL, DBL

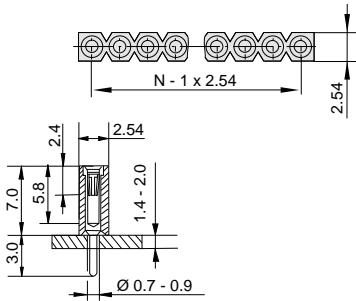
High Profile Machined Female Header



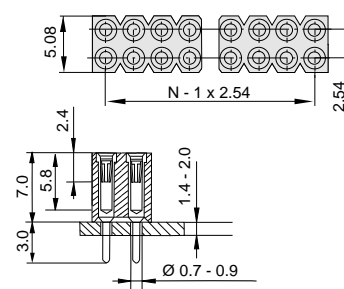
- ❖ Insertion depth, 2.4 mm
- ❖ Insertion diameter, 0.65 mm min. - 0.85 mm max.
- ❖ Insertion force, 1.2N
- ❖ Withdrawal force, 0.6N
- ❖ Mechanical life 500 cycles min.
- ❖ Six finger clip with funnel design entry
- ❖ Side and end stackable
- ❖ Single row 1 - 36 positions
- ❖ Dual row 4 - 72 positions

Ordering examples:

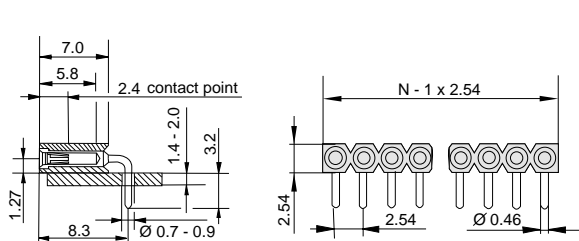
SBL - 36 0 Z



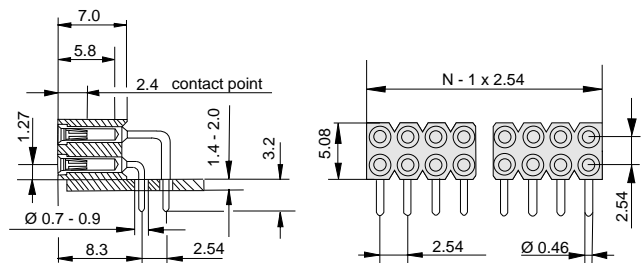
DBL - 72 0 Z



SBL - 36 0 Z - R



DBL - 72 0 Z - R



Specifications

Machined Pin Female Header Series:

SBU **SBL**
DBU **DBL**

Ratings:

Current for SBU, DBU	1A max.
Current for SBL, DBL	3A max.
Voltage	10 mV - 60 V
Dielectric strength	> 1000 V (RMS)
Contact resistance	≤ 7 mΩ
Insulation resistance	> 10 ¹² Ω
Air and creepage distance	> 0.6 mm
PCB thickness	1.6 mm - 2.0 mm
PCB hole size	.7 mm - .9 mm

Material:

Plastic	PBT, Glass-filled, UL94V-0
Color	Black
Sleeve	Turned brass, Flash copper plated, Nickel 2-3μm, Tin 5μm
Clip	Beryllium-copper, Nickel 2-3μm, Gold 0.25μm
Temperature range	-55°C / +125°C, 260°C for 5 sec. (solder bath resistant)
Mechanical life	100 cycles

ORDERING PROCEDURE

 1 - 2 3 4 - 5

- 1) Series
- 2) Number of Positions (see series page for available positions)
- 3) Contact style:
O = Solder tail
- 4) Plating:
Z = Gold clip/Tin sleeve
G = Gold clip/Gold sleeve
- 5) Series options:
R = Right angle

Please refer to following pages for ordering examples.