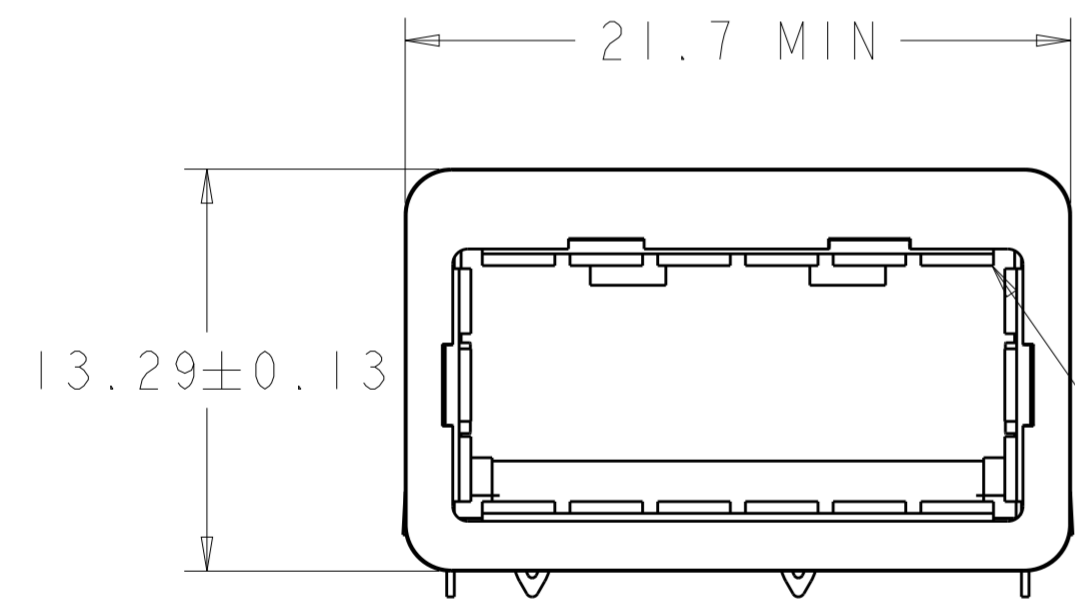
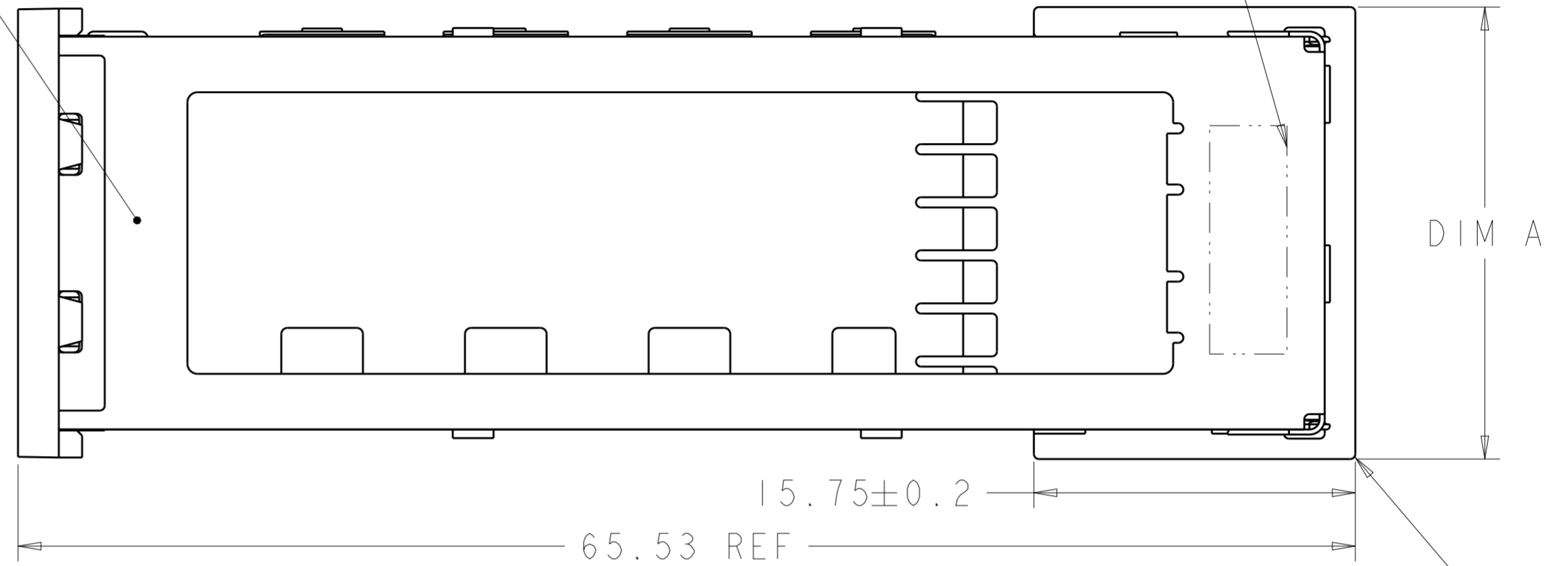


THIS DRAWING IS UNPUBLISHED. RELEASED FOR PUBLICATION 20
 © COPYRIGHT 20 BY - TE CONNECTIVITY ALL RIGHTS RESERVED.

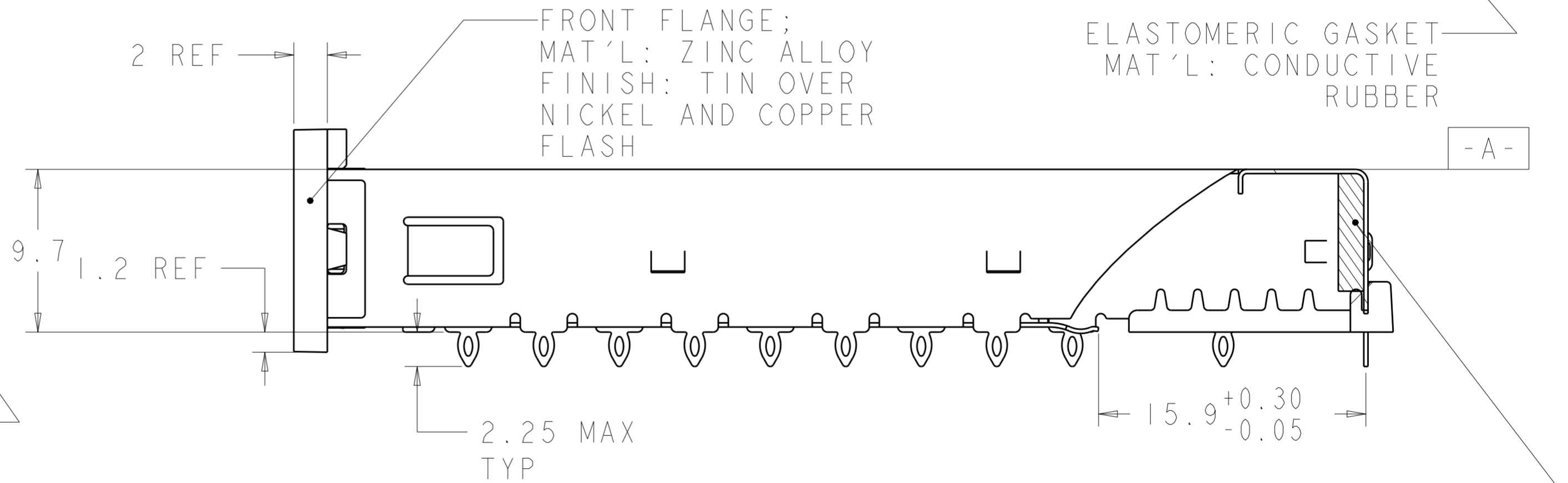
LOC	DIST	REVISIONS			
P	LTR	DESCRIPTION	DATE	DWN	APVD
ES	00	A	01NOV2016	PP	SH

XFP CAGE
 MAT'L: COPPER ALLOY
 FINISH: TIN

DATE CODE APPROXIMATE LOCATION



FRONT EMI GASKET;
 MAT'L: COPPER ALLOY
 FINISH: TIN



XFP CAGE REAR EMI GASKET;
 MAT'L: CONDUCTIVE FOAM

- ① MATES WITH XFP-MSA COMPLIANT TRANSCEIVERS.
- ② DATUM **-X-** AND **-Y-** ESTABLISHED BY CUSTOMER.
- ③ DATUM **-A-** IS TOP SURFACE OF HOST BOARD.
- ④ INDICATED SURFACES TO BE CONDUCTIVE AND CONNECTED TO CHASSIS GROUND.

CUSTOMERIZED	23 MAX	YES	2170435-3
GENERAL	23 MAX	YES	2170435-1
EMI SPRING	DIM A	DATE CODE	PART NUMBER

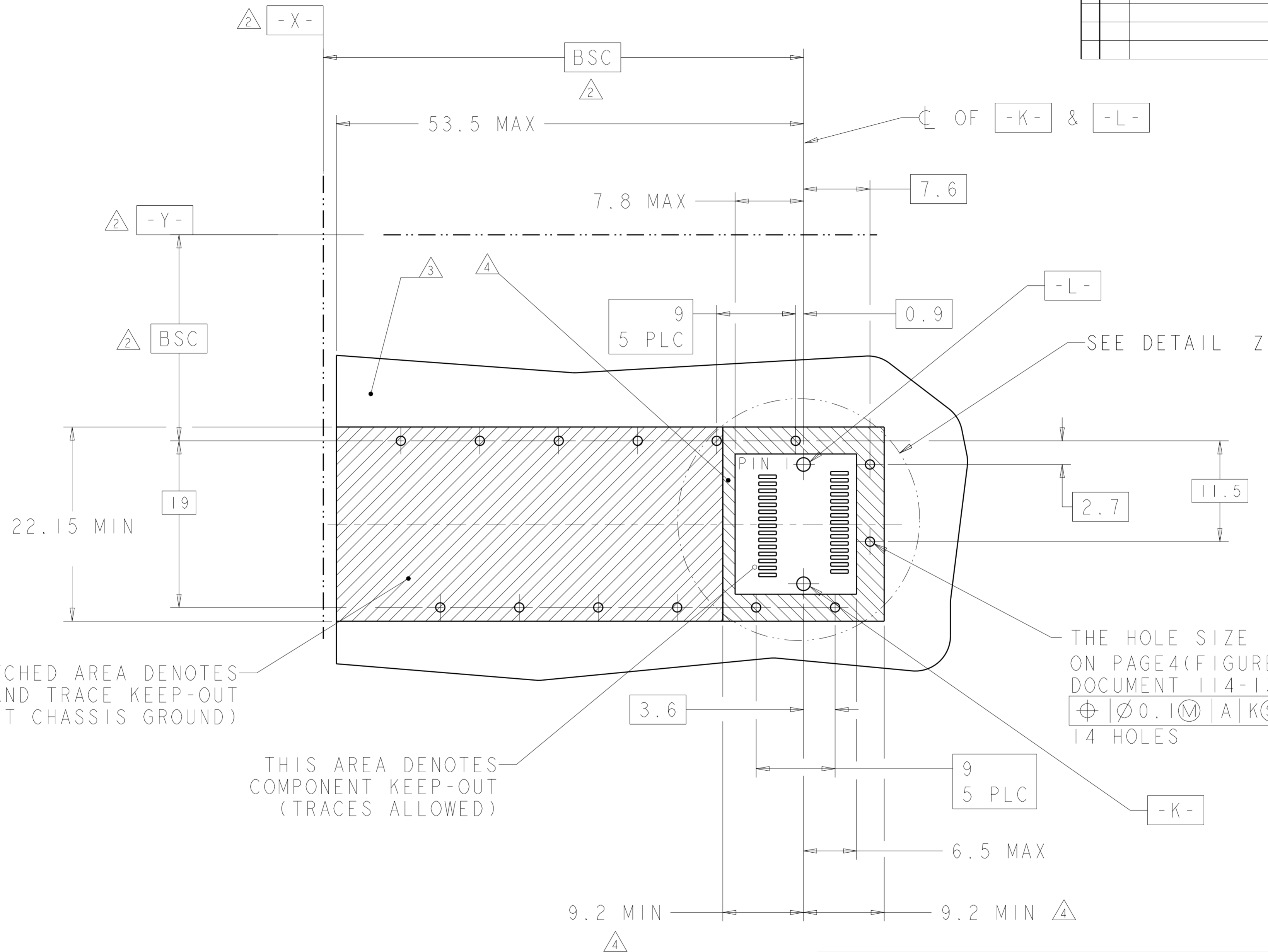
THIS DRAWING IS A CONTROLLED DOCUMENT.

DIMENSIONS:	TOLERANCES UNLESS OTHERWISE SPECIFIED:	DWN PETER PAN 01-Nov-16	TE Connectivity
mm	0 PLC ±0.25	CHK JASON YANG 01-Nov-16	
	1 PLC ±0.25	APVD ALEX CAI 01-Nov-16	
	2 PLC ±0.20	NAME	
	3 PLC ±	PRODUCT SPEC	CAGE ASSEMBLY, 10 GIGABIT, XFP
	4 PLC ±	APPLICATION SPEC	
	ANGLES ±5°	114-13096	SIZE CAGE CODE DRAWING NO
	FINISH	WEIGHT	A200779 C-2170435
MATERIAL		CUSTOMER DRAWING	RESTRICTED TO

SCALE 1:1 SHEET 1 OF 3 REV A

THIS DRAWING IS UNPUBLISHED. RELEASED FOR PUBLICATION 20
 © COPYRIGHT 20 BY - TE CONNECTIVITY ALL RIGHTS RESERVED.

LOC	DIST	REVISIONS			
P	LTR	DESCRIPTION	DATE	DWN	APVD
ES	00	SEE SHEET 1	-	-	-



CROSS-HATCHED AREA DENOTES COMPONENT AND TRACE KEEP-OUT (EXCEPT CHASSIS GROUND)

THIS AREA DENOTES COMPONENT KEEP-OUT (TRACES ALLOWED)

THE HOLE SIZE IS RECOMMENDED ON PAGE 4 (FIGURE 3) OF TE DOCUMENT 114-13096

Ø	Ø0.1(M)	A	K(S)	L(S)
---	---------	---	------	------

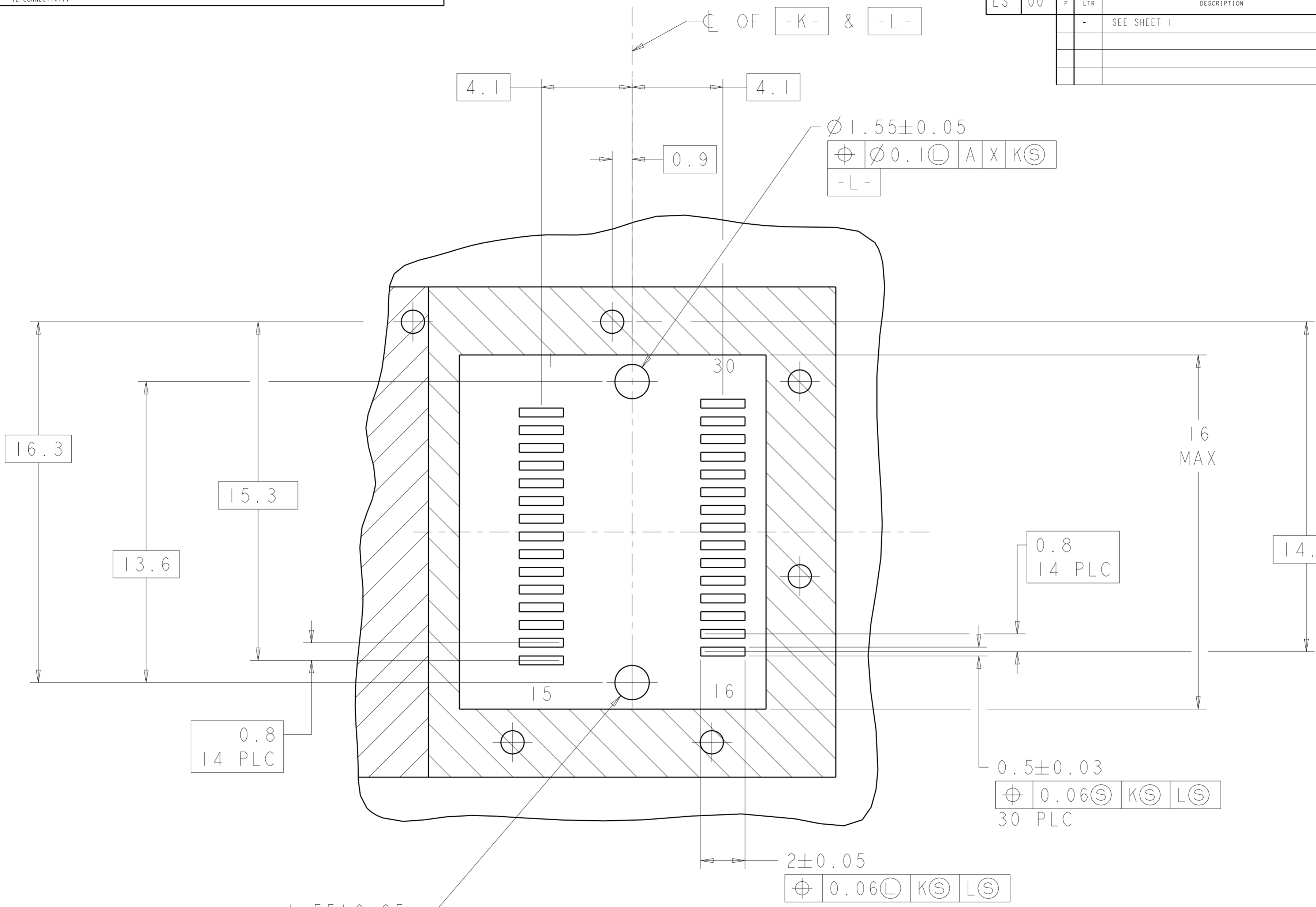
 14 HOLES

DETAILED HOST BOARD MECHANICAL LAYOUT

THIS DRAWING IS A CONTROLLED DOCUMENT.		DWN PETER PAN 01-Nov-16	 TE Connectivity													
DIMENSIONS: mm		CHK JASON YANG 01-Nov-16														
TOLERANCES UNLESS OTHERWISE SPECIFIED:		APVD ALEX CAI 01-Nov-16														
<table border="1"> <tr><td>0 PLC</td><td>±0.25</td></tr> <tr><td>1 PLC</td><td>±0.25</td></tr> <tr><td>2 PLC</td><td>±0.20</td></tr> <tr><td>3 PLC</td><td>±</td></tr> <tr><td>4 PLC</td><td>±</td></tr> <tr><td>ANGLES</td><td>±5°</td></tr> <tr><td>FINISH</td><td></td></tr> </table>		0 PLC		±0.25	1 PLC	±0.25	2 PLC	±0.20	3 PLC	±	4 PLC	±	ANGLES	±5°	FINISH	
0 PLC	±0.25															
1 PLC	±0.25															
2 PLC	±0.20															
3 PLC	±															
4 PLC	±															
ANGLES	±5°															
FINISH																
MATERIAL: -		SIZE: A200779 CAGE CODE: C-2170435 DRAWING NO: - RESTRICTED TO: - SCALE: 1:1 SHEET 2 OF 3 REV A														

THIS DRAWING IS UNPUBLISHED. RELEASED FOR PUBLICATION 20
 © COPYRIGHT 20 BY - TE CONNECTIVITY ALL RIGHTS RESERVED.

LOC	DIST	REVISIONS					
ES	00	P	LTR	DESCRIPTION	DATE	DWN	APVD
		-		SEE SHEET 1	-	-	-



1.55 ± 0.05
 $\oplus \phi 0.1 \text{ (L) A X Y}$
 -K-

DETAIL Z
 SCALE 8:1

DETAILED HOST BOARD MECHANICAL LAYOUT

THIS DRAWING IS A CONTROLLED DOCUMENT.		DWN PETER PAN 01-Nov-16	TE Connectivity
		CHK JASON YANG 01-Nov-16	
		APVD ALEX CAI 01-Nov-16	
		NAME CAGE ASSEMBLY, 10 GIGABIT, XFP	
DIMENSIONS:	TOLERANCES UNLESS OTHERWISE SPECIFIED:	PRODUCT SPEC 108-2127	SIZE CAGE CODE DRAWING NO RESTRICTED TO
mm	0 PLC ± 0.25 1 PLC ± 0.25 2 PLC ± 0.20 3 PLC \pm 4 PLC \pm ANGLES $\pm 5^\circ$ FINISH	APPLICATION SPEC 114-13096	A200779 C-2170435
MATERIAL		WEIGHT	SCALE 4:1 SHEET 3 OF 3 REV A
		CUSTOMER DRAWING	