

ONE PLACE DECIMALS ±.1[2.5] THREE PLACE DECIMALS ±.005[.13]  
TWO PLACE DECIMALS ±.01[.3] FOUR PLACE DECIMALS ±.0020[.051] ANGLES ± 2°

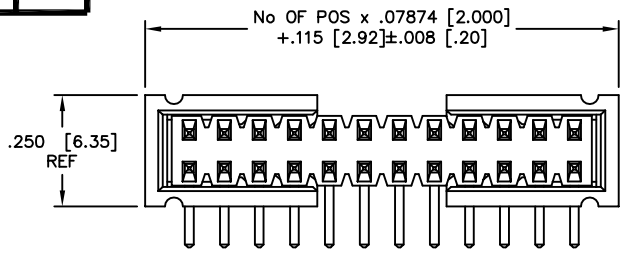


FIG. 2  
-ES

STYLE	TAIL	"A"	"B"	"C"	SHROUD
-01	-RA	.202 [5.13]	.260 [6.60]	.092 [2.35]	TMMH-ES-01
-04	-RA	.149 [3.78]	.207 [5.26]	.103 [2.62]	TMMH-ES-04
-05	-RA	.149 [3.78]	.207 [5.26]	.123 [3.12]	TMMH-ES-04

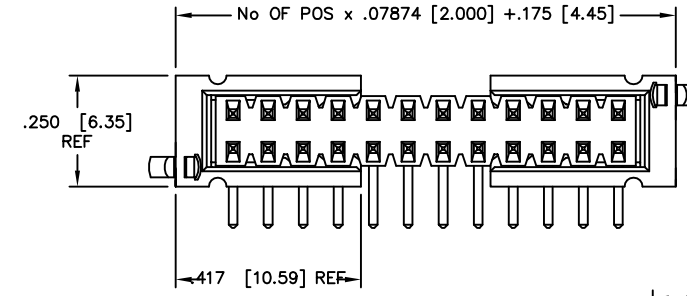
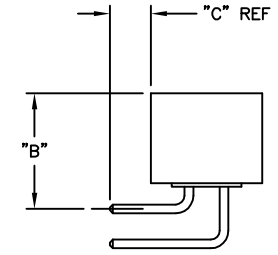
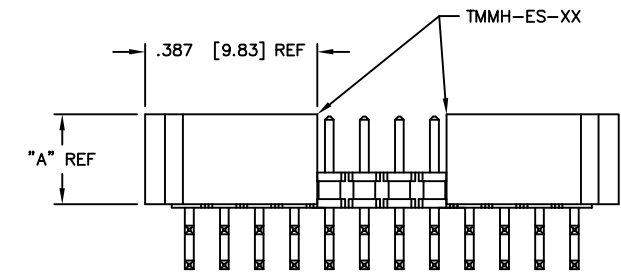


FIG. 3  
-EL

STYLE	TAIL	"A"	"B"	"C"	SHROUD
-01	-RA	.202 [5.13]	.260 [6.60]	.092 [2.35]	TMMH-EL-01
-04	-RA	.149 [3.78]	.207 [5.26]	.103 [2.62]	TMMH-EL-04
-05	-RA	.149 [3.78]	.207 [5.26]	.123 [3.12]	TMMH-EL-04

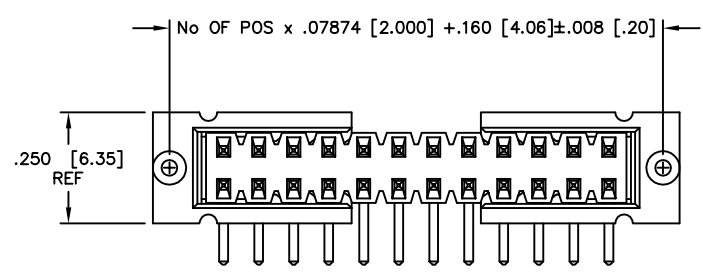
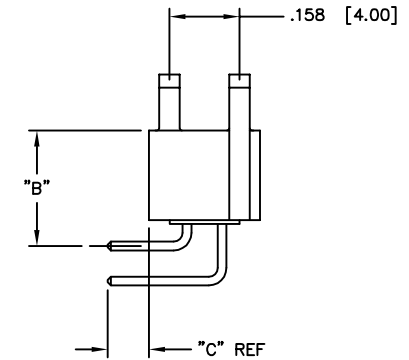
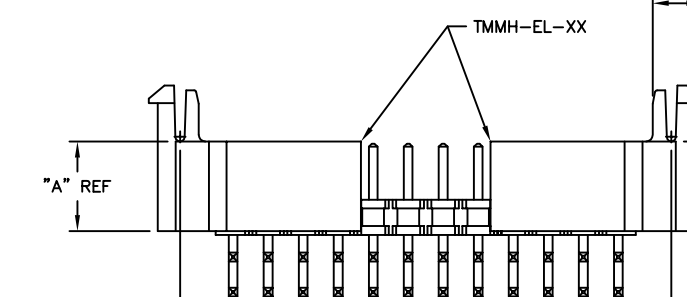


FIG. 4  
-EP

STYLE	TAIL	"A"	"B"	"C"	"D"	SHROUD
-01	-RA	.202 [5.13]	.260 [6.60]	.092 [2.35]	.175 [4.45]	TMMH-EP-01
-04	-RA	.149 [3.78]	.207 [5.26]	.103 [2.62]	.119 [3.02]	TMMH-EP-04
-05	-RA	.149 [3.78]	.207 [5.26]	.123 [3.12]	.119 [3.02]	TMMH-EP-04

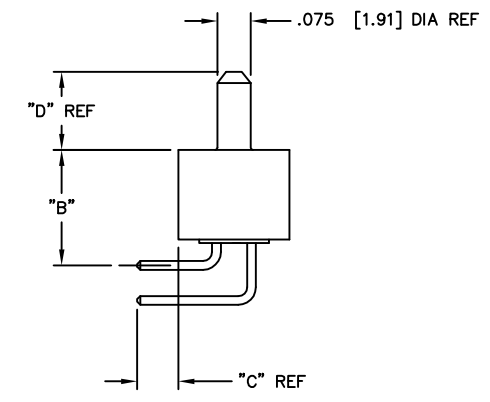
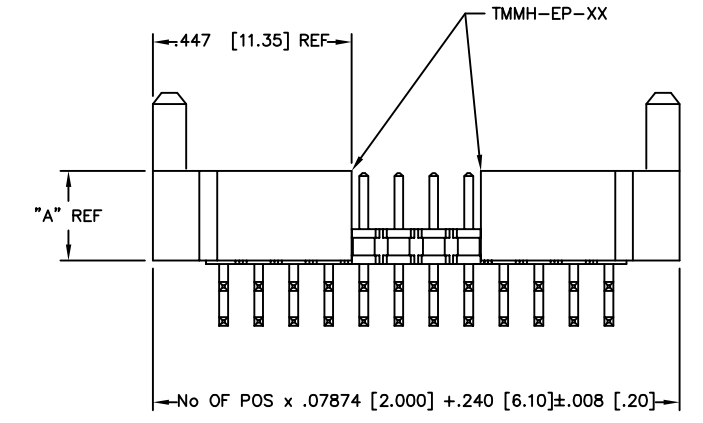
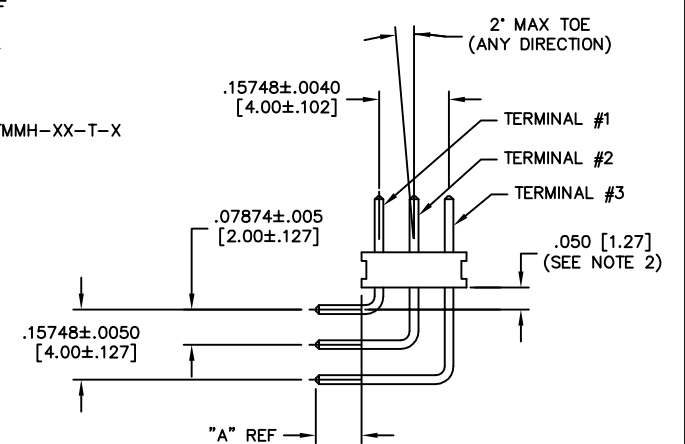
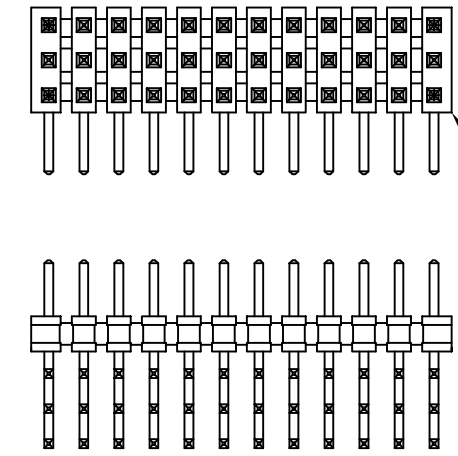
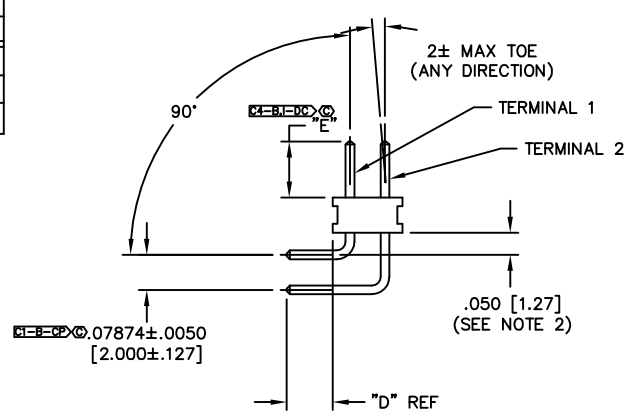


FIG. 5  
TRIPLE ROW -RA



STYLE	"D"	"E"	TERMINAL #1	TERMINAL #2
-01	.139 [3.53]	.126 [3.20]	T-1S13-19-XX-2	T-1S13-22-XX-2
-04	.150 [3.81]	.075 [1.91]	T-1S13-02-XX-2	T-1S13-03-XX-2
-05	.160 [4.06]	.065 [1.65]	T-1S13-02-XX-2	T-1S13-03-XX-2

IN-PROCESS FOR -ES, -EP, & -EL OPTIONS



ALL FIGURES  
DIFFERENT AS SHOWN,  
OTHERWISE SAME AS FIG. 1  
**PATENT PENDING**

CRITICAL DIMENSION INSPECTION INSTRUCTION TABLE	
ASSEMBLY OPERATION	IN-PROCESS INSPECTION
FILL	C2, C4
RA	C1
CPCs INTENTIONALLY DELETED: C3	

**PROPRIETARY NOTE**  
THIS DOCUMENT CONTAINS INFORMATION CONFIDENTIAL AND PROPRIETARY TO SAMTEC INC. AND SHALL NOT BE REPRODUCED OR TRANSFERRED TO OTHER DOCUMENTS OR DISCLOSED TO OTHERS OR USED FOR ANY PURPOSE OTHER THAN THAT FOR WHICH IT WAS OBTAINED WITHOUT THE EXPRESSED WRITTEN CONSENT OF SAMTEC INC.

DO NOT SCALE FROM THIS PRINT

EXISPROD\ASSEMBLY\2MM TMMH-RA2

520 PARK EAST BLVD. NEW ALBANY, INDIANA 47150  
PHONE (812) 944-6733 P.O. BOX 1147  
CODE 55322

MADE BY: PURVIS 12-17-96 TMMH-1XX-XX-XX-X-XX-XX-XXX SHEET 2 OF 2