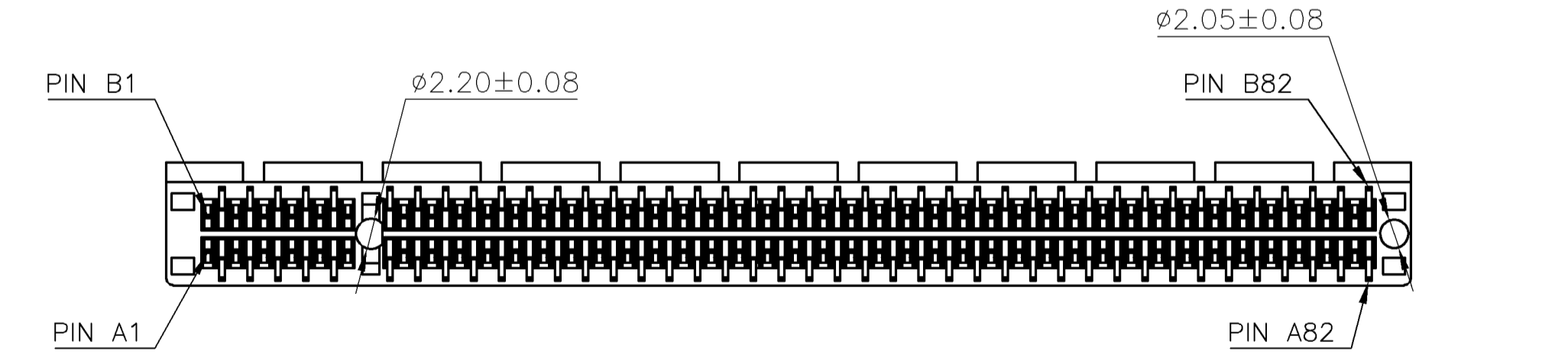
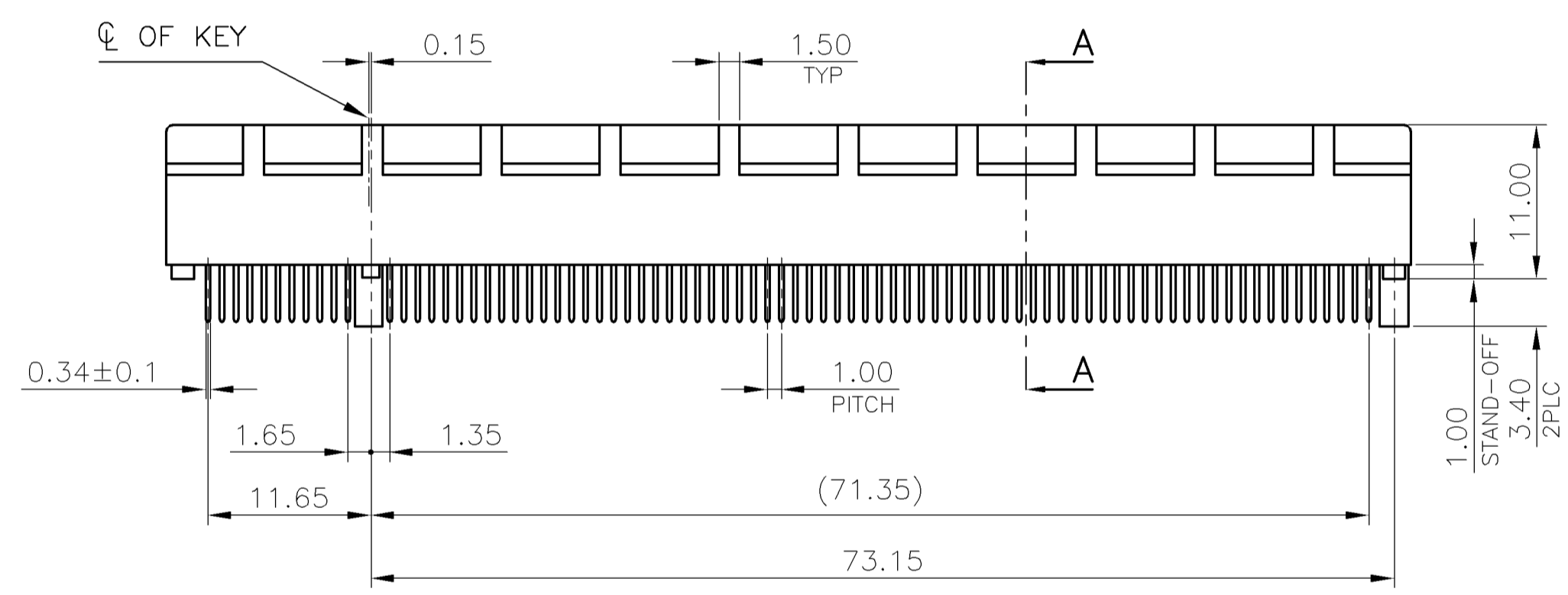
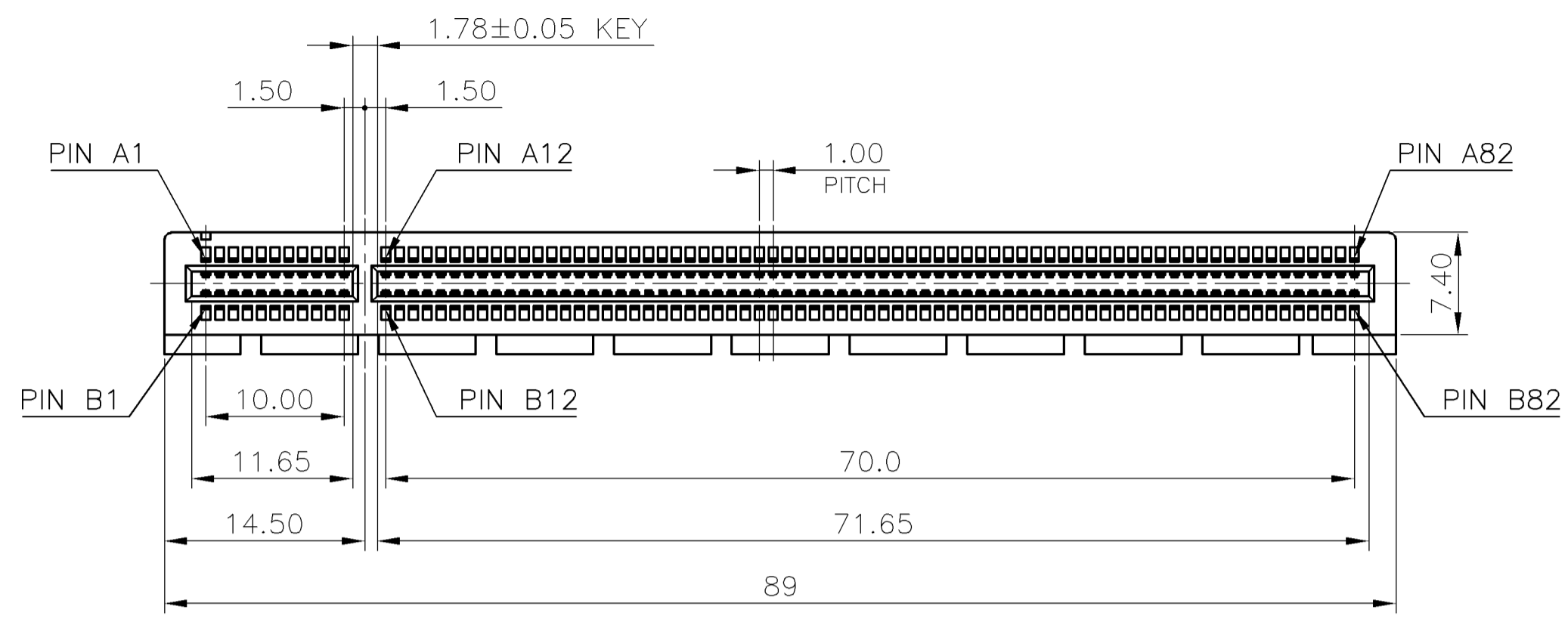
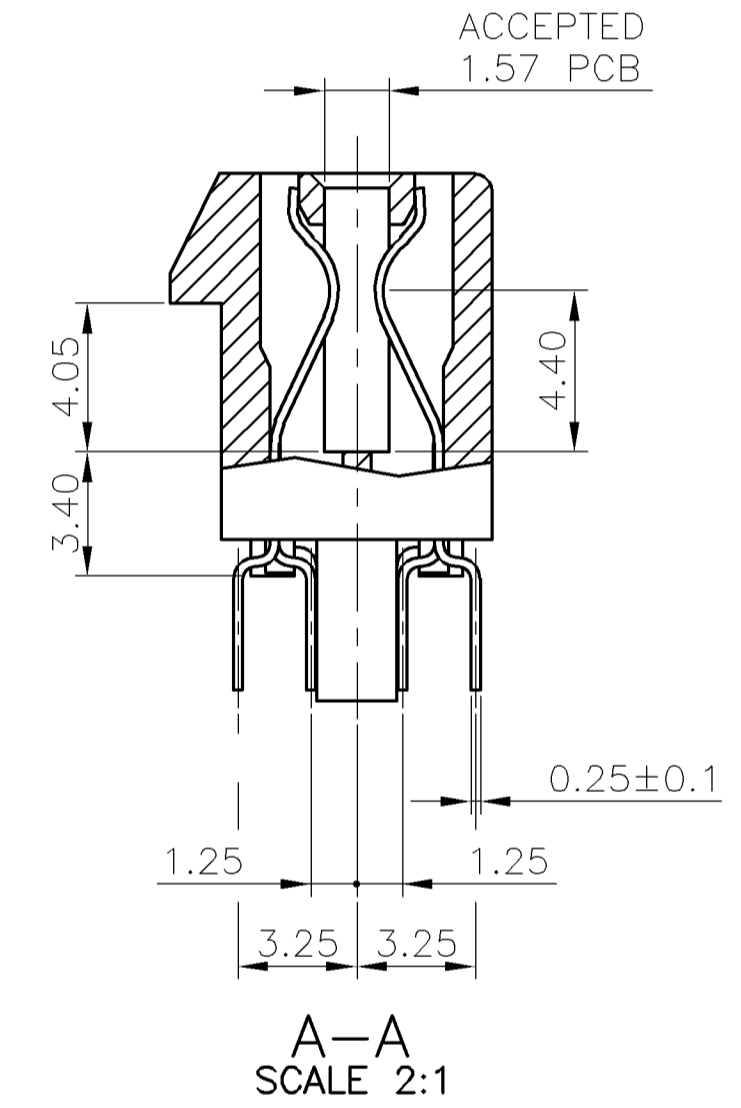
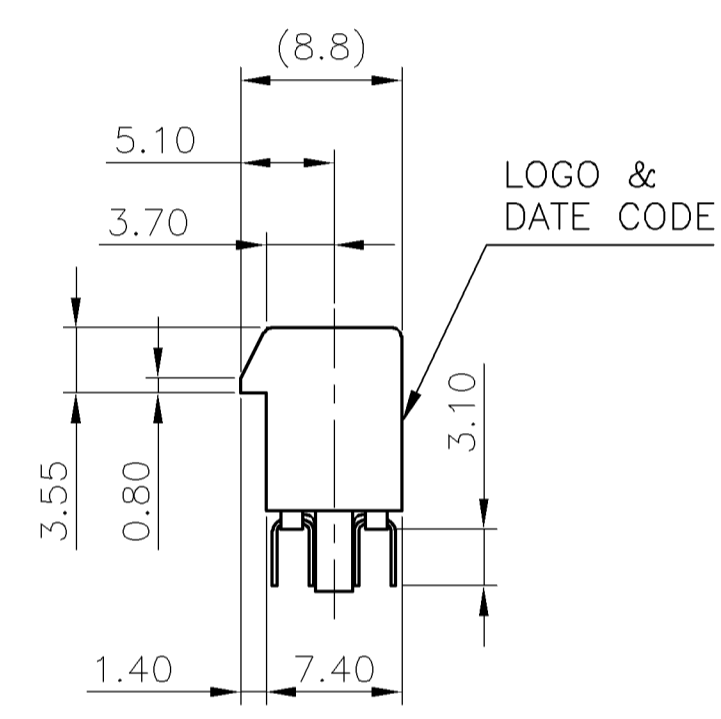


THIS DRAWING IS UNPUBLISHED. RELEASED FOR PUBLICATION AUG ,2006.
 © COPYRIGHT - BY TYCO ELECTRONICS CORPORATION. ALL RIGHTS RESERVED.

LOC		DIST		REVISIONS			
P	LTR	DESCRIPTION		DATE	DWN	APVD	
	A1	REVISED (ECR-11-008810) CORRECT NOTE 3 & CHANGE PRODUCT SPEC TO 108-57871		27APR'11	E.L.	W.K.	



- NOTES:
- MATERIAL:
 - HOUSING: PA46 WITH 40% G.F, UL94 V-0, COLOR: NATURAL.
 - CONTACT: PHOSPHOR BRONZE.
 - FINISH:
 - CONTACT: 0.381um [15u"] MIN. GOLD PLATING ON CONTACT AREA.
 - 2.54um [100u"] MIN. MATTE-TIN PALTING ON SOLDER TAIL AREA.
 - 1.27um [50u"] MIN. NICKEL UNDERPLATING OVERALL.
 - WAVE SOLDER CAPABLE TO 265°C PER TEST SPEC. 109-202 CONDITION B.
 - WEIGHT: 8.30 GRAMS



8.40	164	1759921-4
WEIGHT (g)	POS	PART NUMBER

THIS DRAWING IS A CONTROLLED DOCUMENT.		DWN B. HSING 08MAY2009	TE Connectivity PCI EXPRESS CARD EDGE CONNECTOR VERTICAL, DIP TYPE, 3GIO				
DIMENSIONS: MM		CHK S. CHIEN 08MAY2009				NAME	
TOLERANCES UNLESS OTHERWISE SPECIFIED:		APVD W. KODAMA 08MAY2009				PRODUCT SPEC	
0 PLC ± - 1 PLC ± 0.3 2 PLC ± 0.2 3 PLC ± 0.15 4 PLC ± - ANGLES ± 3°		APPLICATION SPEC				108-57871	
MATERIAL SEE NOTE		FINISH SEE NOTE	WEIGHT SEE NOTE 4	SIZE A3	CAGE CODE 00779	DRAWING NO C=1759921	RESTRICTED TO
CUSTOMER DRAWING			SCALE -	SHEET 1 OF 3	REV A1		

THIS DRAWING IS UNPUBLISHED.

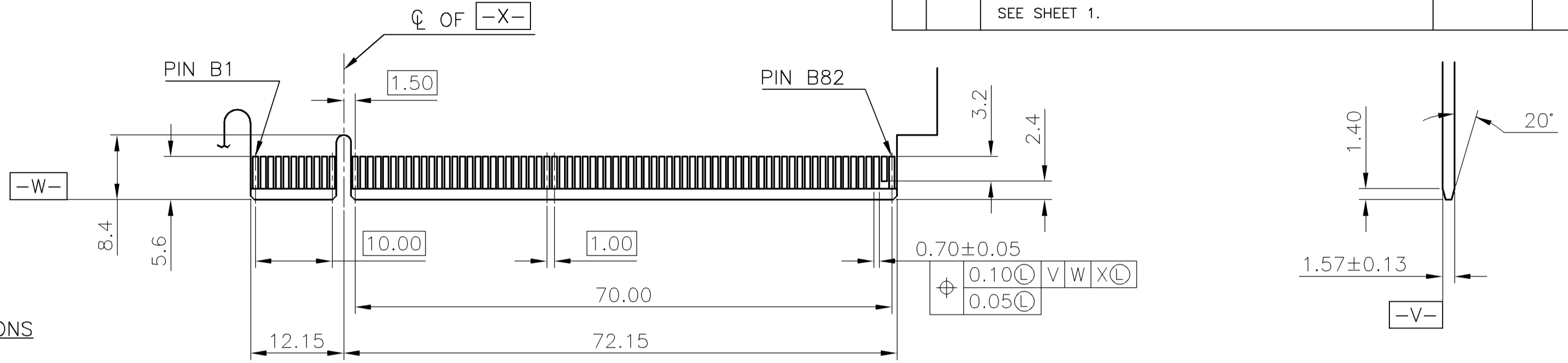
RELEASED FOR PUBLICATION AUG ,2006.

© COPYRIGHT BY TYCO ELECTRONICS CORPORATION. ALL RIGHTS RESERVED.

LOC DW DIST

REVISIONS

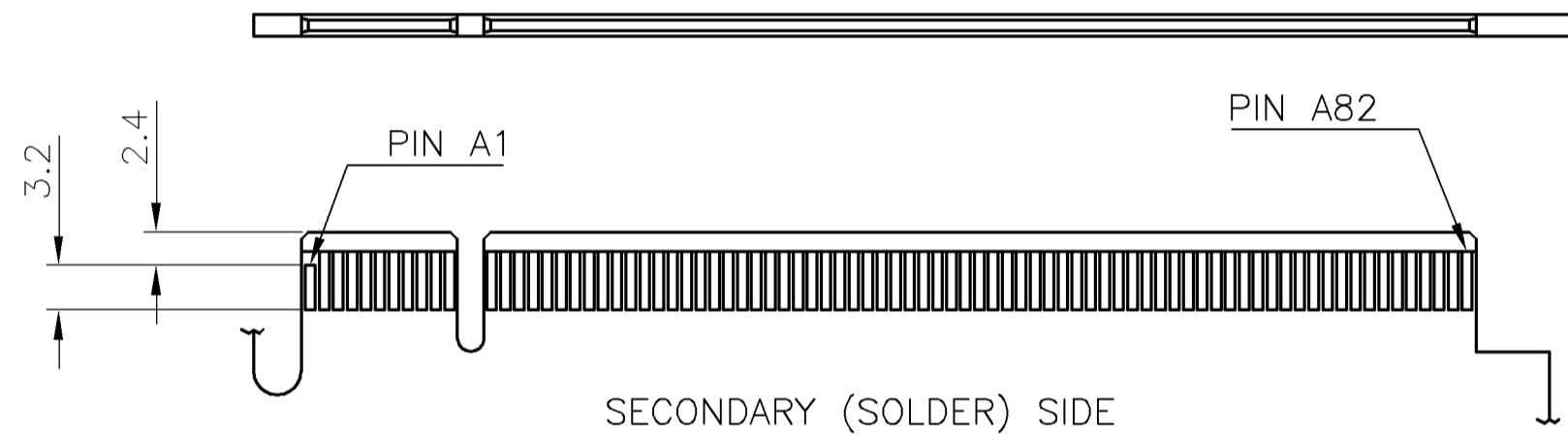
P	LTR	DESCRIPTION	DATE	DWN	APVD
		SEE SHEET 1.			



ADD-IN CARD EDGE-FINGER DIMENSIONS

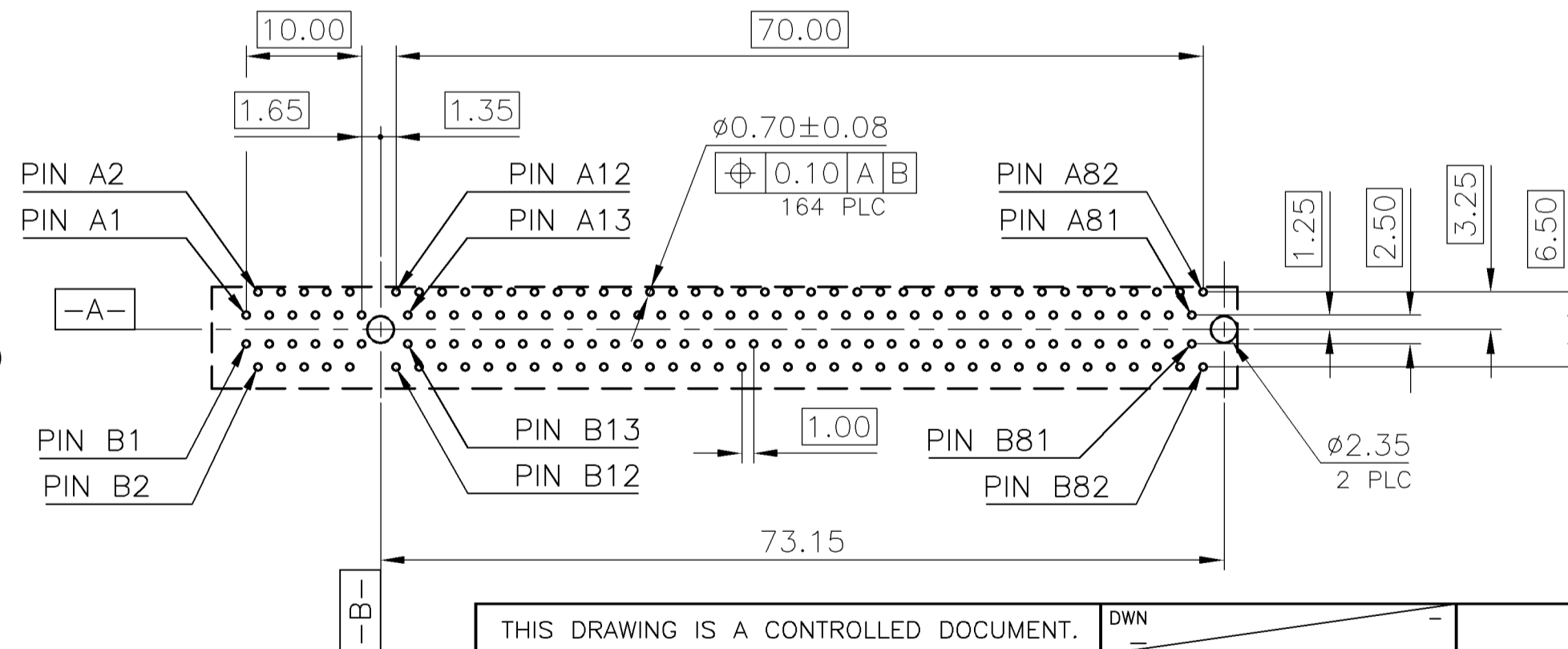
NOTES:
CHAMFER EDGE MUST BE FREE OF CUTTING BURRS

I/O PANEL DIRECTION
PRIMARY (COMPONENT) SIDE



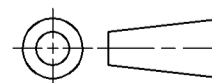
RECOMMENDED PCB LAYOUT

TOLERANCE: ±0.05
(APPLY TO P.C.B THICKNESS: 2.36mm)



THIS DRAWING IS A CONTROLLED DOCUMENT.

DIMENSIONS: MM



TOLERANCES UNLESS OTHERWISE SPECIFIED:

0 PLC	±
1 PLC	±
2 PLC	±
3 PLC	±
4 PLC	±
ANGLES	±
FINISH	

MATERIAL

DWN	
CHK	
APVD	
PRODUCT SPEC	
APPLICATION SPEC	
WEIGHT	
CUSTOMER DRAWING	

STE TE Connectivity

PCI EXPRESS CARD EDGE CONNECTOR
VERTICAL, DIP TYPE, 3GIO

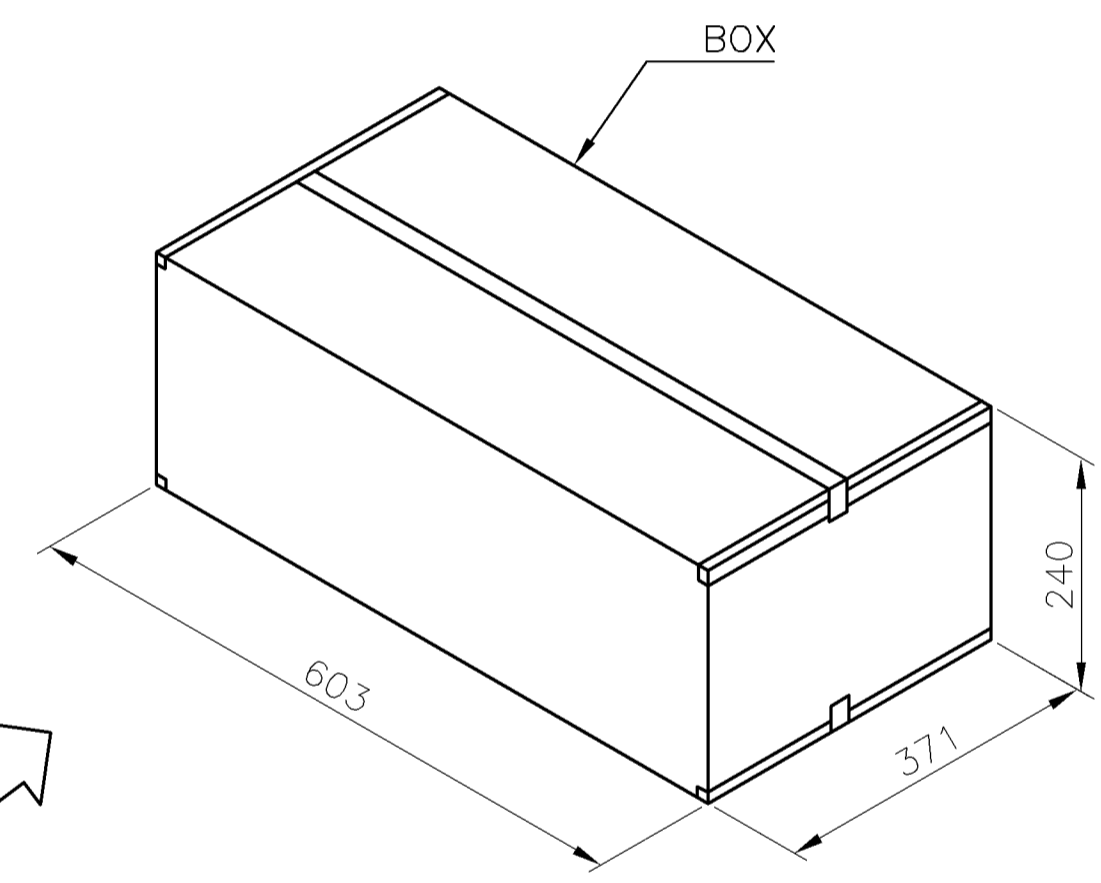
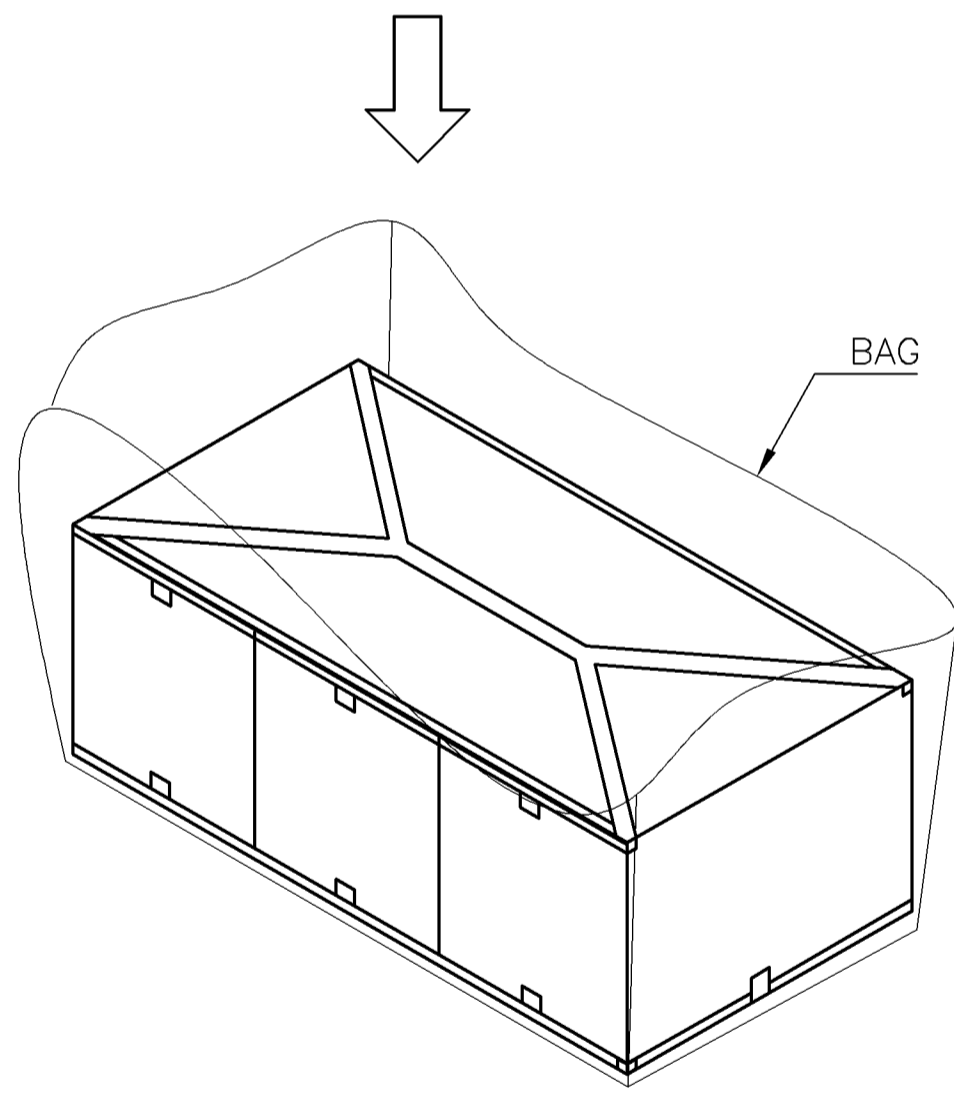
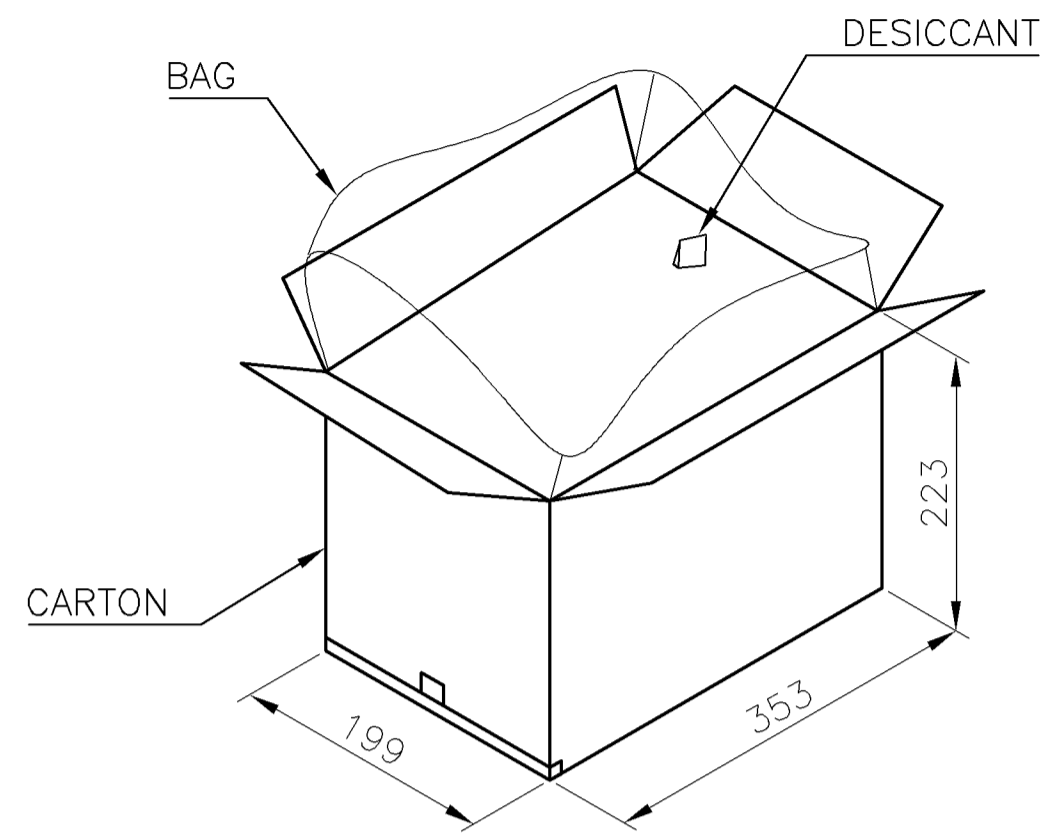
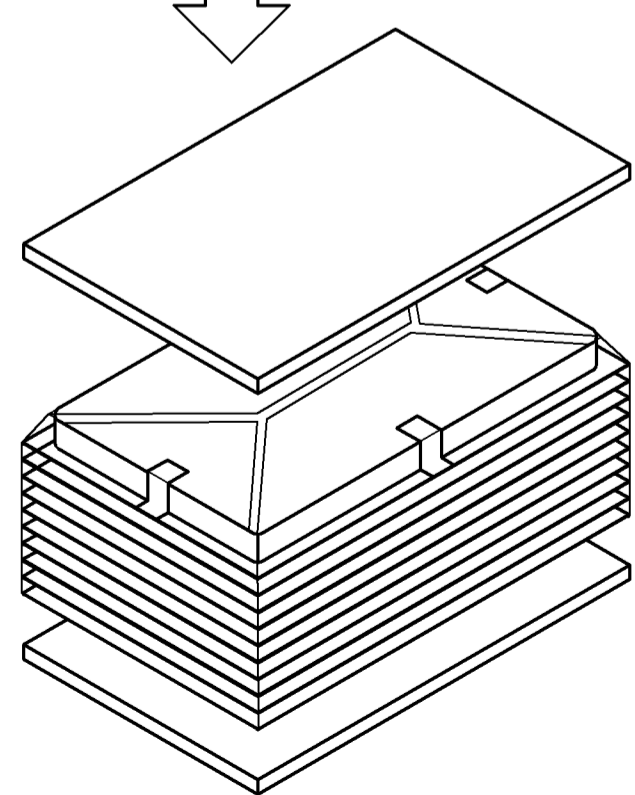
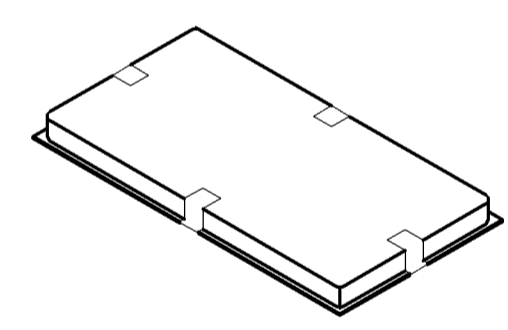
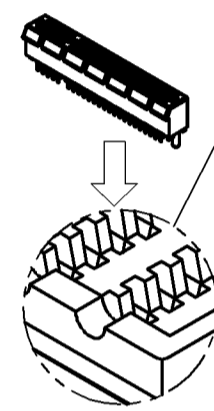
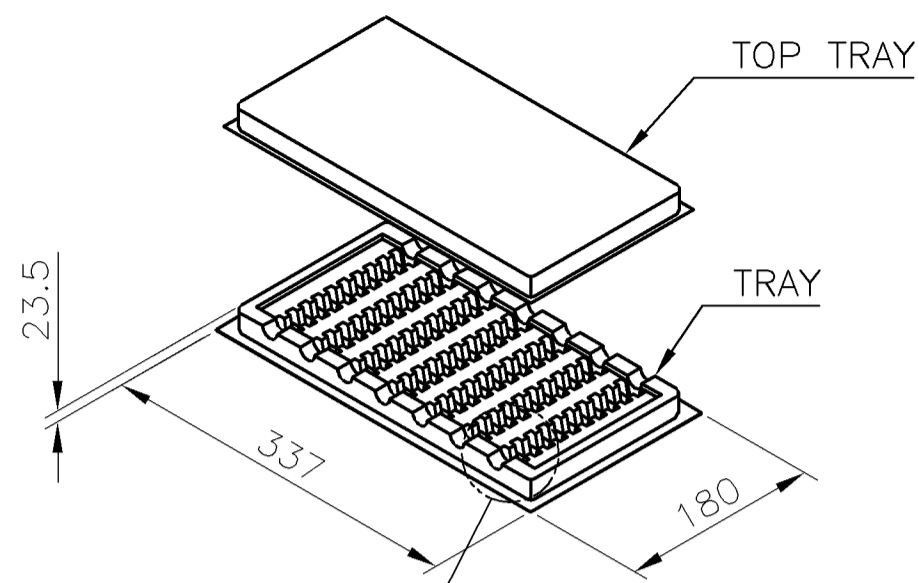
NAME	SIZE	CAGE CODE	DRAWING NO	RESTRICTED TO
	A3	00779	C=1759921	

SCALE	SHEET	REV
	2 OF 3	A1

LOC DW DIST

REVISIONS

P	LTR	DESCRIPTION	DATE	DWN	APVD
		SEE SHEET 1.			



- NOTES :
- MATERIAL :
 TRAY : PVC, COLOR: TRANSPARENT.
 CARTON: CORRUGATED FIBER
 BOX: CORRUGATED FIBER
 - DIMENSION :
 TRAY: SEE DRAWING
 CARTON: SEE DRAWING
 BOX : SEE DRAWING
 - QUANTITY : SEE TABLE
 - WEIGHT : SEE TABLE

10.2 Kg	8.2 Kg	30	10	3	900	164
GROSS WEIGHT	NET WEIGHT	PCS/ TRAY	TRAY/ CARTON	CARTON/ BOX	PCS/ BOX	POS.

THIS DRAWING IS A CONTROLLED DOCUMENT.		DWN	TE Connectivity PCI EXPRESS CARD EDGE CONNECTOR VERTICAL, DIP TYPE, 3GIO				
DIMENSIONS: MM		CHK					NAME
		APVD					PRODUCT SPEC
TOLERANCES UNLESS OTHERWISE SPECIFIED: 0 PLC ± - 1 PLC ± - 2 PLC ± - 3 PLC ± - 4 PLC ± - ANGLES ± - MATERIAL FINISH		APPLICATION SPEC					WEIGHT
		SIZE CAGE CODE DRAWING NO RESTRICTED TO A3 00779 C-1759921					
		CUSTOMER DRAWING		SCALE	SHEET 3 OF 3	REV A1	