

THIS DRAWING IS UNPUBLISHED.

RELEASED FOR PUBLICATION

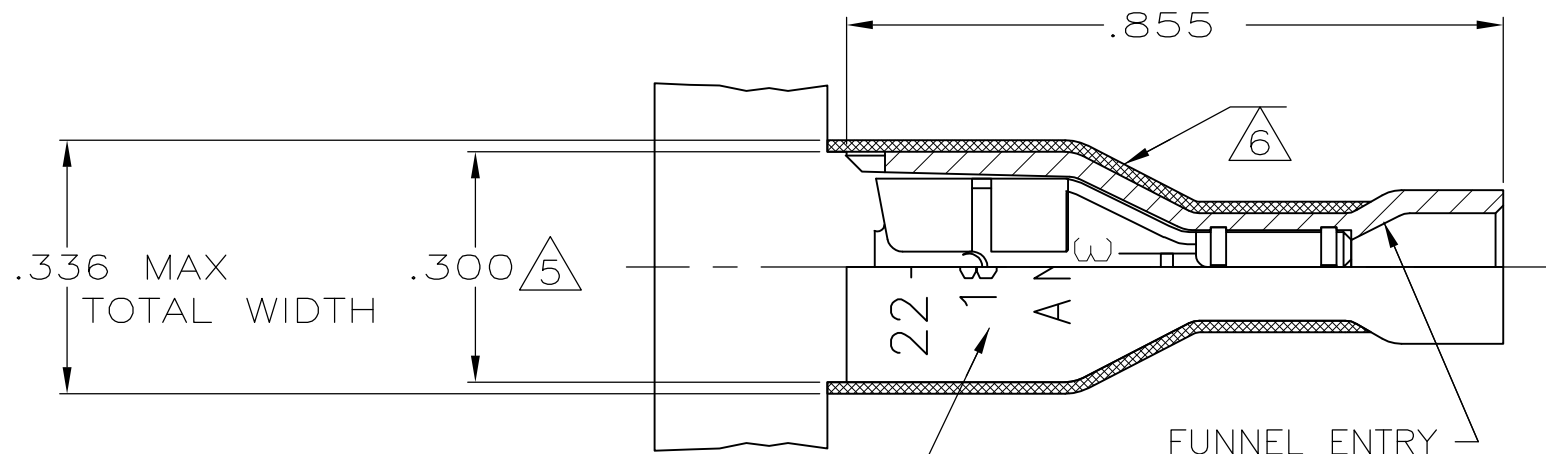
ALL RIGHTS RESERVED.

© COPYRIGHT - By -

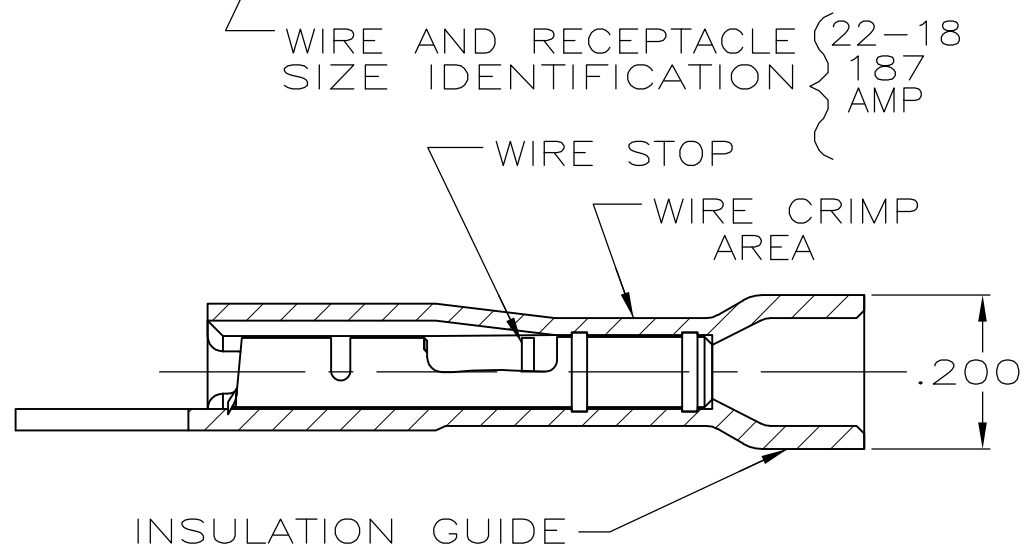
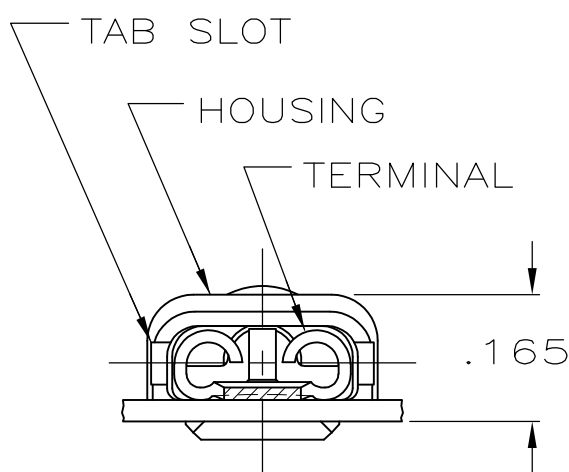
LOC AF DIST 50

REVISIONS


P	LTR	DESCRIPTION	DATE	DWN	APVD
U		REVISED PER ECR-12-005303	18JUL12	KH	KR



- 1 MATES WITH .032±.001x.187 TAB
- 2 WIRE STRIP LENGTH .281
- 3 INSULATION SIZE .135 MAX DIA
- 4 CONTINUOUS STRIP ON REELS
- △ 5 DIMENSION DOES NOT INCLUDE TRIM BURR
- △ 6 .015 MAX CARRIER TRIM BURR PER SIDE IS ALLOWABLE IN THE SHADED AREA



HOUSING: NYLON, COLOR-BLACK RECEPTACLE: #3 HARD BRASS TIN	9-520193-2
HOUSING: NYLON, COLOR-RED TRANSLUCENT RECEPTACLE: #3 HARD BRASS TIN	2-520193-2
MATERIAL & FINISH	PART NO.

THIS DRAWING IS A CONTROLLED DOCUMENT.		DWN P FORTNEY 10/13/88	 TE Connectivity NAME RECEPTACLE ASSY, ULTRA-FAST, .187 SERIES, 22-18 AWG				
DIMENSIONS: INCHES		CHK JR RUTH 10/13/88				PRODUCT SPEC 108-2043	RESTRICTED TO
TOLERANCES UNLESS OTHERWISE SPECIFIED:		APVD D BRATINA 10/13/88				APPLICATION SPEC 114-2123	SCALE 4:1
MATERIAL SEE TABLE		FINISH SEE TABLE				WEIGHT -	SHEET 1 OF 1
0 PLC ± - 1 PLC ± - 2 PLC ± - 3 PLC ± .015 4 PLC ± - ANGLES ± -		SIZE A3 CAGE CODE 00779 DRAWING NO C-520193		REV U			
CUSTOMER DRAWING		SCALE 4:1 SHEET 1 OF 1 REV U					