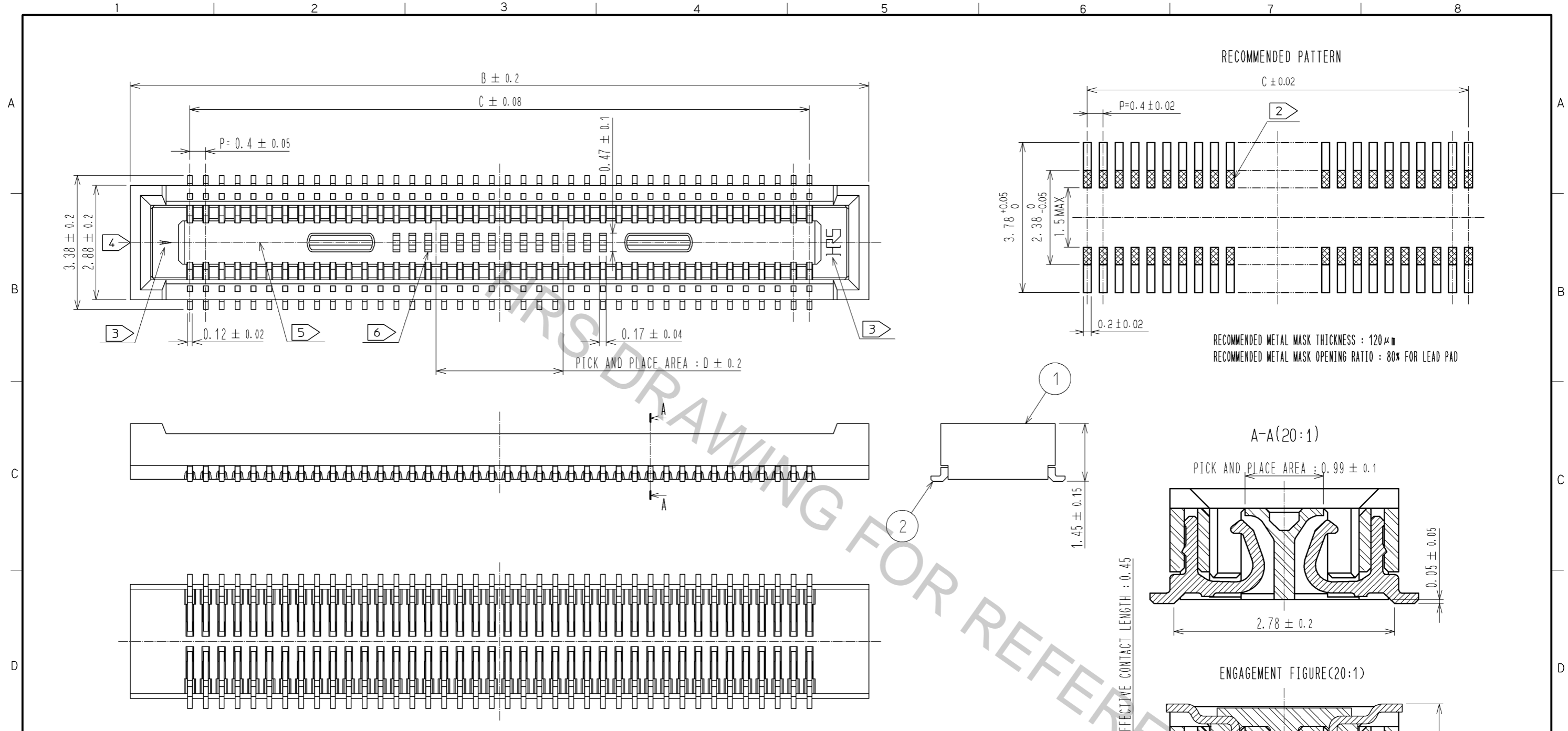


Apr.1.2017 Copyright 2017 HIROSE ELECTRIC CO., LTD. All Rights Reserved.

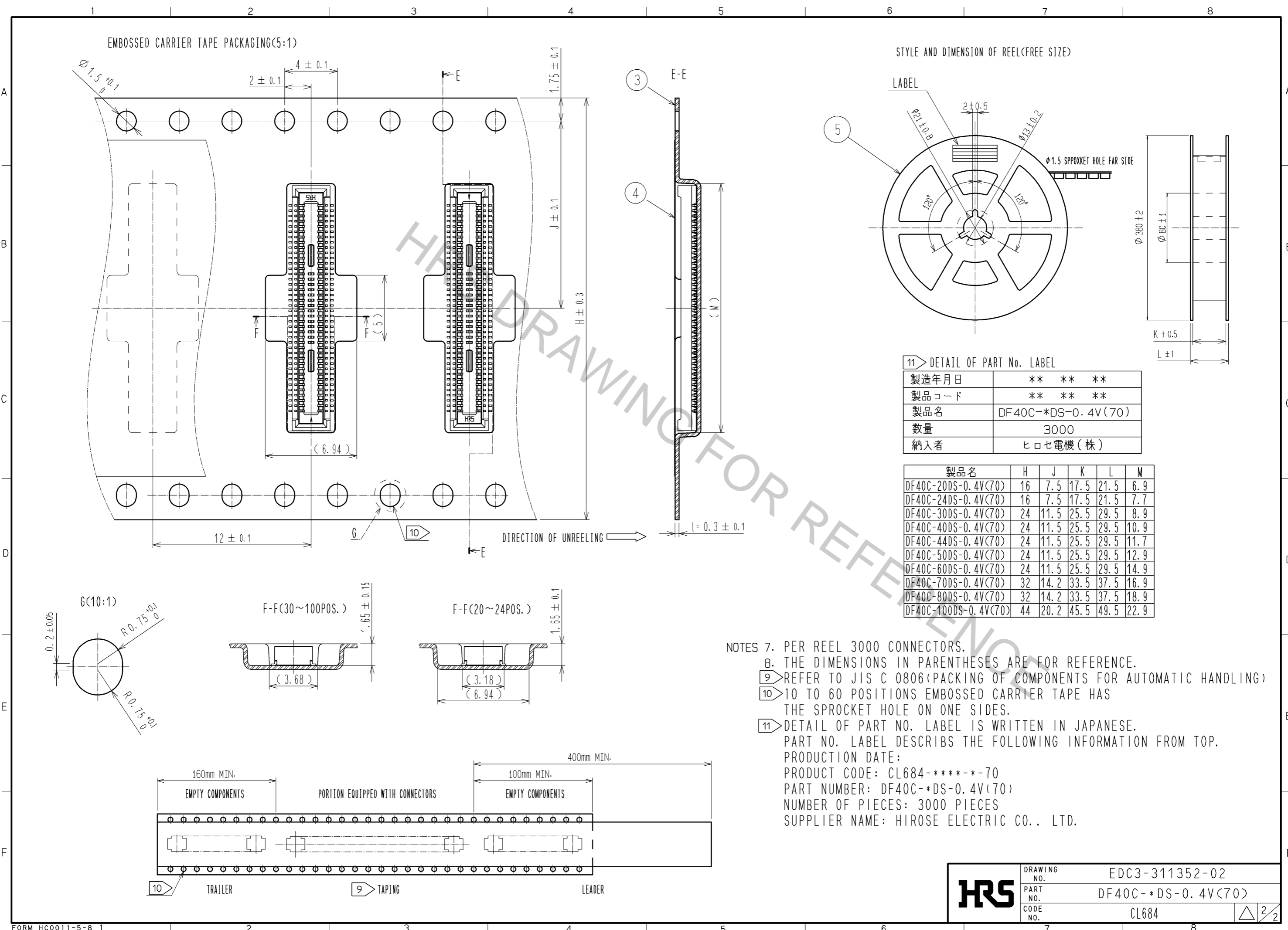


- NOTES) 1. ALL LEADS CO-PLANARITY SHALL BE 0.1 MAX.
 2. IS NO PATTERN AREA OTHER THAN THE SAME CIRCUIT.
 3. HRS MARK AND CAV NO. IS INDICATED IN APPROXIMAL POSITION SHOWN.
 4. GATE POSITION OF 20 TO 50 POSITIONS IS POSITIONED IN APPROXIMAL AREA SHOWN.
 5. GATE POSITION OF 60 TO 100 POSITIONS IS POSITIONED IN APPROXIMAL AREA SHOWN.
 6. 60 TO 100 POSITIONS HAVE CONCAVE PORTION.

製品名	製品コード	B	C	D
DF40C-20DS-0.4V(70)	CL684-4005-9-70	6.6	3.6	1.0
DF40C-24DS-0.4V(70)	CL684-4006-1-70	7.4	4.4	1.2
DF40C-30DS-0.4V(70)	CL684-4007-4-70	8.6	5.6	1.5
DF40C-40DS-0.4V(70)	CL684-4008-7-70	10.6	7.6	3.2
DF40C-44DS-0.4V(70)	CL684-4096-4-70	11.4	8.4	3.2
DF40C-50DS-0.4V(70)	CL684-4009-0-70	12.6	9.6	3.2
DF40C-60DS-0.4V(70)	CL684-4004-6-70	14.6	11.6	3.2
DF40C-70DS-0.4V(70)	CL684-4016-5-70	16.6	13.6	3.2
DF40C-80DS-0.4V(70)	CL684-4002-0-70	18.6	15.6	3.2
DF40C-100DS-0.4V(70)	CL684-4033-4-70	22.6	19.6	3.2

2	PHOSPHOR BRONZE	CONTACT AREA: GOLD 0.05 μm MIN	5	PS	BLACK			
		SMT LEAD: GOLD 0.05 μm MIN						
		UNDERPLATING: NICKEL 1 μm MIN						
1	LCP	BLACK, UL94V-0	3	PS	CLEAR, EMBOSSED CARRIER TAPE			
NO.	MATERIAL	FINISH . REMARKS	NO.	MATERIAL	FINISH . REMARKS			
UNITS mm		SCALE 10:1	COUNT △	DESCRIPTION OF REVISIONS		DESIGNED	CHECKED	DATE
HRS HIROSE ELECTRIC CO., LTD.		APPROVED : KH. IKEDA	09.10.19	DRAWING NO.		EDC3-311352-02		
		CHECKED : AR. TAKAHASHI	09.10.17	PART NO.		DF40C- *DS-0.4V(70)		
		DESIGNED : TK. SUZUKI	09.10.17	CODE NO.		CL684		
		DRAWN : KR. AJITO	09.10.16					

Apr.1.2017 Copyright 2017 HIROSE ELECTRIC CO., LTD. All Rights Reserved.



11) DETAIL OF PART No. LABEL

製造年月日	** ** *
製品コード	** ** *
製品名	DF40C-*DS-0.4V(70)
数量	3000
納入者	ヒロセ電機(株)

製品名	H	J	K	L	M
DF40C-20DS-0.4V(70)	16	7.5	17.5	21.5	6.9
DF40C-24DS-0.4V(70)	16	7.5	17.5	21.5	7.7
DF40C-30DS-0.4V(70)	24	11.5	25.5	29.5	8.9
DF40C-40DS-0.4V(70)	24	11.5	25.5	29.5	10.9
DF40C-44DS-0.4V(70)	24	11.5	25.5	29.5	11.7
DF40C-50DS-0.4V(70)	24	11.5	25.5	29.5	12.9
DF40C-60DS-0.4V(70)	24	11.5	25.5	29.5	14.9
DF40C-70DS-0.4V(70)	32	14.2	33.5	37.5	16.9
DF40C-80DS-0.4V(70)	32	14.2	33.5	37.5	18.9
DF40C-100DS-0.4V(70)	44	20.2	45.5	49.5	22.9

NOTES

7. PER REEL 3000 CONNECTORS.

8. THE DIMENSIONS IN PARENTHESES ARE FOR REFERENCE.

9) REFER TO JIS C 0806(PACKING OF COMPONENTS FOR AUTOMATIC HANDLING)

10) 10 TO 60 POSITIONS EMBOSSED CARRIER TAPE HAS THE SPROCKET HOLE ON ONE SIDES.

11) DETAIL OF PART No. LABEL IS WRITTEN IN JAPANESE. PART No. LABEL DESCRIBES THE FOLLOWING INFORMATION FROM TOP.
 PRODUCTION DATE:
 PRODUCT CODE: CL684-****-*-70
 PART NUMBER: DF40C-*DS-0.4V(70)
 NUMBER OF PIECES: 3000 PIECES
 SUPPLIER NAME: HIROSE ELECTRIC CO., LTD.

HRS	DRAWING NO.	EDC3-311352-02
	PART NO.	DF40C-*DS-0.4V(70)
	CODE NO.	CL684
		△ 2/2