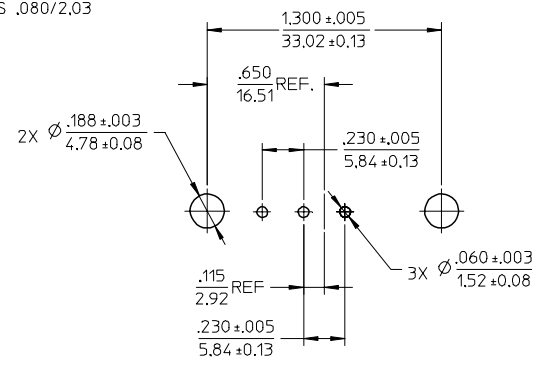
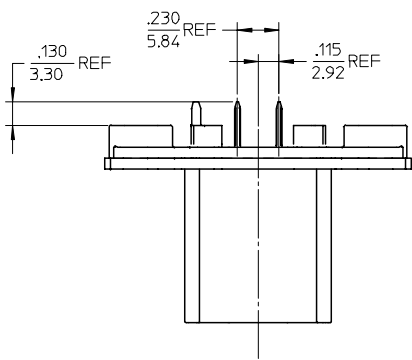
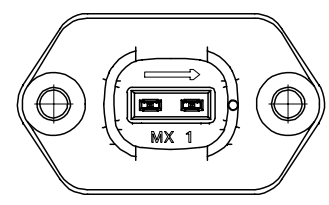
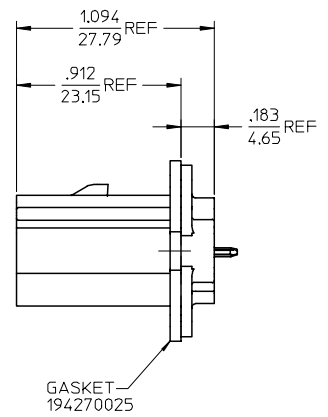
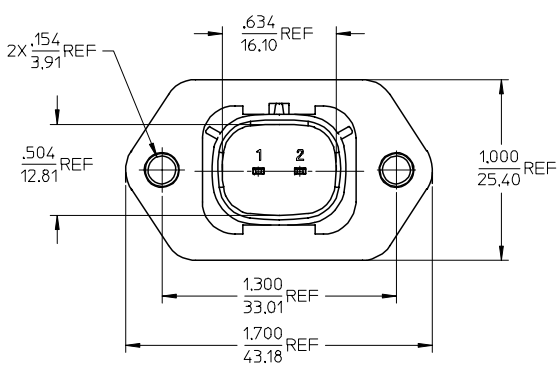


RECOMMENDED PANEL CUTOUT - MAX PANEL THICKNESS .080/2.03



RECOMMENDED PCB LAYOUT COMPONENT SIDE
TOLERANCES ARE NON-ACCUMULATIVE



- NOTES:
- MATERIALS:
HOUSING: POLYESTER (PBT), GLASS FILLED, UL94 V-0,
COLOR: BLACK
TERMINALS: COPPER ALLOY
 - FINISHES: 1. TIN ONLY: 100µN TIN OVER 50µN NICKEL
2. TIN/GOLD: 30µN SELECT GOLD (CONTACT MATING AREA),
100µN SELECT TIN (PCB TAIL AREA) OVER 50µN NICKEL OVERALL.
 - PRODUCT SPECIFICATION: PS-19428-001.
 - PACKAGING SPECIFICATION: PK-19428-002.
 - MATES WITH: 19418 SERIES RECEPTACLE ASSEMBLIES.

PRODUCTION RELEASE EC NO: ETC2005-0213 DRWN: JPAML CK 2005/06/10 CHKD: JPAML CK 2005/06/14 APPR: RDEROSS 2005/06/14	QUALITY SYMBOLS 	GENERAL TOLERANCES (UNLESS SPECIFIED)		DIMENSION STYLE IN/MM		SCALE 2:1	DESIGN UNITS INCH	THIRD ANGLE PROJECTION	
		4 PLACES ± --- ± --- 3 PLACES ± --- ± .015 2 PLACES ± 0.38 ± --- 1 PLACE ± --- ± --- ANGULAR ± 1°	DRAWN BY BRUPERT DATE 04/06/23 CHECKED BY DATE 04/06/23 APPROVED BY RDEROSS DATE 04/06/23	TITLE 2-WAY STRAIGHT HEADER ASSEMBLY, SHORT VERSION		MATERIAL NO. SEE CHART		DOCUMENT NO. SD-19428-001	
DRAFT WHERE APPLICABLE MUST REMAIN WITHIN DIMENSIONS		THIS DRAWING CONTAINS INFORMATION THAT IS PROPRIETARY TO MOLEX INCORPORATED AND SHOULD NOT BE USED WITHOUT WRITTEN PERMISSION							

MATERIAL NUMBER	TERMINAL PLATING
194280009	TIN
194280025	SELECT GOLD/TIN