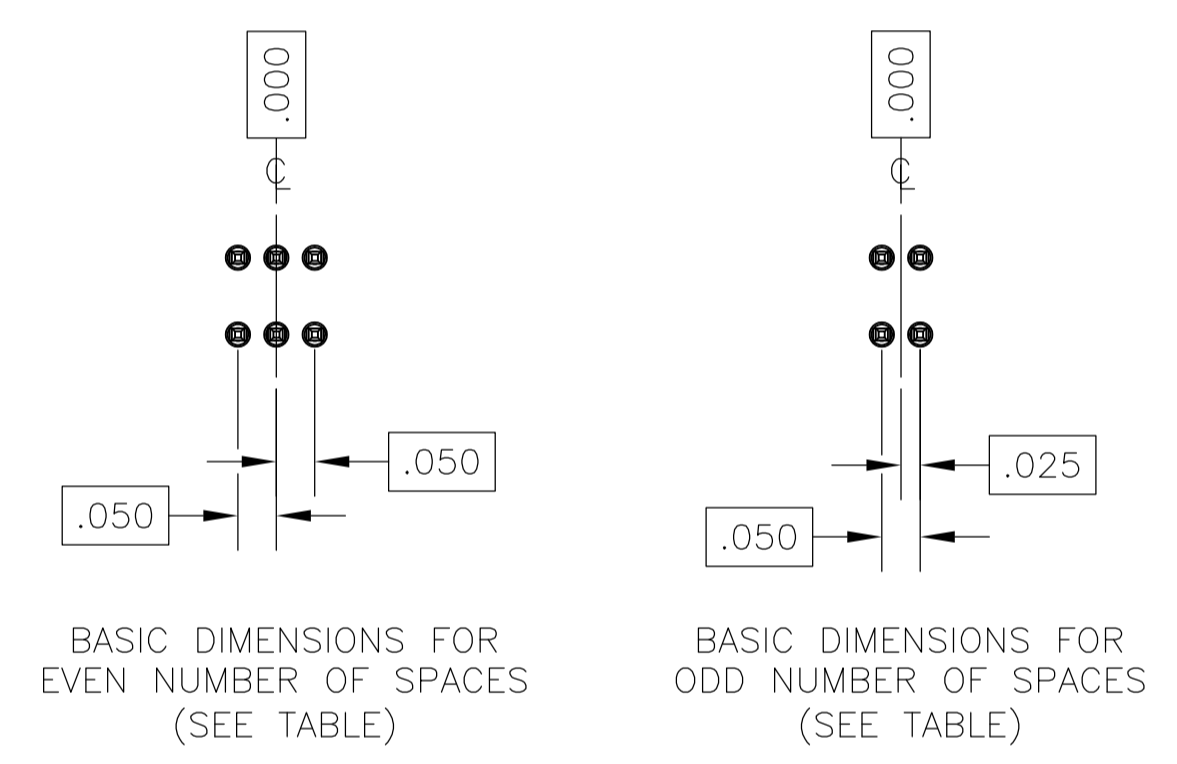
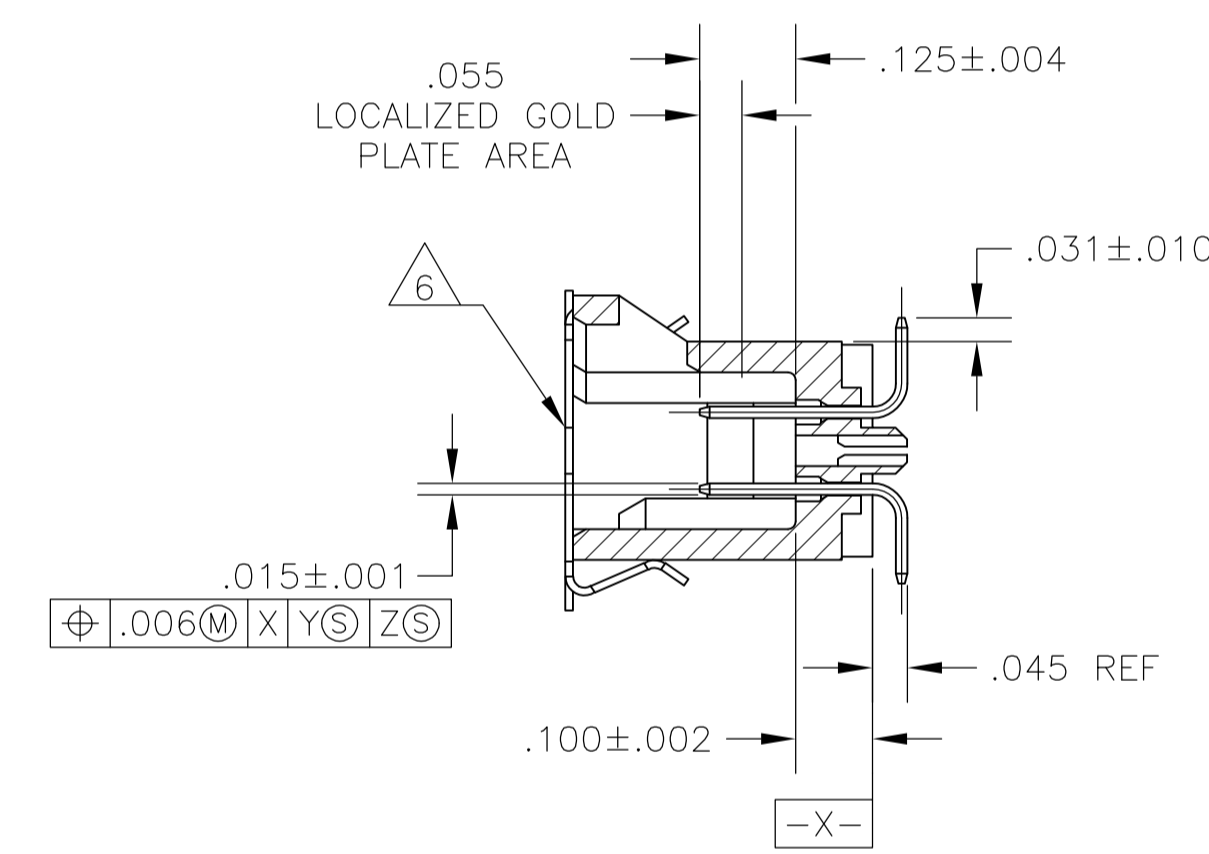
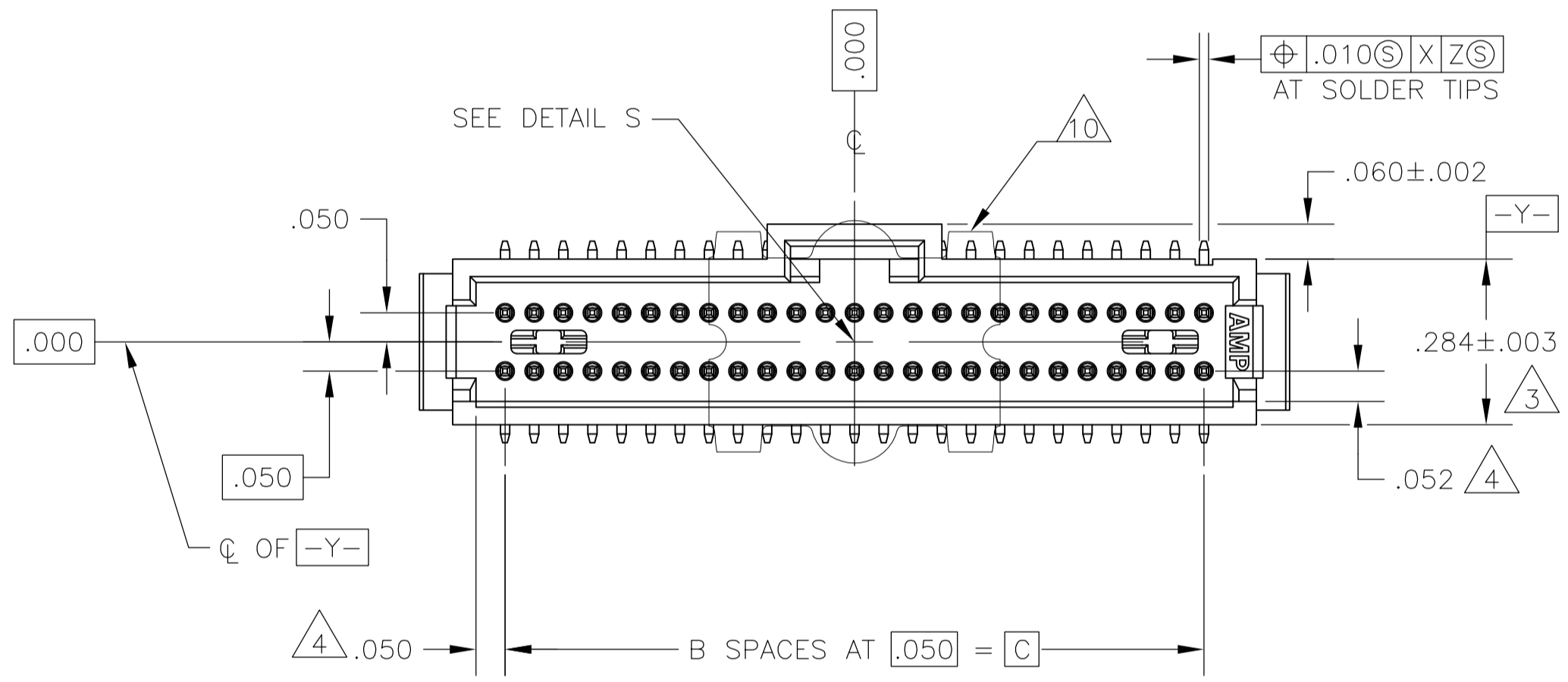
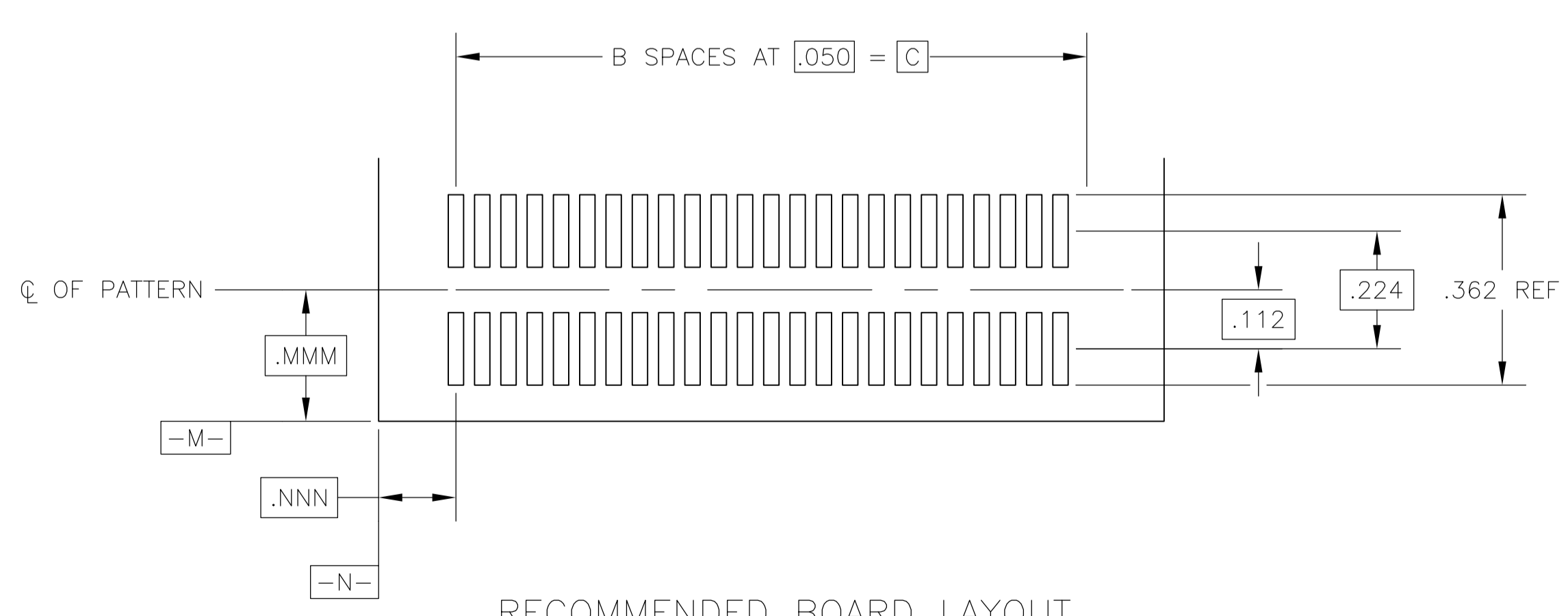


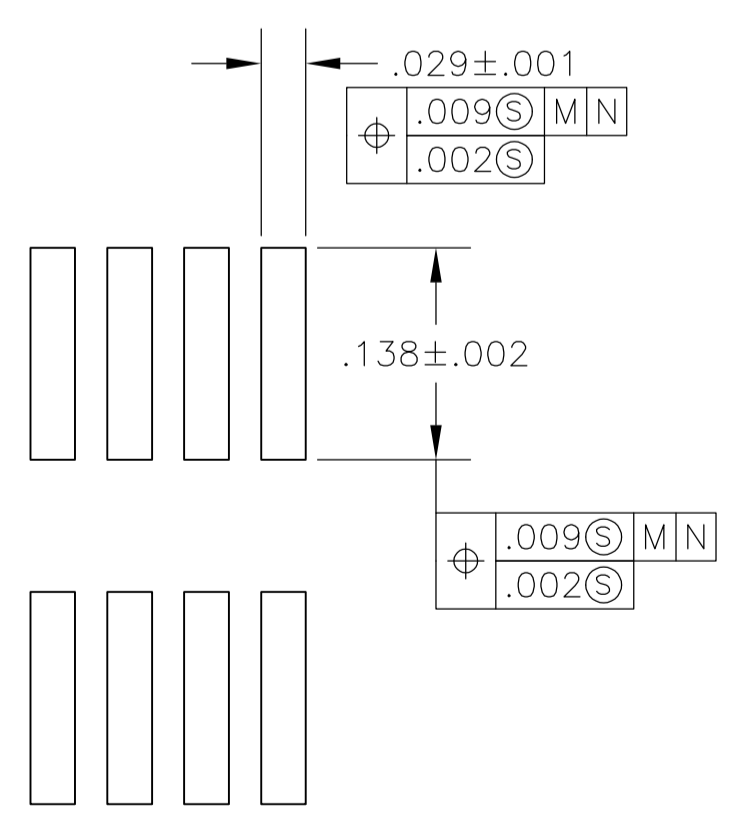
- 1 .000030 GOLD IN LOCALIZED PLATE AREA, .000150 TIN-LEAD ON SOLDER TAILS ALL OVER .000050 NICKEL.
- 2 CIRCUIT IDENTIFICATION FEATURE OMITTED ON 10 POSITION HEADER ASSEMBLIES.
- 3 DIMENSION APPLIES AT BASE OF SHROUD.
- 4 THE NOTED DIMENSIONS APPLY AT THE MATING FACE OF THE HOUSING.
- 5 (Y3) (Y4) ARE LOCATED THE SAME AS (Y1) (Y2) EXCEPT ON OPPOSITE SIDE OF HOUSING.
- 6 VACUUM COVER DESIGNED FOR .160 [4mm] DIA NOZZLE. VACUUM COVER TO BE REMOVED AFTER SOLDERING.
- 7 PACKAGED IN TAPE AND REEL PER EIA-481 SPECIFICATIONS. SEE CHART FOR TAPE WIDTHS.
- 8 .265 [6.75mm] MIN TARGET AREA FOR VACUUM PICK-UP.
- 9 HOUSING: PPA. CONTACT: PHOSPHOR BRONZE. VACUUM COVER: ALUMINUM
- 10 VACUUM COVER SHOWN IN PHANTOM LINE.
- 11 .000030 GOLD IN LOCALIZED PLATE AREA, .000150 TIN ON SOLDER TAILS, ALL OVER .000050 NICKEL.
- 12 OBSOLETE PARTS: OBSOLETE CIS STREAMLINING PER D.RENAUD / D.SINISI
- 13 NO CIRCUIT IDENTIFICATION FEATURE ON 10,12,20,24 AND 30 POSITION PARTS.



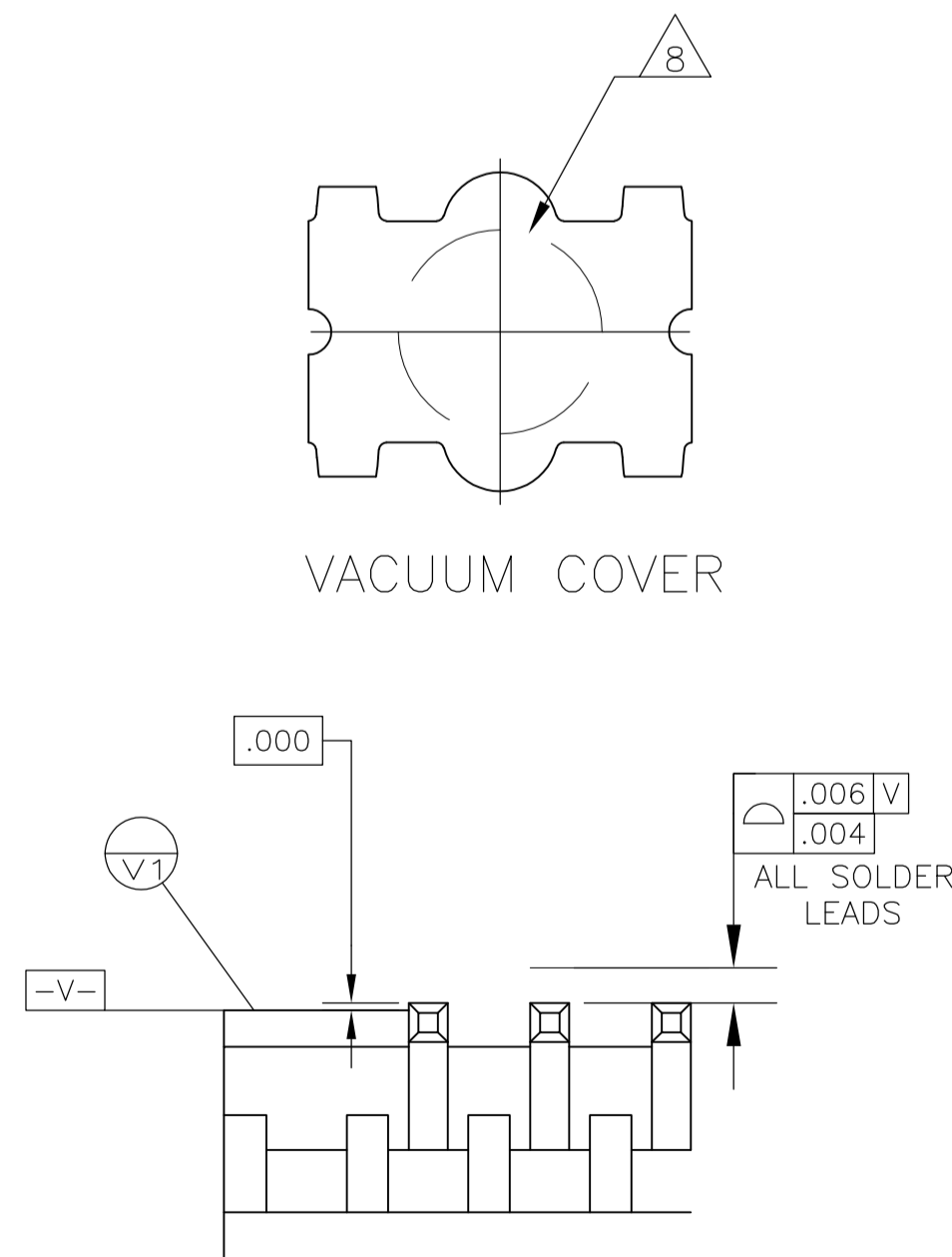
DETAIL S



RECOMMENDED BOARD LAYOUT



DETAIL G SCALE 8:1



DETAIL W

TAPE WIDTHS	C	B	A	NO OF POSN	PART NUMBER
56MM	1.050	21	1.230	44	116-147377-0
44mm	.550	11	.730	24	115-147377-9
88mm	2.450	49	2.630	100	115-147377-8
88mm	1.950	39	2.130	80	115-147377-7
72mm	1.450	29	1.630	60	115-147377-6
56mm	1.200	24	1.380	50	115-147377-5
56mm	.950	19	1.130	40	115-147377-4
56mm	.700	14	.880	30	115-147377-3
44mm	.450	9	.630	20	115-147377-2
32mm	.200	4	-	10	115-147377-1
56MM	1.050	21	1.230	44	1-147377-0
44mm	.550	11	.730	24	147377-9
88mm	2.450	49	2.630	100	147377-8
88mm	1.950	39	2.130	80	147377-7
72mm	1.450	29	1.630	60	147377-6
56mm	1.200	24	1.380	50	147377-5
56mm	.950	19	1.130	40	147377-4
56mm	.700	14	.880	30	147377-3
44mm	.450	9	.630	20	147377-2
32mm	.200	4	-	10	147377-1

THIS DRAWING IS A CONTROLLED DOCUMENT.

DIMENSIONS: INCHES	TOLERANCES UNLESS OTHERWISE SPECIFIED:	DIN B HAYMAKER 17JAN00	TE Connectivity
0 PLC ± -	1 PLC ± -	J. MOSIER 17JAN00	NAME
2 PLC ± -	3 PLC ± .005	J. MOSIER 17JAN00	HEADER ASSEMBLY, W/SIDE & END LATCHES, VERTICAL, SHROUDED, DOUBLE ROW, SURFACE MOUNT
4 PLC ± -	ANGLES ± -		PRODUCT SPEC
MATERIAL	FINISH SEE NOTES	WEIGHT	APPLICATION SPEC
			108-1093
			SIZE
			114-25035
			SCALE
			A1 00779 C=147377
			RESTRICTED TO
			CUSTOMER DRAWING
			SCALE 4:1 SHEET 1 OF 1 REV E4