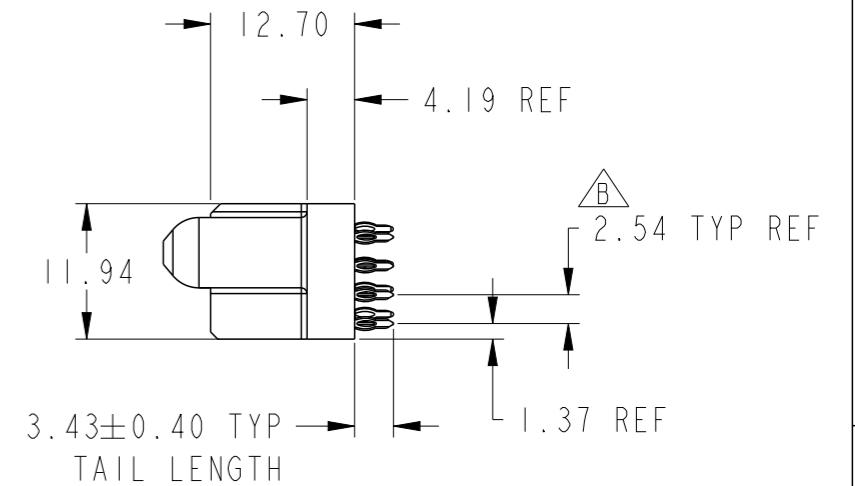
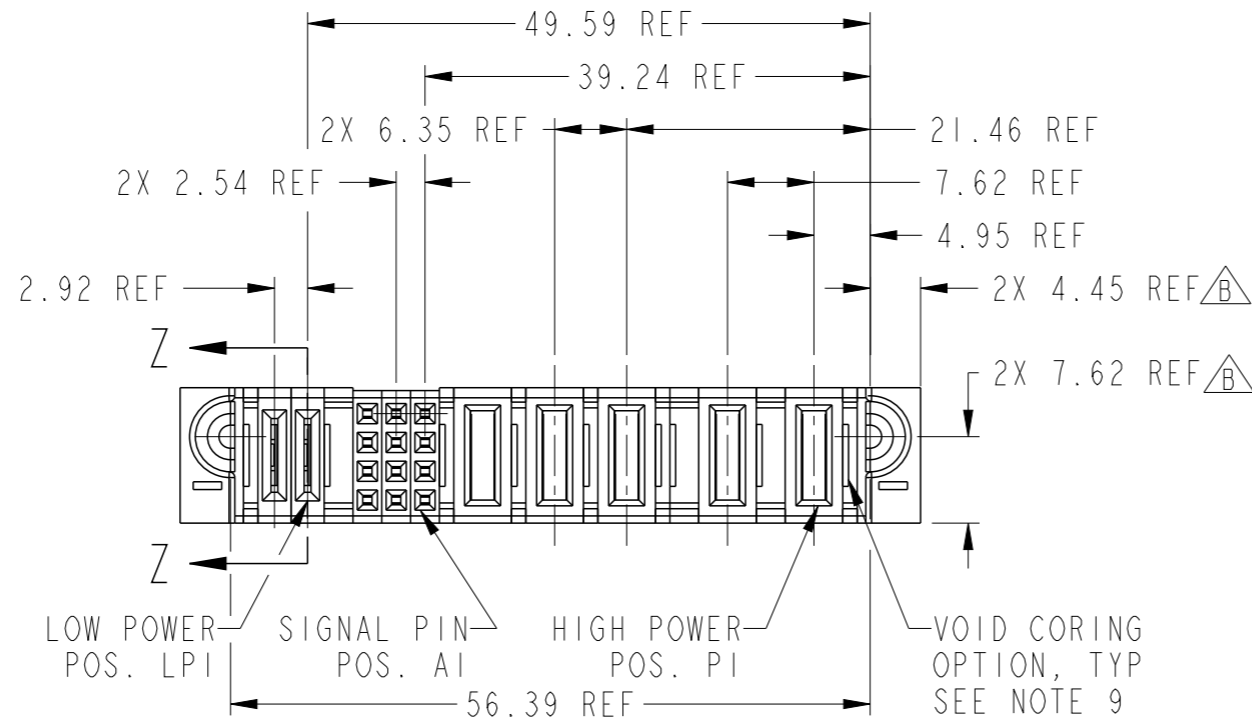
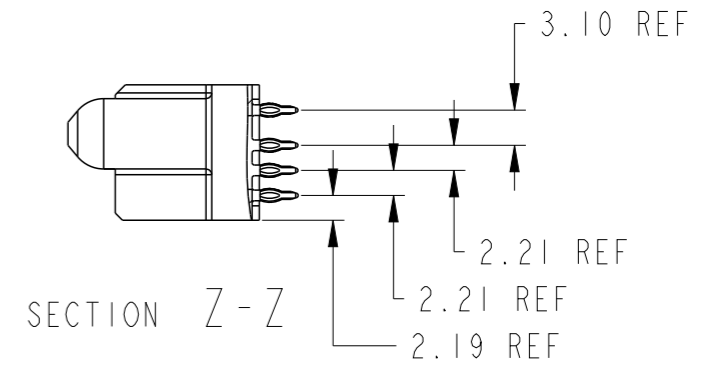
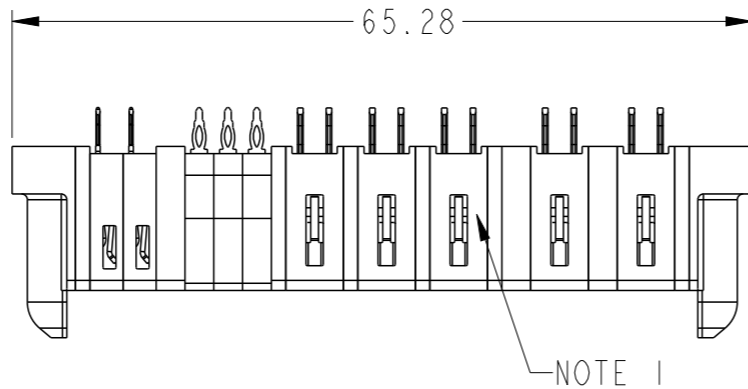
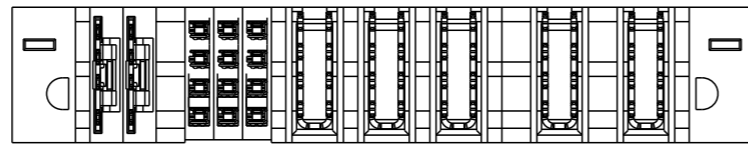


PRODUCT NUMBER SEE SHEET 2



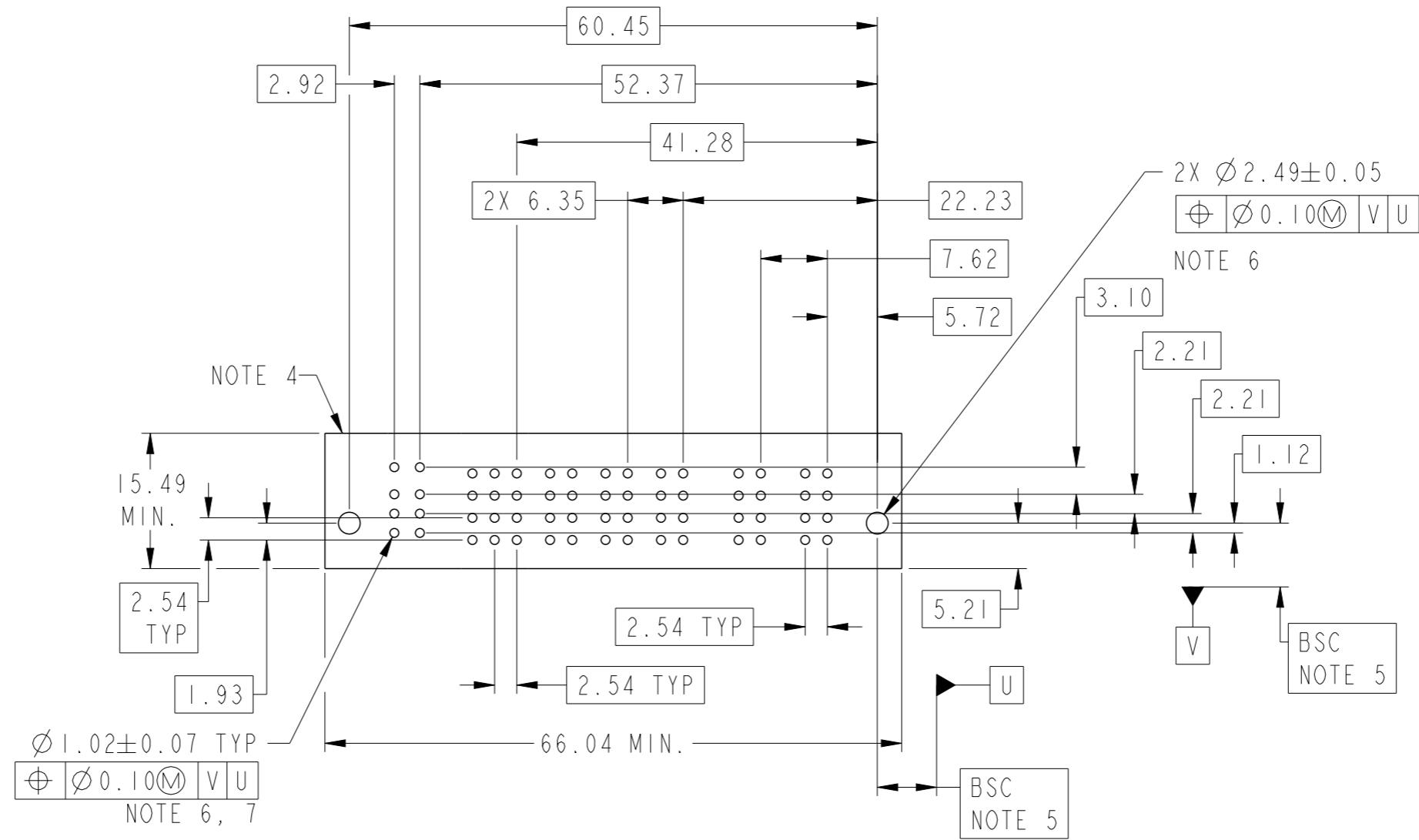
spec ref		dr	Peng-Bing Fu	2012/05/03	projection	MM	size	A3	scale	3:2
tolerance std ASME Y14.5		TOLERANCES UNLESS OTHERWISE SPECIFIED			eng	Peng-Bing Fu	2012/11/13	ecn no	ELX-DG-013146-1	
surface	linear	0.X	±0.50		www.fci.com	cat. no.	product family	PowerBlade+	rel level	Released
		0.XX	±0.25							
ASME Y14.5	angular	0°	±2°		2ACP + 3HP + 12S + 2LP VT PF RECEPTACLE		dwg no	10106269-5203001		rev
							Product - Customer Drw		sheet 1 of 3	



Copyright FCI.

PRODUCT NO.	ROWS	LP		SIG			HIGH POWER					E2
		E1	LP2	LP1	3	2	1	P5	P4	P3	P2	
10106269-5203001LF	DCBA	LTLT	FFF FFF FFF FFF			HD	HG	HG	HG	HG		

CODE	DESCRIPTION
F	STD SIGNAL CONTACT
HD	MFBL HIGH POWER CONTACT (3.43)
HG	STD HIGH POWER CONTACT (3.43)
LT	STD LOW POWER CONTACT (3.43)



dr	Peng-Bing Fu	2012/05/03	projection	MM	size	A3	scale	3:2
eng	Peng-Bing Fu	2012/11/13			ecn no	ELX-DG-013146-1		
chr	Tian-Xu Huang	2012/11/13				product family	PowerBlade+	rel level
appr	Pei-Ming Zheng	2012/11/13						
FCI					2ACP + 3HP + 12S + 2LP VT PF RECEPTACLE		dwg no 10106269-5203001	rev B
www.fci.com			cat. no.		Product - Customer Drw		sheet 2 of 3	

Copyright FCI.

1

2

3

4

A

B

C

D

A

B

C

D

NOTES:

- 1) "FCI", PART NUMBER AND DATE CODE TO BE MARKED ON THIS SURFACE.
THE P/N CAN BE OMITTED IF THERE IS NOT ENOUGH SPACE ON THIS SURFACE.
- 2) MATERIALS:
-HOUSING - GLASS FILLED WITH HIGH TEMP THERMOPLASTIC, UL94V-0.
-SIGNAL CONTACT - COPPER ALLOY.
-POWER CONTACT - HIGH CONDUCTIVITY COPPER ALLOY.
- 3) PLATING SPECIFICATION REFER TO FCI 10116351
- 4) DENOTES CONNECTOR KEEP OUT ZONE.
- 5) DATUM AND BASIC DIMENSIONS WERE ESTABLISHED BY CUSTOMER.
- 6) ALL HOLE DIAMETERS ARE FINISHED HOLE SIZES.
- 7) 1.15 ± 0.025 MM DRILLED HOLE PLATED WITH 0.00762MM MIN Sn
OVER 0.0254-0.0762MM Cu PLATING TO ACHIEVE A 1.02 ± 0.07 MM HOLE.
- 8) PRODUCT SPECIFICATION REFER TO FCI GS-12-658.
APPLICATION SPECIFICATION REFER TO FCI GS-20-141.
PRODUCT PACKAGED IN TRAYS, REFER TO FCI GS-14-1502.
- 9) THE VOID CORING IN BETWEEN POWER MODULES, SIGNAL
MODULES AND END MODULES ARE OPTIONAL AND THE SHAPE
MAY BE DIFFERENT FOR OPTIMIZE THE MOLDING PROCESS. THE
VOID CORING WILL NOT EFFECT TO PRODUCT FUNCTION.
- 10) A $\triangle B$ SYMBOL WILL BE NEXT TO ANY DIMENSION, VIEW, OR NOTE
WHICH HAS BEEN MODIFIED WITH THE CURRENT DRAWING REVISION.



Copyright FCI.

dr	Peng-Bing Fu	2012/05/03	projection 	MM 	size	A3	scale	1:1	
eng	Peng-Bing Fu	2012/11/13			ecn no	ELX-DG-013146-1			
chr	Tian-Xu Huang	2012/11/13			product family	PowerBlade+	rel level	Released	
appr	Pei-Ming Zheng	2012/11/13							
		title 2ACP + 3HP + 12S + 2LP VT PF RECEPTACLE			dwg no 10106269-5203001	rev B			
www.fci.com		cat. no.	Product - Customer Drw			sheet 3 of 3			

1

2

3

PDS: Rev :B

STATUS:Released

Printed: Nov 14, 2012