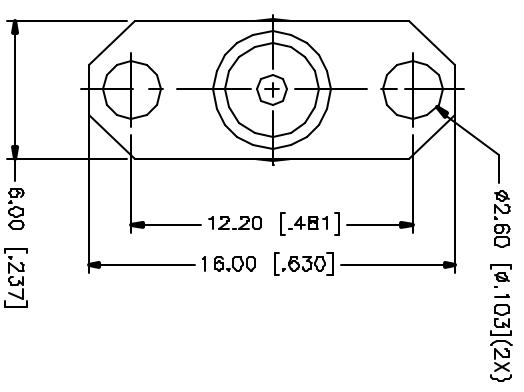
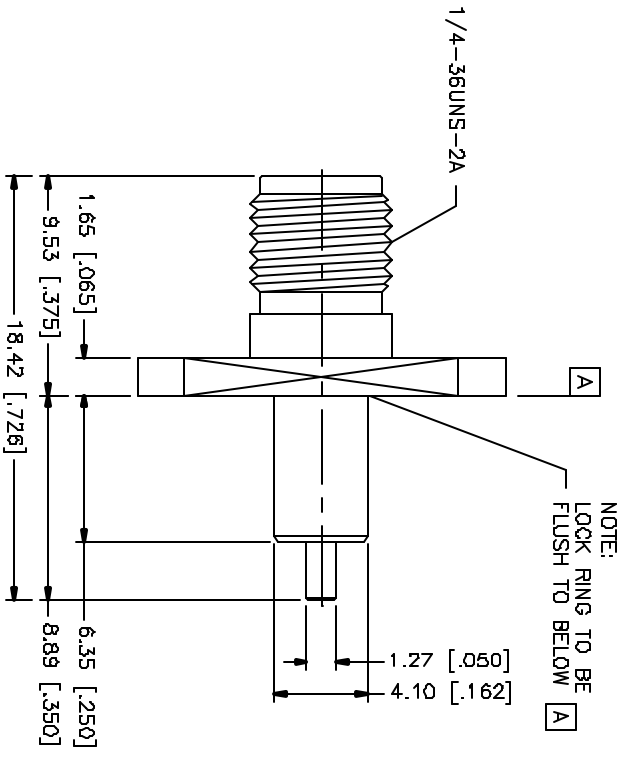


REV.	DATE	DESCRIPTION
A	02/18/03	UPDATE DRAWING FORMAT
B	02/20/05	UPDATE PART DESCRIPTION



REV.	DESCRIPTION	MATERIAL	FINISH	QTY
8				
7				
6				
5				
4	RING	BRASS	GOLD	1
3	CONTACT PIN	BER. COPPER	GOLD	1
2	INSULATOR	TEFLON	NATURAL	1
1	BODY	BRASS	GOLD	1
	DESCRIPTION	MATERIAL	FINISH	QTY

UNLESS OTHERWISE SPECIFIED DIMENSIONS ARE IN MILLIMETERS DIMENSIONS IN INCHES ARE NEAREST AND FOR DESIGNER REFERENCE ONLY.	APPROVALS	DATE
UNLESS OTHERWISE SPECIFIED TOLERANCES FOR MILLIMETERS ARE: 0.5 - 30mm ± 0.20mm 30 - 120mm ± 0.40mm 120 - 150mm ± 0.50mm	DRAWN G. R. S.	02/20/05
UNLESS OTHERWISE SPECIFIED TOLERANCES FOR INCHES ARE: .020 - .315 = ± 0.007" .315 - 1.180 = ± 0.015" 1.180 - 4.724 = ± 0.020"	CHECKED	
DO NOT SCALE DRAWING	ISSUED	
	SHEET 1 OF 1	

CAD FILE C:/132/132147-29.DWG	DWG. NO. 132147-29.DWG	REV. B	SIZE A	SCALE NA
-------------------------------	------------------------	--------	--------	----------

PART DESCRIPTION	
SMA PANEL RECEPTACLE - 2 HOLE	
EXT. TEFLON .250 [.635]	- .350 [.889]
PART NIB. 132147-29	

Amphenol Connex