

78453-\*\*0\*

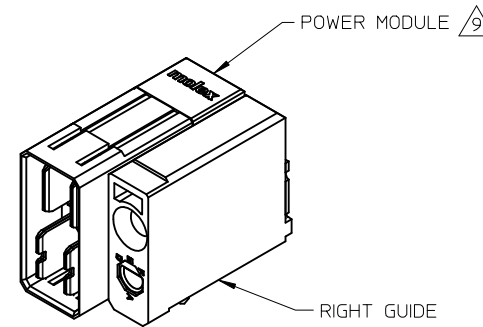
PLATING OPTION	GUIDE LOCATION & ESD OPTION	*
TIN	RIGHT GUIDE WITH ESD	2
	RIGHT GUIDE WITHOUT ESD	4

*	POLARIZATION KEY ORIENTATION
0	NO KEY
1	A
2	B
3	C
4	D
5	E
6	F
7	G
8	H

*	POWER MODULE 1	
	BLADE LENGTH	
	P1	P2
1	6.90	6.90
2	5.70	5.70
5	6.90	5.70
7	5.70	6.90

NOTES:

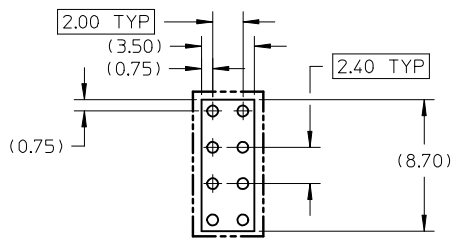
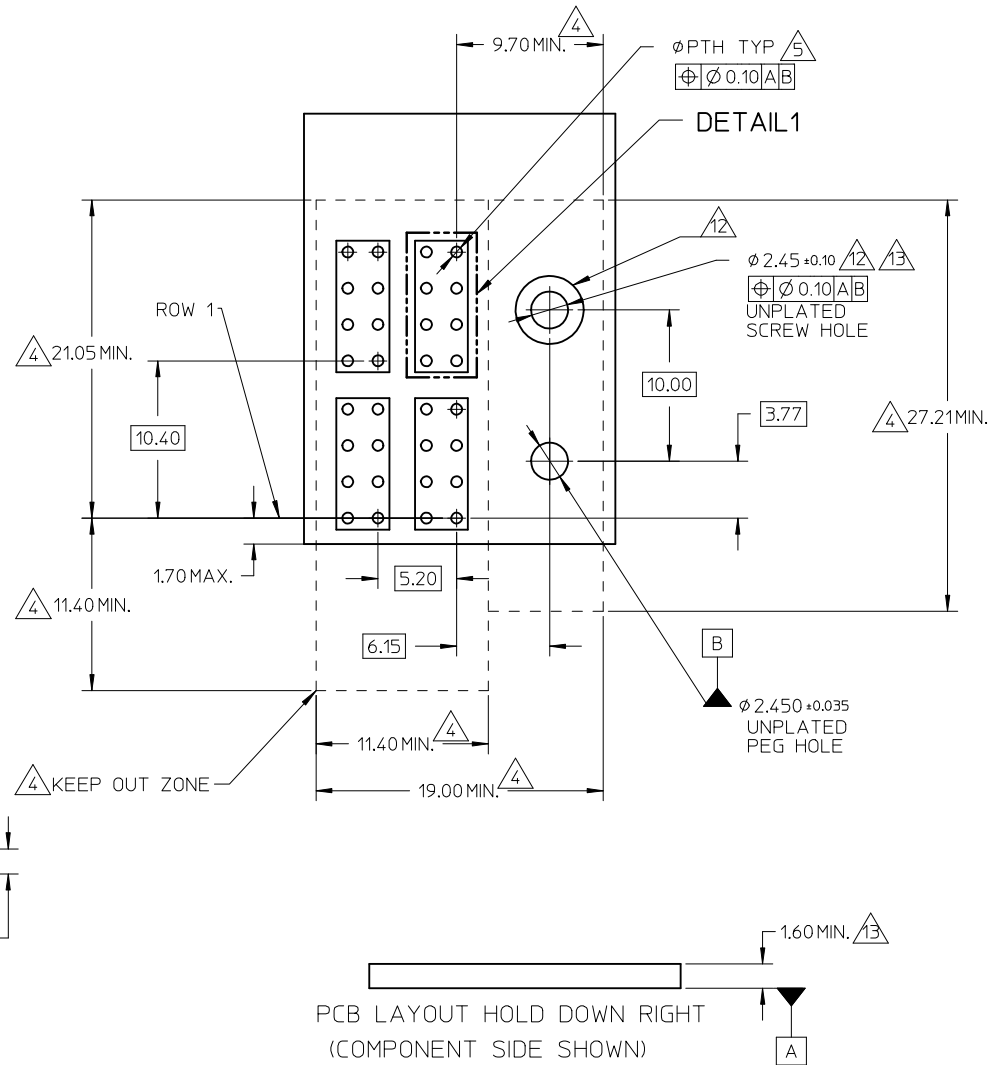
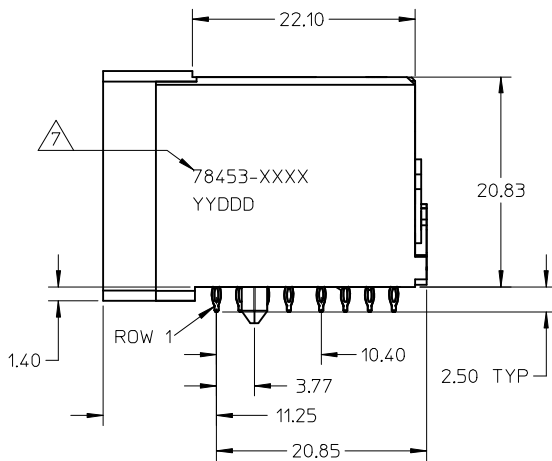
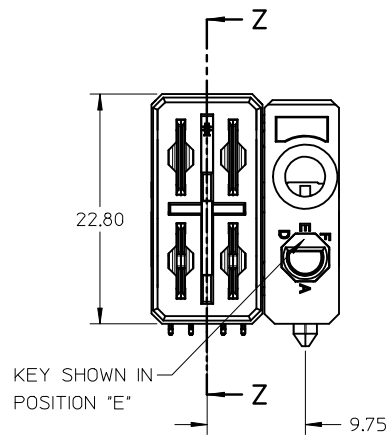
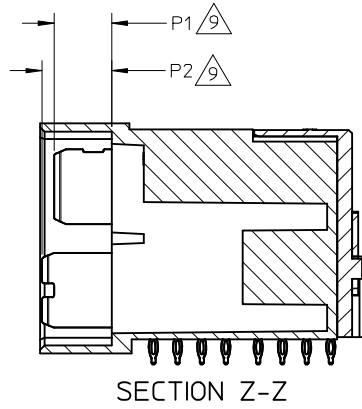
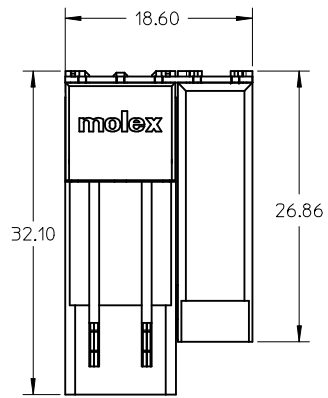
1. MATERIALS:  
HOUSING - HIGH TEMP. THERMOPLASTIC, GLASS FILLED, UL94-V0,COLOR:BLACK.  
POWER PIN - COPPER ALLOY.
2. FINISH:  
POWER CONTACTS  
0.76µm MINIMUM GOLD AT CONTACT AREA AND  
2.54µm MINIMUM TIN AT SOLDER TAIL AREA  
OVER 1.27µm MINIMUM NICKEL UNDERPLATE.
3. PRODUCT SPECIFICATION: PS-78213-001.
4. COMPONENT STAY AWAY ZONE FROM CONNECTOR.
5. REFER TO MOLEX PRODUCT SPECIFICATION PS-78213-001 FOR PLATED THROUGH-HOLE SPECIFICATIONS.
6. MATES WITH 78216-\*\*\*\*.
7. PART NUMBER AND YEAR-DAY CODE. CAN BE AT THE OPPOSITE SIDE.
8. CONNECTORS ARE PACKED IN A TRAY.
9. REFER TO SD-78215-002 FOR DETAILS OF THE POWER MODULE .
10. ALL PARTS ARE SHIPPED WITH A 2-32 TYPE AB SELF-TAPPING SCREW PART NUMBER 73726-0000.
11. PACKAGING SPECIFICATION:  
PK-78453-001 (1X MODULE WITH GUIDE MODULE)
12. FOR THE ESD GROUNDED GUIDE VERSION, USE DIA 2.45±0.10 (PTH), DIA 2.58 (DRILL), AND DIA 4.50 (PAD).
13. WHEN USING MOLEX SUPPLIED SCREW 73726-0000, THE MAXIMUM BOARD THICKNESS IS 4.4mm.



HEADER WITH RIGHT GUIDE (FIG. 1)

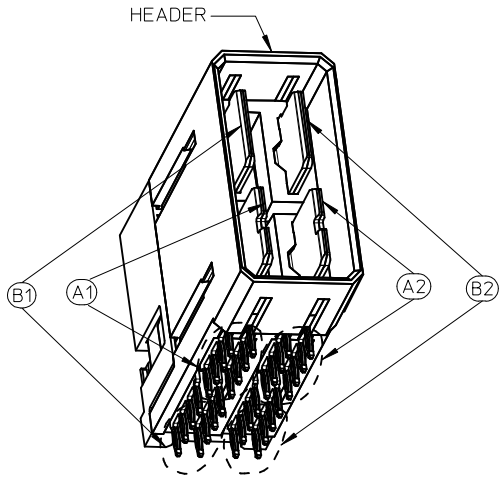
ADDED SHT 3 EC NO: S2014-0872 DRWN: SHONG 2015/01/12 CHKD: HCGOH 2015/04/07 APPR: SHLENI 2015/04/07	QUALITY SYMBOLS	GENERAL TOLERANCES (UNLESS SPECIFIED)		DIMENSION STYLE MM ONLY		SCALE NTS	DESIGN UNITS METRIC	THIRD ANGLE PROJECTION	
	▽ <sub>A</sub> =0	4 PLACES	mm	INCH	DRAWN BY CTCHO	DATE 2012/03/02	TITLE IMPACT POWER 5P HDR W/GUIDE MODULE R P/F ASSEMBLY SALES DRAWING		
	▽ <sub>G</sub> =0	3 PLACES	± ---	± ---	CHECKED BY LNG	DATE 2012/03/21			
	▽ <sub>P</sub> =0	2 PLACES	± 0.25	± ---	APPROVED BY SHONG	DATE 2012/03/22	MOLEX INCORPORATED		
	1 PLACE	± ---	± ---	MATERIAL NO. SEE TABLE		DOCUMENT NO. SD-78453-001			
	ANGULAR ± 3 °		DRAFT WHERE APPLICABLE MUST REMAIN WITHIN DIMENSIONS		THIS DRAWING CONTAINS INFORMATION THAT IS PROPRIETARY TO MOLEX INCORPORATED AND SHOULD NOT BE USED WITHOUT WRITTEN PERMISSION				

# POWER MODULE WITH RIGHT GUIDE MODULE

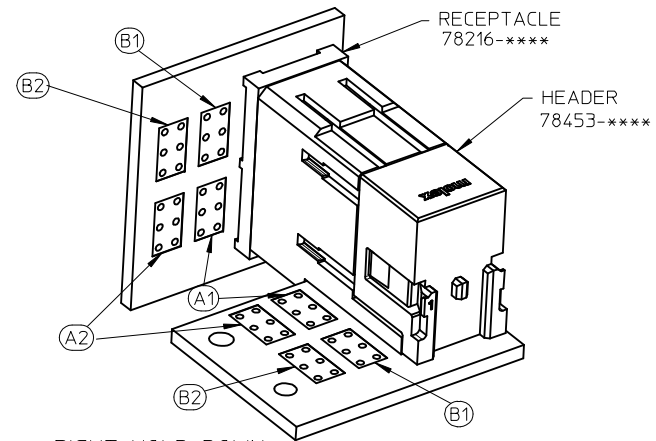


COPPER PAD REFERENCE  
DETAIL1

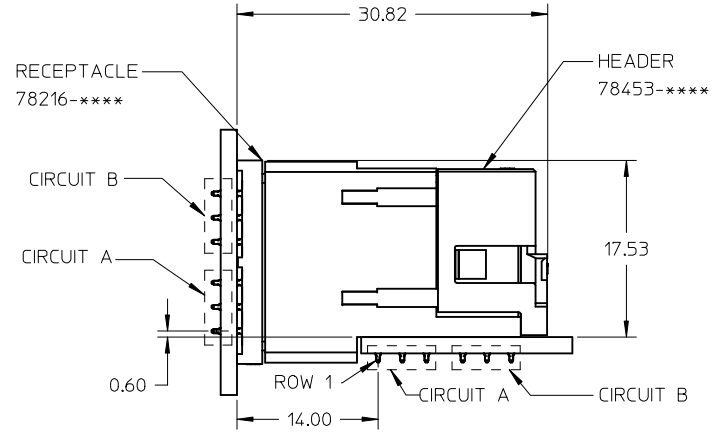
ADDED SHT 3 EC NO: S2014-0872 DRWN: SHONG 2015/01/12 CHYK: HICGQH 2015/04/07 APPR: SILENI 2015/04/07	QUALITY SYMBOLS $F_A=0$ $F_C=0$ $F_P=0$	GENERAL TOLERANCES (UNLESS SPECIFIED) mm INCH 4 PLACES $\pm$ --- $\pm$ --- 3 PLACES $\pm$ --- $\pm$ --- 2 PLACES $\pm 0.25$ $\pm$ --- 1 PLACE $\pm$ --- $\pm$ --- ANGULAR $\pm 3^\circ$	DIMENSION STYLE MM ONLY DRAWN BY DATE CTCHO 2012/03/02 CHECKED BY DATE LNG 2012/03/21 APPROVED BY DATE SHONG 2012/03/22	SCALE NTS DESIGN UNITS METRIC THIRD ANGLE PROJECTION	TITLE IMPACT POWER 5P HDR W/GUIDE MODULE R P/F ASSEMBLY SALES DRAWING MOLEX INCORPORATED
	DRAFT WHERE APPLICABLE MUST REMAIN WITHIN DIMENSIONS	MATERIAL NO. SEE TABLE	DOCUMENT NO. SD-78453-001	SHEET NO. 2 OF 3	
	SIZE A3	THIS DRAWING CONTAINS INFORMATION THAT IS PROPRIETARY TO MOLEX INCORPORATED AND SHOULD NOT BE USED WITHOUT WRITTEN PERMISSION			



PIN NUMBER ASSIGNMENT BASED ON HEADER SIDE:  
 A1, B1 ON THE LEFT,  
 A2, B2 ON THE RIGHT.



RIGHT HOLD DOWN:  
 1 POWER MODULE AND HOLD DOWN REMOVED TO  
 ILLUSTRATE CIRCUIT PATH OF MATED SYSTEM



MATED SYSTEM FOR 78349 & 78214

ADDED SHT 3 EC NO: S2014-0872 DRWN: SHONG CHKD: HICGOH APPR: SHILENI 2015/01/12 2015/04/07 2015/04/07	QUALITY SYMBOLS $F_A=0$ $F_G=0$ $F_P=0$	GENERAL TOLERANCES (UNLESS SPECIFIED) mm    INCH 4 PLACES ± --- ± --- 3 PLACES ± --- ± --- 2 PLACES ± 0.25 ± --- 1 PLACE ± --- ± --- 0 PLACE ±    ±	DIMENSION STYLE MM ONLY DRAWN BY: CTCHO    DATE: 2012/03/02 CHECKED BY: LNG    DATE: 2012/03/21 APPROVED BY: SHONG    DATE: 2012/03/22	SCALE: NTS DESIGN UNITS: METRIC THIRD ANGLE PROJECTION	TITLE: IMPACT POWER 5P HDR W/GUIDE MODULE R P/F ASSEMBLY SALES DRAWING molex MATERIAL NO. SD-78453-001 DOCUMENT NO. SD-78453-001 SHEET NO. 3 OF 3
	DRAFT WHERE APPLICABLE MUST REMAIN WITHIN DIMENSIONS	ANGULAR ± 3 °	SEE TABLE	THIS DRAWING CONTAINS INFORMATION THAT IS PROPRIETARY TO MOLEX INCORPORATED AND SHOULD NOT BE USED WITHOUT WRITTEN PERMISSION	
	REV: A2	DESCRIPTION:	SIZE: A3	SIZE: A3	
	REV:	DESCRIPTION:	SIZE:	SIZE:	