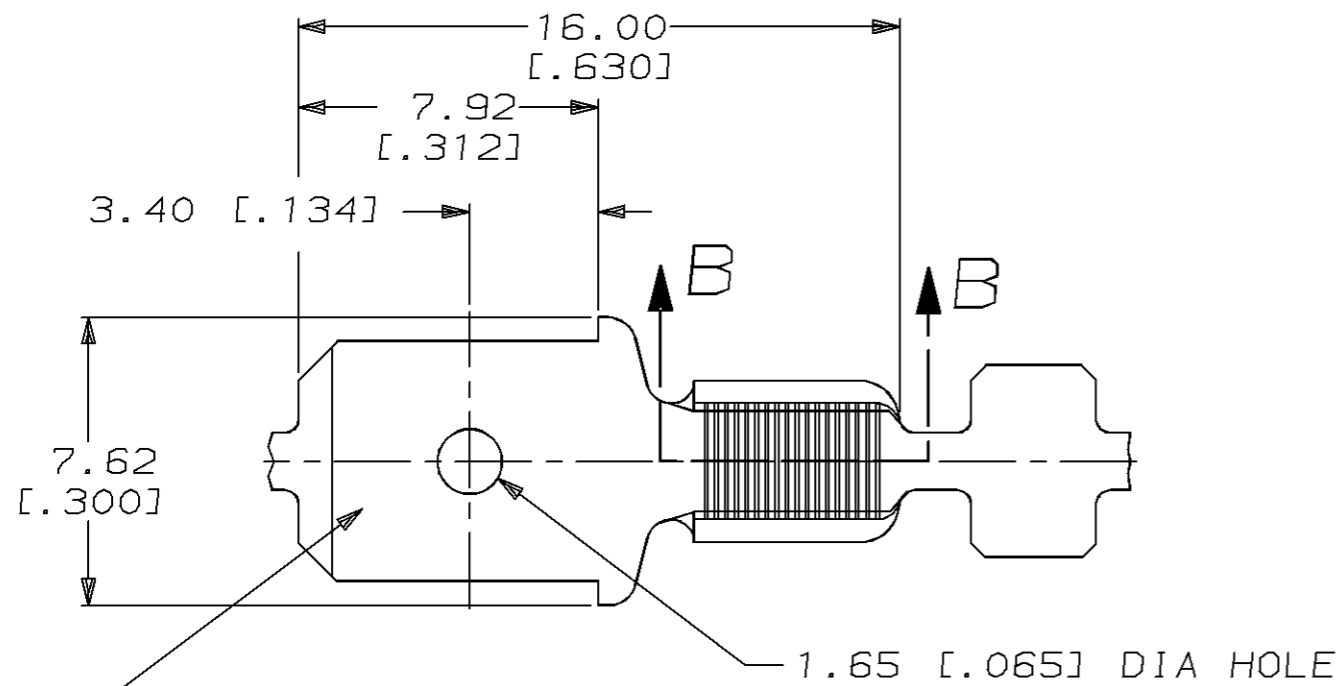
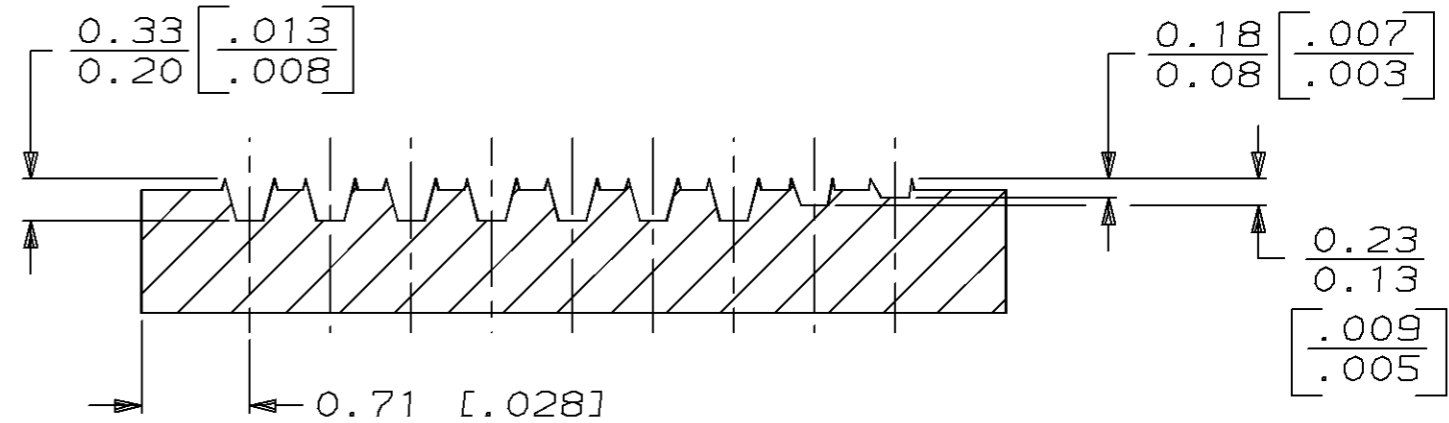
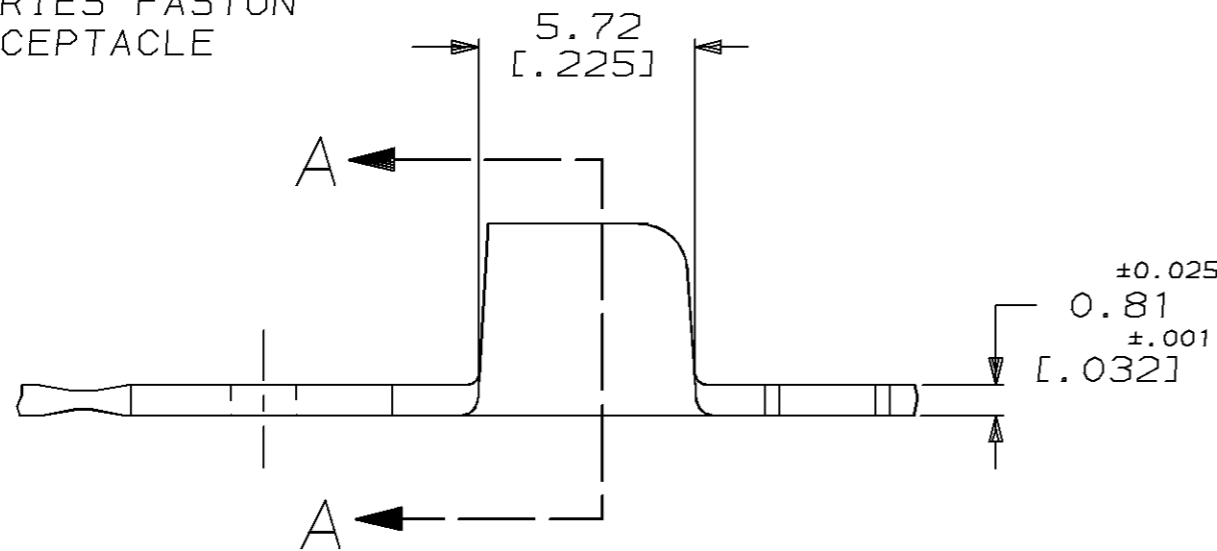


THIS DRAWING IS UNPUBLISHED. RELEASED FOR PUBLICATION, 19
 © COPYRIGHT 19 BY AMP INCORPORATED. ALL INTERNATIONAL RIGHTS RESERVED.

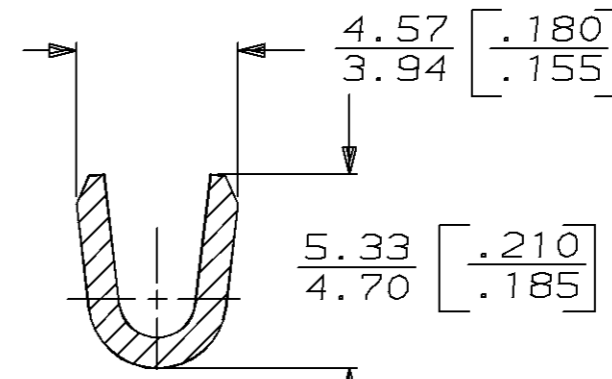
LOC	DIST	P	F	ZONE	LTR	REVISIONS	DATE	APPD
AF	50				D	REV PER 0409-94	8/29/94	JR



FITS 6.35 [.250] SERIES FASTON RECEPTACLE



SECTION B-B
SCALE 20:1



SECTION A-A

1 CONTINUOUS STRIP ON REEL

DO NOT SCALE PRINT. UNLESS SPECIFIED DIMENSIONS IN mm [INCHES] TOLERANCES ON:		DR 3/19/92 JR RUTH	[#16-#12]	62922-1
2 PLC DEC ± 0.38 [.015]		CHK 3/19/92 MS FEHER	WIRE SIZE	PART NO
3 PLC DEC ± -		APPD 3/19/92 C MEYERS	AMP AMP Incorporated Harrisburg, PA 17105-3608	
ANGLES ± -		APPD 3/19/92 D REINER	NAME	
MATERIAL	082 BRASS	PRODUCT SPEC -	TAB, FASTON, AMPLIVAR, 6.35 [.250] SERIES	
FINISH	TIN 0.002032 [.000080] MIN W/ VARNISH RESIST	APPLICATION SPEC -	SIZE B	CAGE CODE 00779
		WEIGHT -	DRAWING NO	62922
			SCALE 5:1	SHEET 1 OF 1