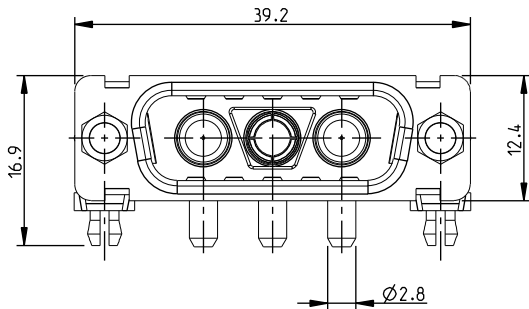
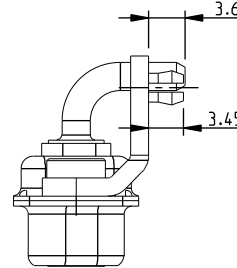
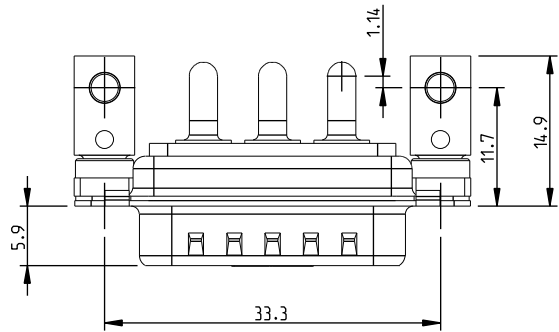
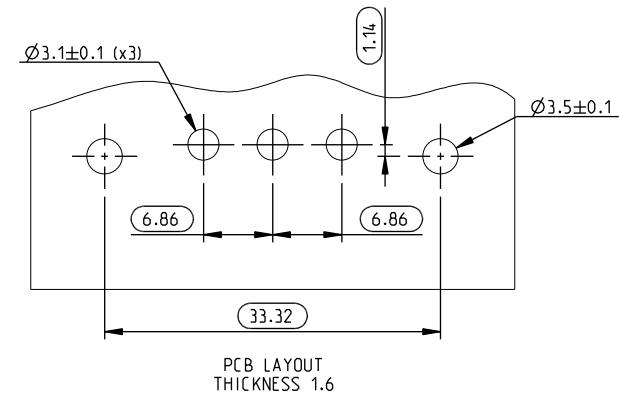


PART-NUMBER
DAL3V3P500G4CLF



NOTES :

- 1- REFERENCE SPECIFICATION :
- NFC 93425 (compliant with HE-507).
- 2- PHYSICAL CHARACTERISTICS
- INSULATOR MATERIAL : thermoplastic UL94 V-0
- CONTACT MATERIAL : BRASS,
- ACCESSORIES : BRASS
- SHELLS : STEEL
- 2- ELECTRICAL CHARACTERISTICS
- NOMINAL CURRENT : 30 A
- CONTACT RESISTANCE : 7.3 mΩ
- CONTACT-CONTACT : 1000 V
- CONTACT GROUND : 1200 V
- INSULATION RESISTANCE : 5000 MΩ
- 2- ENVIRONMENTAL CHARACTERISTICS
- CLIMATIC CATEGORY : 55/125/21.
- TEMPERATURE RANGE : -55°C TO +125°C.
- DAMP HEAT STEADY STATE 21 DAYS.
- SALT SPRAY 24 HOURS.
- 3- MECHANICAL CHARACTERISTICS
- RETENTION AGAINST TORQUE FOR THREAD INSERT : 0.7 N.m MAX
- 4- PACKAGING : IN VACUUM-FORMED TRAY, 33 PCS PER TRAY.



RoHS INFORMATION

- The LF products meet european union directive and other country regulations as described in GS-22-008.
- The housing will withstand exposure to 260° temperature for 3.5 seconds in a wave solder application with a 1.6 minimum thick circuit board. See application notes/procedures if available.
- Termination plating specifications :
Ni 1.7µm MIN + Sn 2.5 to 7.5µm (pure bright)
- Active area plating specifications :
Ni + Au
- Shells plating specifications :
2 to 4µm Cu + 3 to 10 Sn (pure bright)
- Accessories plating specifications :
Sn (pure bright)
- Packaging spec regarding RoHS : GS-14-920

rev	ecn no	dr	date
A	F10-0023	LSA	10-03-29
-	---	-	-
-	-	-	-
-	-	-	-
-	-	-	-
-	-	-	-

www.fciconnect.com		surface ISO 1302	tolerance std ISO 406 ISO 1101	projection mm
		TOLERANCES UNLESS OTHERWISE SPECIFIED		
Dr	L. SAILLARD	09-06-19	ANGULAR	size A3
Eng	L. SAILLARD	09-06-19	LINEAR	Scale 2:1
Chr	L. MULIN	09-06-19	0° ±°	ECN F10-0023
Appr	/	/	Product family	Spec ref /
FCI		title SPECIFIC CONTACT OFFSET		Dwg no C01-8639-2352
		D-SUB POWER RIGHT ANGLE		Rev. A
catalog no		CUSTOMER		sheet 1 of 1