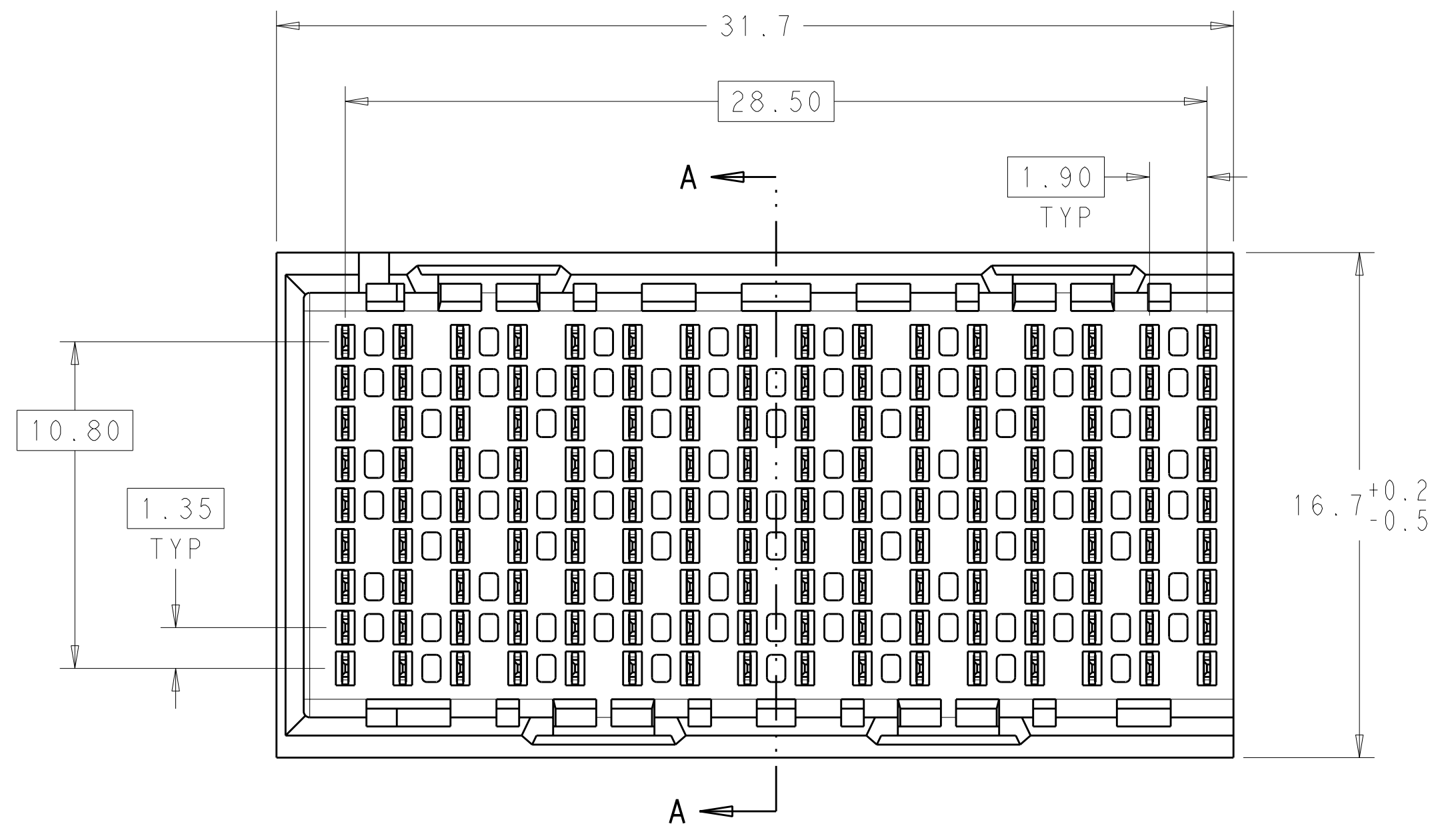
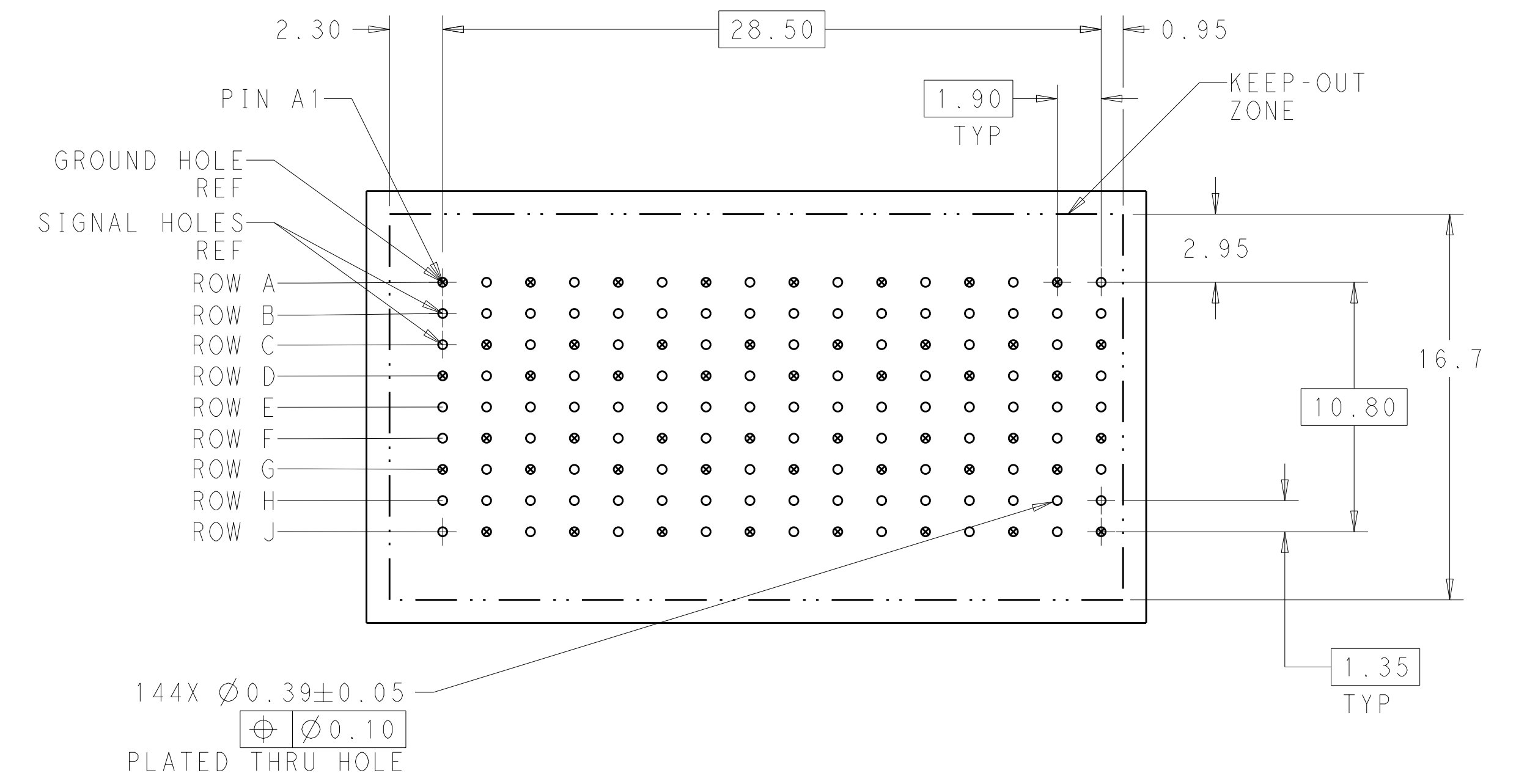
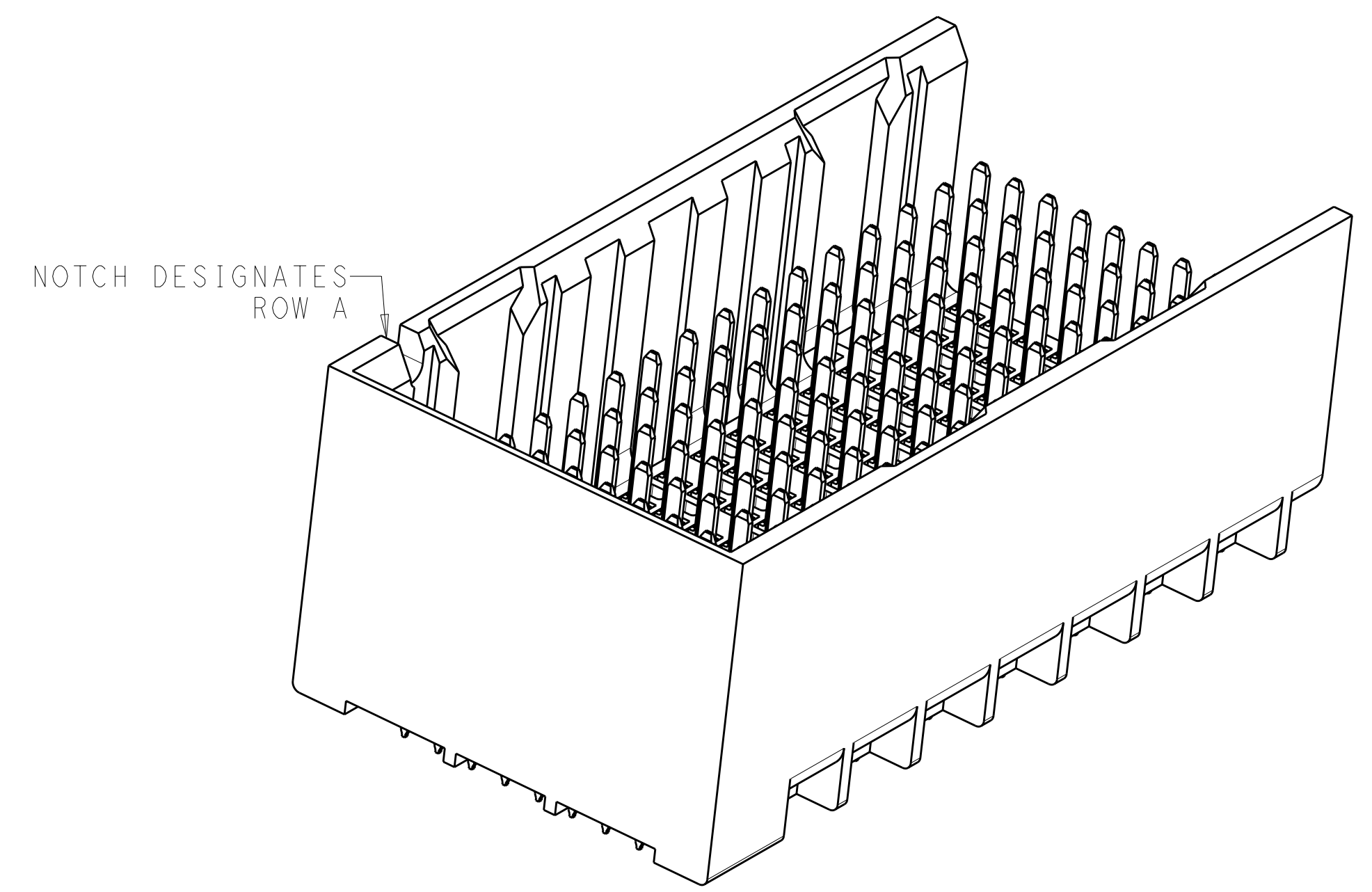


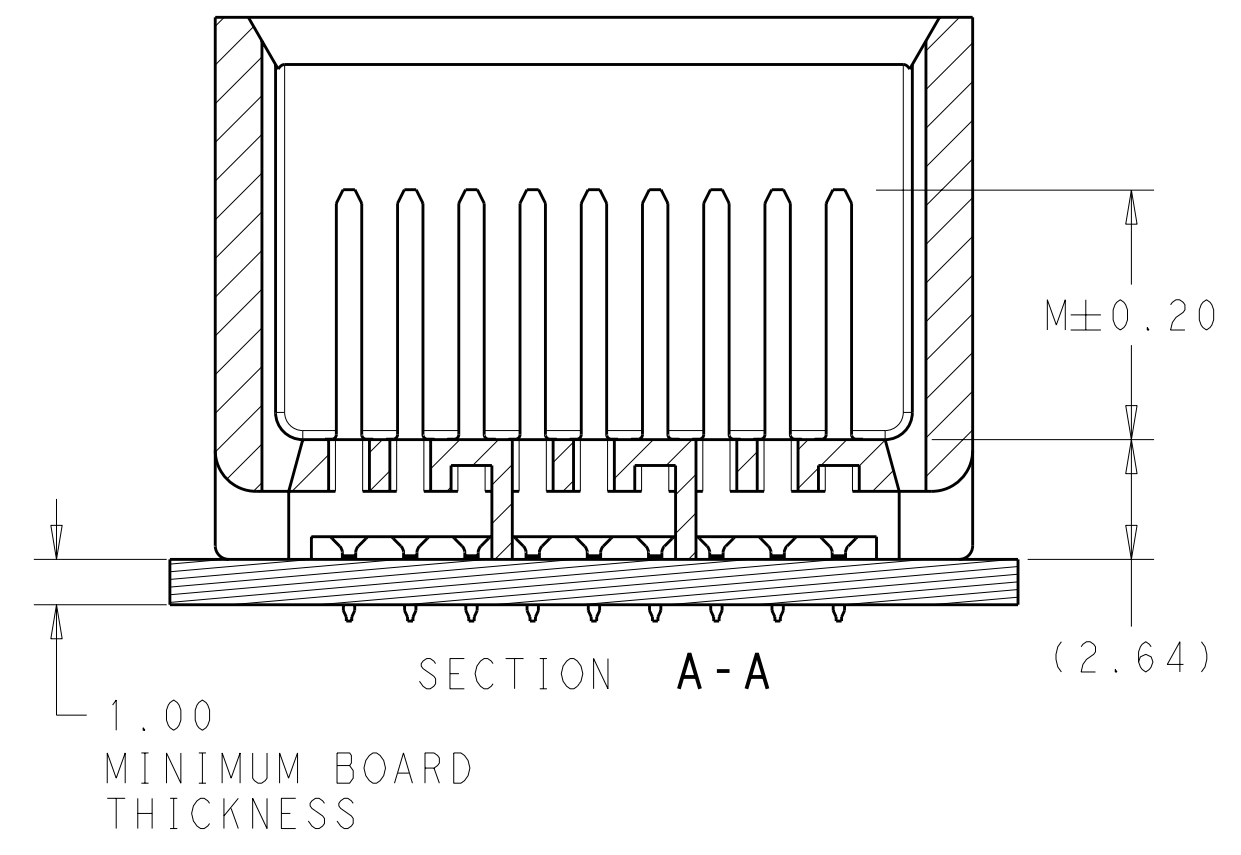
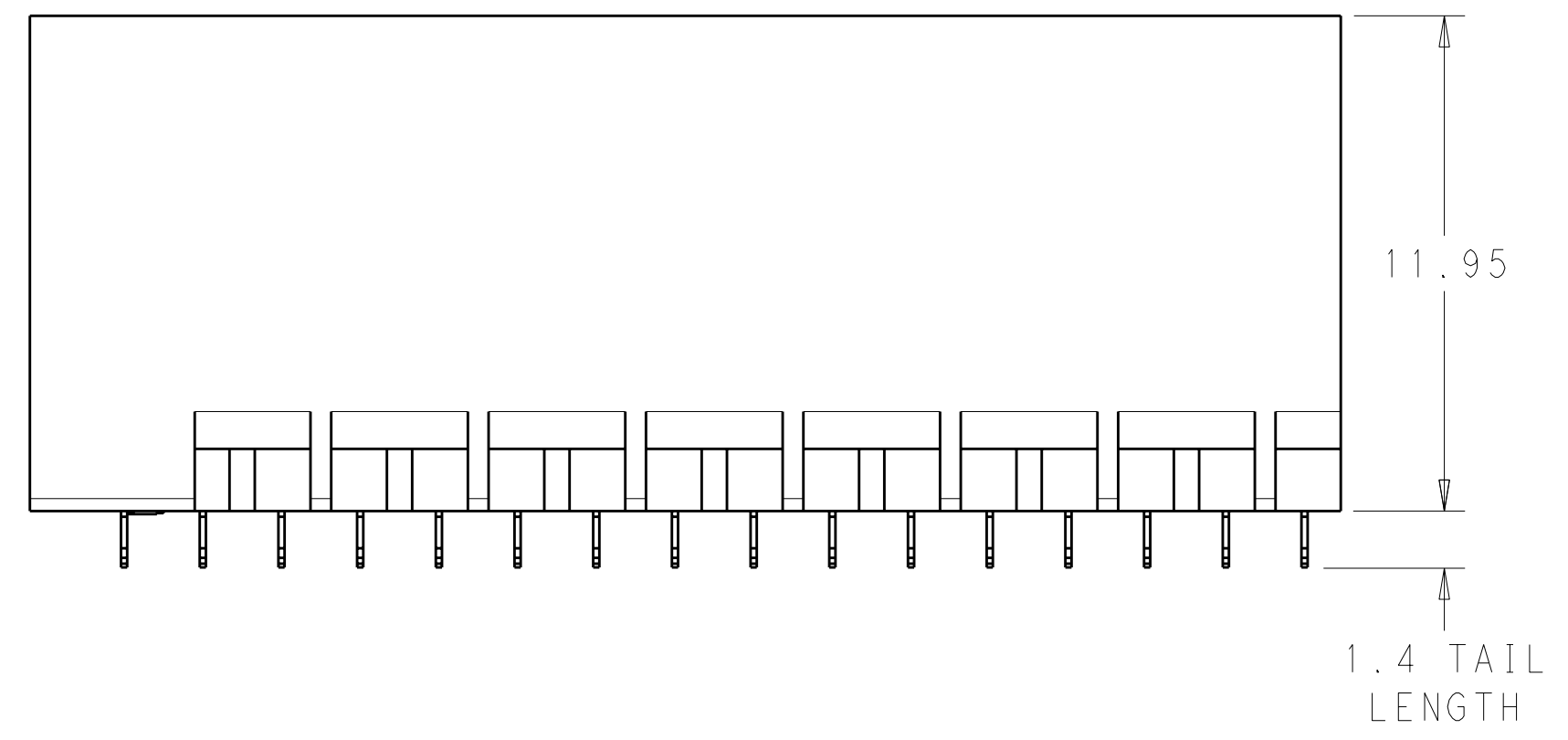
LOC		DIST		REVISIONS			
AD	00	P	LTB	DESCRIPTION	DATE	DWN	APVD
		C		REVISED PER ECO-11-025276	24DEC11	KH	DY



- 1 MATERIAL:  
HOUSING: LCP, GLASS FILLED, UL94V-0.  
TERMINALS: HIGH PERFORMANCE COPPER ALLOY.
- 2 FINISH:  
30µ" MIN GOLD IN CONTACT AREA. SELECTIVE TIN  
ON PCB TAILS, NICKEL OVERALL.
- 3 FINISH:  
30µ" MIN GOLD IN CONTACT AREA. SELECTIVE TIN-LEAD  
ON PCB TAILS, NICKEL OVERALL.



UNGUIDED  
BACKPLANE HOLE PATTERN  
(CONNECTOR SIDE)




THIS DRAWING IS A CONTROLLED DOCUMENT.		DWN J. K. SHOBER 2TDECT1	TE Connectivity
DIMENSIONS: mm		CHK J. EARY 2TDECT1	
0 PLC ± 1 PLC ±0.25 2 PLC ±0.13 3 PLC ± 4 PLC ± ANGLES ± FINISH SEE TABLE		APVD J. EARY 2TDECT1	NAME IMPACT, 3 PAIR, 16 COLUMN, HEADER UNGUIDED, LEFT END WALL SIGNAL MODULE, 0.39 PTH
MATERIAL		PRODUCT SPEC	SIZE CAGE CODE DRAWING NO RESTRICTED TO
		APPLICATION SPEC	A100779C=2007805
		WEIGHT	CUSTOMER DRAWING
		SCALE 6:1	SHEET 1 OF 2 REV C

THIS DRAWING IS UNPUBLISHED. RELEASED FOR PUBLICATION 20  
 © COPYRIGHT 20 . . . ALL RIGHTS RESERVED.

LOC	DIST	REVISIONS				
AD	00	P	LTG	DATE	DWN	APVD
		-	-	SEE SHEET 1	-	-

$\triangle_3$	5.5	2007805-6
$\triangle_3$	4.9	2007805-5
$\triangle_3$	4.5	2007805-4
$\triangle_2$	5.5	2007805-3
$\triangle_2$	4.9	2007805-2
$\triangle_2$	4.5	2007805-1
FINISH	DIM M	PART NUMBER

REFER TO WWW.TE.COM  
 FOR PRODUCT AVAILABILITY

THIS DRAWING IS A CONTROLLED DOCUMENT.		DWN J. K. SHOBER	2TDECT1	 TE Connectivity
DIMENSIONS: mm		CHK J. EARY	2TDECT1	
TOLERANCES UNLESS OTHERWISE SPECIFIED: 9 PLC ± 7 PLC ±0.25 5 PLC ±0.13 4 PLC ± ANGLES ±		APVD J. EARY	2TDECT1	NAME IMPACT, 3 PAIR, 16 COLUMN, HEADER UNGUIDED, LEFT END WALL SIGNAL MODULE, 0.39 PTH
MATERIAL -		FINISH SEE TABLE	WEIGHT -	RESTRICTED TO -
CUSTOMER DRAWING		SCALE 5:1 SHEET 2 OF 2 REV C		SIZE CAGE CODE DRAWING NO A100779C=2007805