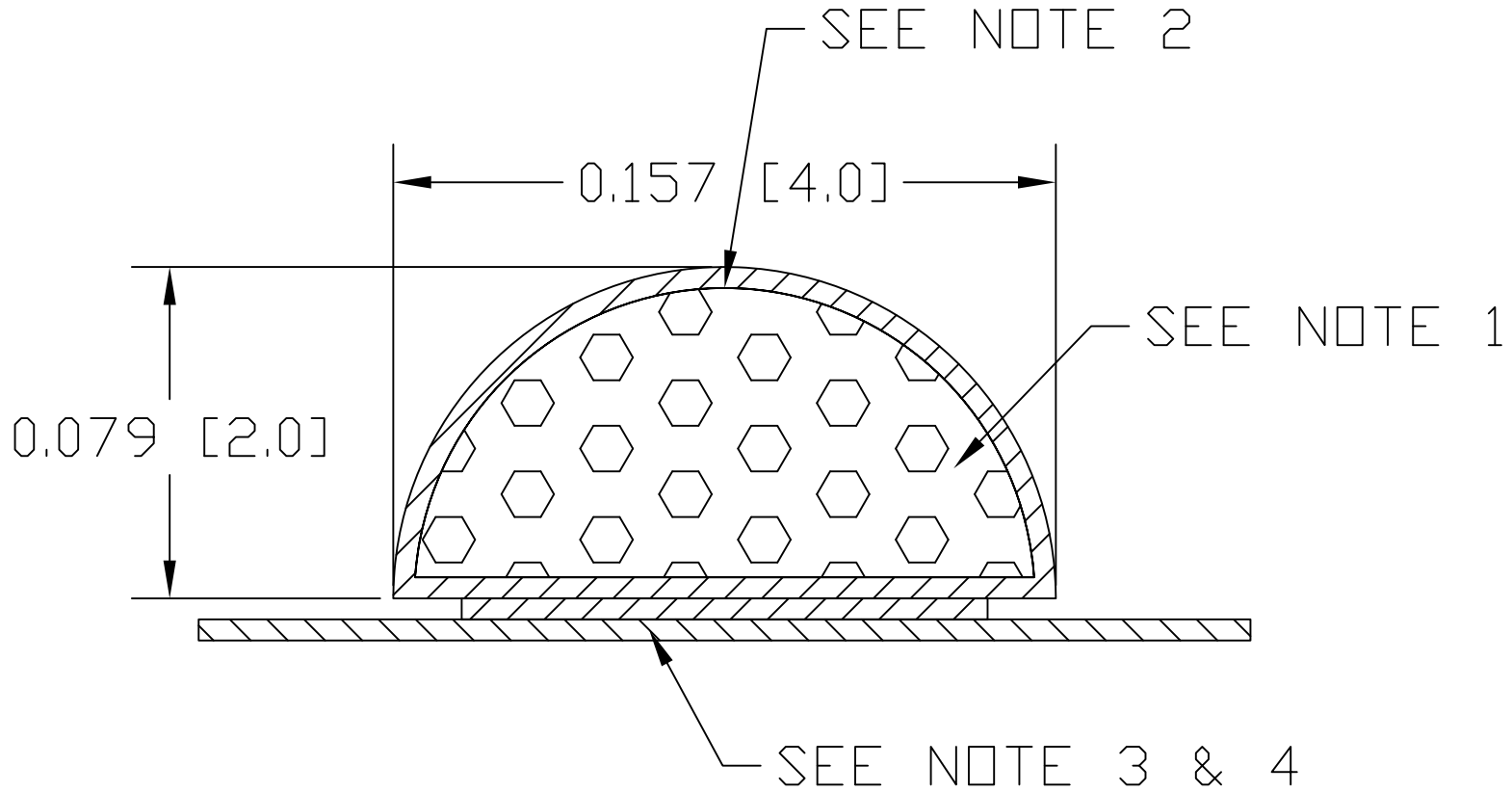


CONFIDENTIAL & PROPRIETARY

THIS INFORMATION IS CONFIDENTIAL AND PROPRIETARY TO LAIRD TECHNOLOGIES. IT MAY NOT BE DISCLOSED TO ANYONE, OTHER THAN LAIRD TECHNOLOGIES PERSONNEL, WITHOUT WRITTEN AUTHORIZATION FROM LAIRD TECHNOLOGIES.



NOTES:

1. FOAM: HF-1
2. FABRIC: NICKEL NRS FR
3. TAPE: .125" TAPE HI-TEMP(3M9485)
4. LINER: 1/4" EXTENDED RELEASE LINER
5. FABRIC SEAM LOCATION MAY VARY.
6. CARRIER: NO CARRIER

REVISIONS:	TITLE:		DRAWN	DATE	SCALE:	DIMENSIONS ARE IN INCHES. UNLESS OTHERWISE SPECIFIED, TOLERANCES ARE AS FOLLOWS:		
	SHIELDING GASKET		D.D.G	11/30/01	1/1			
	Dwg. or Part No.		CHECKED BY:	DATE			DECIMALS	LENGTH
	4283-AB-51K		B GAVENDA	05/03/07			.XX ± .03	0" - 6" ± .030"
	REV.	RELEASED BY:	DATE		.XXX ± .020	6" - 11" ± .050"		
	0	B GAVENDA	05/03/07		ANGLES	11" - 48" ± .100"		
					± 1/2"	48" - 70" ± .187"		
						70" - 144" ± .250"		

