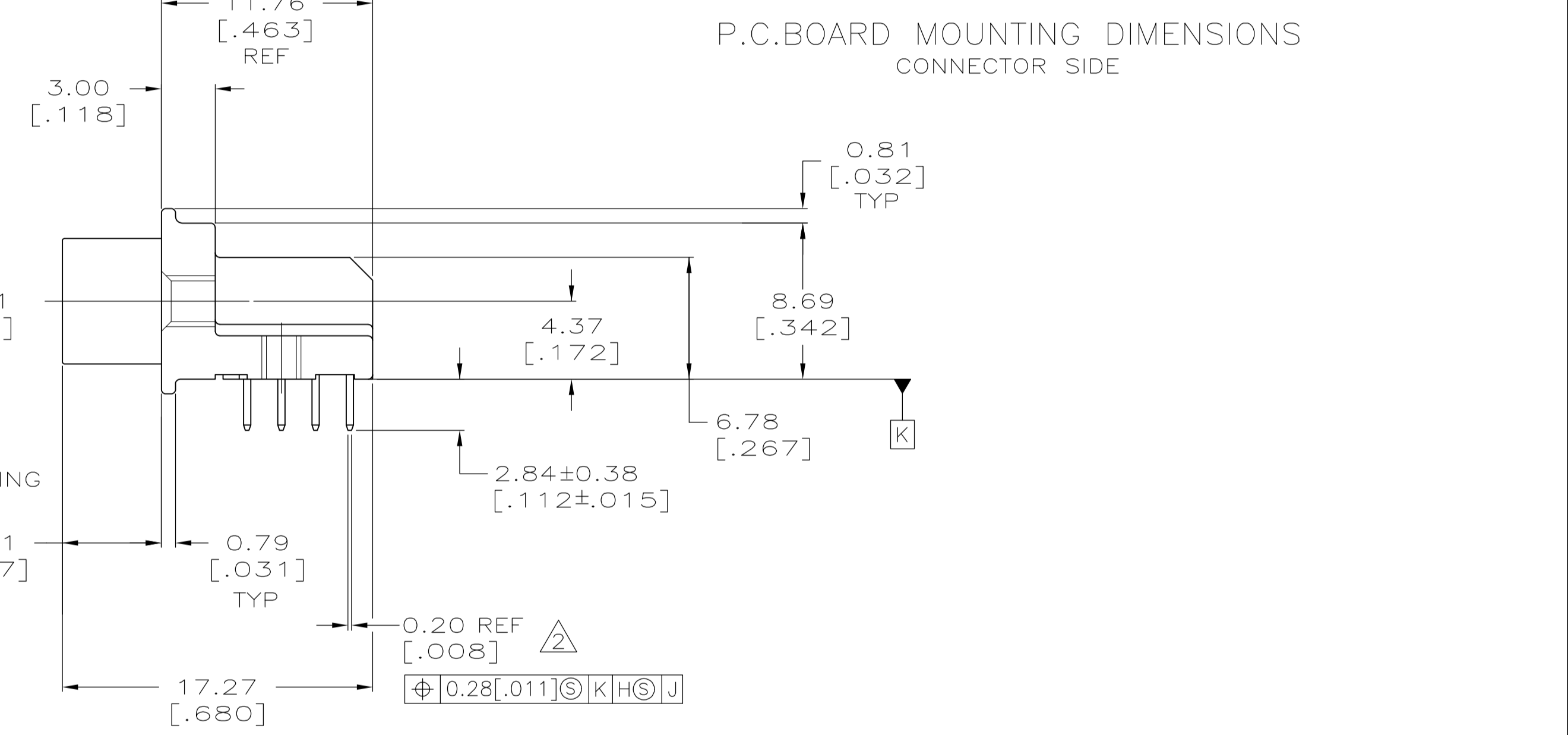
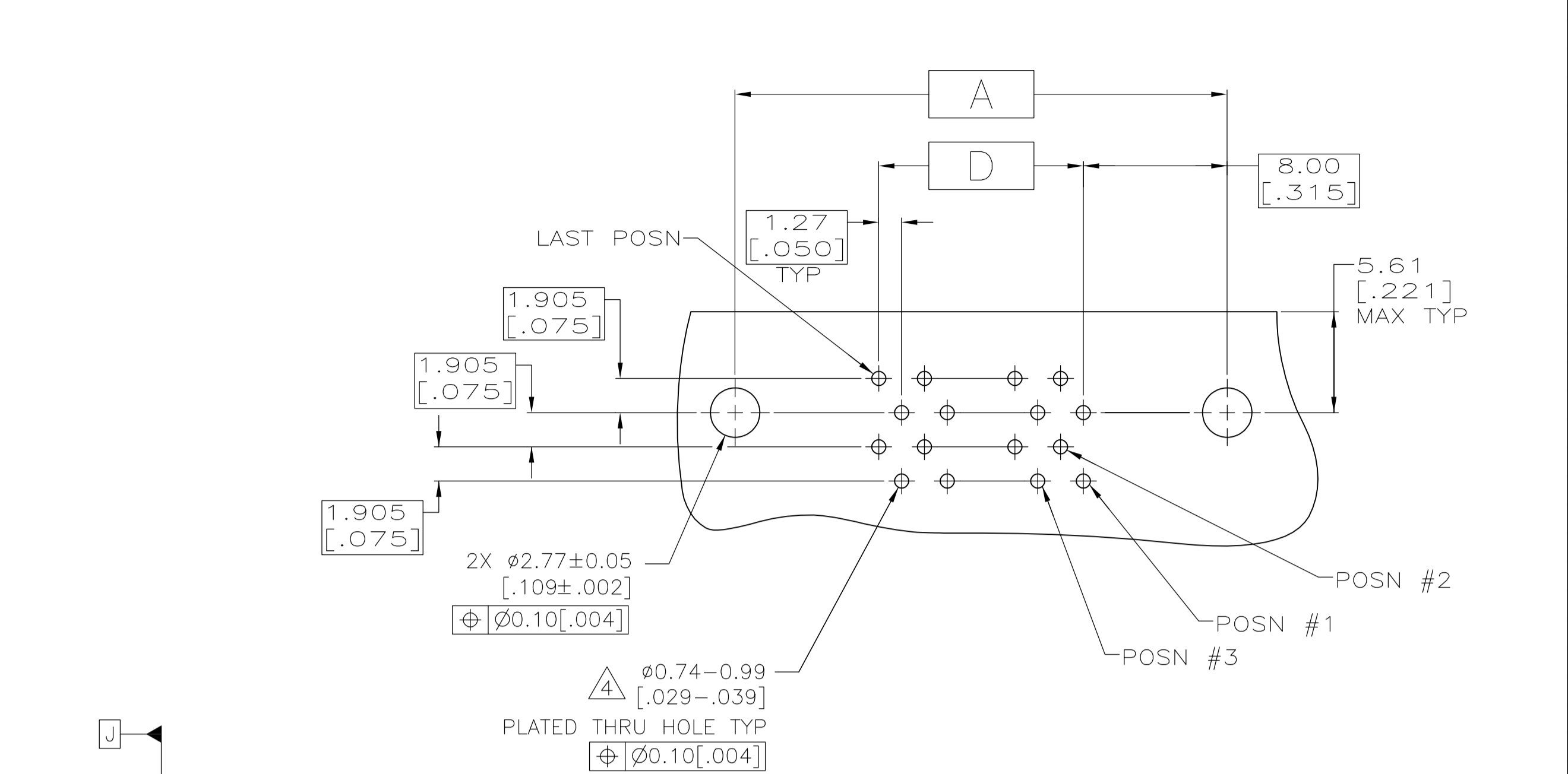
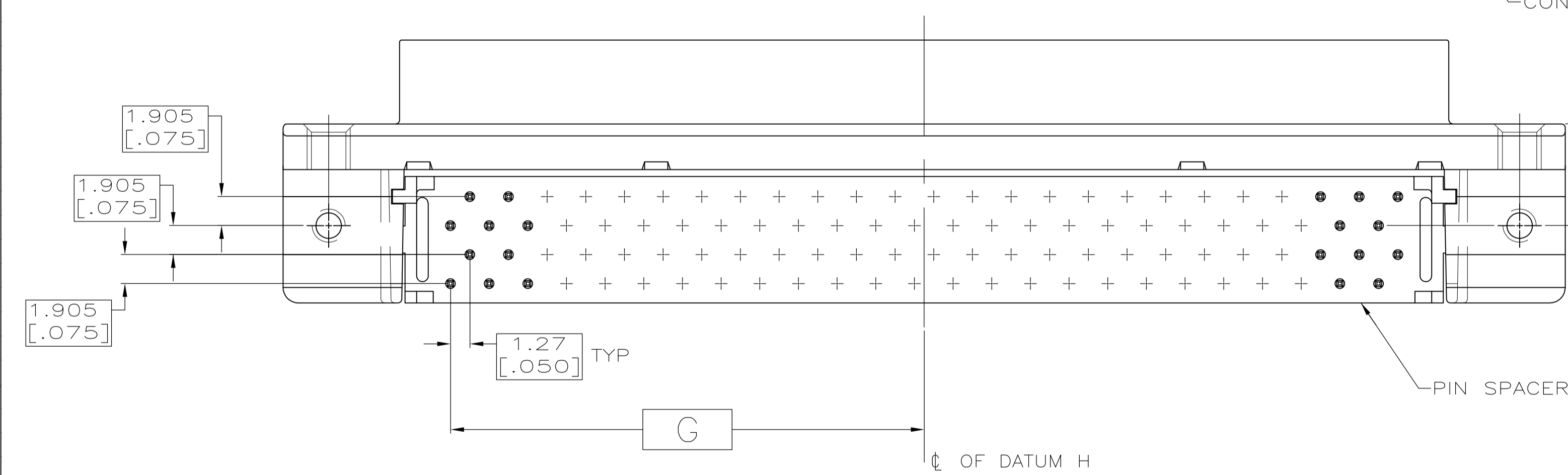
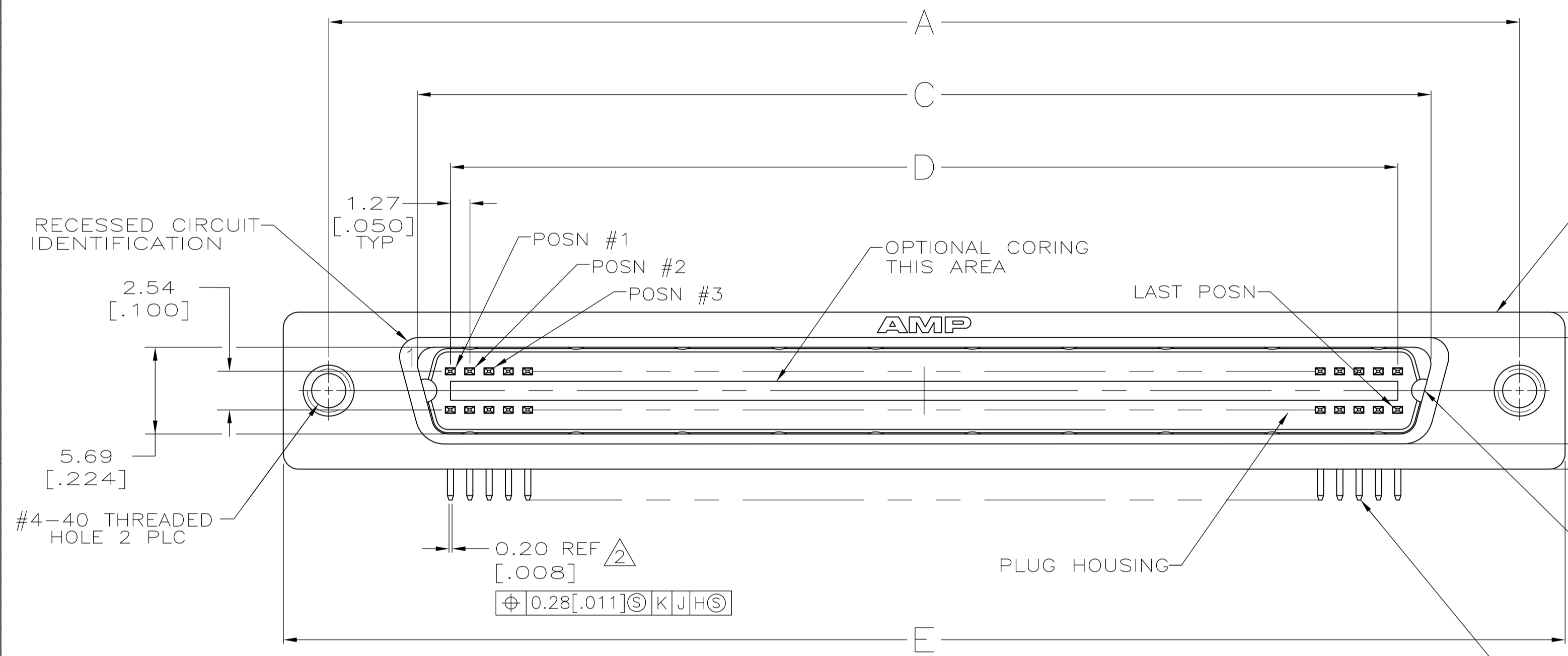
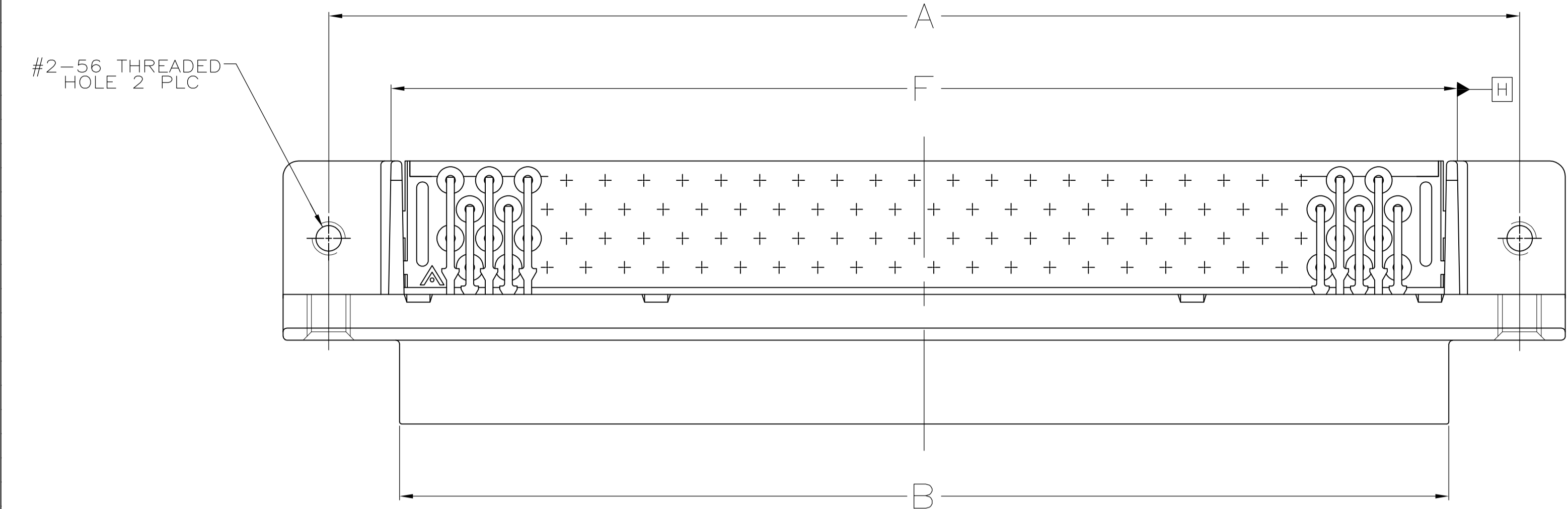


LOC		DIST		REVISONS			
GP	00	P	LTR	DESCRIPTION	DATE	DWN	APVD
A				RELEASED PER ECO-11-007655	13APR2011	CJV	SLB



- 1 FINISH
CONTACTS: 0.76 μ m [.000030] MIN GOLD PLATE FOR A LENGTH OF 3.35 [.132] MIN FROM MATING END, 3.81 μ m [.000150] MIN TIN-LEAD FOR A LENGTH OF 3.23 [.127] MIN FROM OPPOSITE END, ALL OVER 1.27 μ m [.000050] MIN NICKEL UNDERPLATE.
BRACKETS: NICKEL PLATE.
- 2 POSITION TOLERANCE APPLIES AT TIP ONLY.
- 3 MATERIAL
CONTACTS: PHOSPHOR BRONZE
HOUSING & PIN SPACER: UL V-0 RATED POLYESTER LCP COLOR BLACK
BRACKET: ZINC.
- 4 ACTUAL HOLE SIZE USED WILL DEPEND ON TRACE ROUTING REQUIREMENTS BETWEEN HOLES AND CONNECTOR PLACEMENT TECHNIQUE.

31.11 [1.225]	70.36 [2.770]	84.20 [3.315]	62.23 [2.450]	66.60 [2.622]	68.94 [2.714]	78.23 [3.080]	100	2180279-9
G	F	E	D	C	B	A	NO. OF POSN	PART NO.

THIS DRAWING IS A CONTROLLED DOCUMENT.		DIN C. VALENTINE 13APR2011		S. BOLASH 13APR2011		S. BOLASH 13APR2011		NAME		TE Connectivity	
DIMENSIONS: mm [INCHES]		TOLERANCES UNLESS OTHERWISE SPECIFIED:		PRODUCT SPEC		APPLICATION SPEC		SIZE		RESTRICTED TO	
3		1		108-1228		114-40029		A1		-	
MATERIAL		FINISH		WEIGHT		CUSTOMER DRAWING		SCALE		SHEET	
		1		-		A1		4:1		1 OF 1	