

Cable - VIP-CAB-FLK14/16/1,0M/S7 - 2904515


Please be informed that the data shown in this PDF Document is generated from our Online Catalog. Please find the complete data in the user's documentation. Our General Terms of Use for Downloads are valid (<http://phoenixcontact.com/download>)



Round cable set for SIMATIC® TOP connect with 1 x IDC/FLK socket strip (16-position) on 1 x IDC/FLK socket strip (14-position), Cable length: 1 m



Key Commercial Data

| | |
|--------------|---|
| Packing unit | 1 STK |
| GTIN |  4 046356 859318 |
| GTIN | 4046356859318 |

Technical data

General

| | |
|---|---|
| Nominal voltage U_N | < 50 V AC |
| | 60 V DC |
| Max. current carrying capacity per path | 1 A |
| Max. conductor resistance | 0.16 Ω /m |
| Length of cable | 1 m |
| Single wire, cross section | 0.14 mm ² |
| Single wire, cross section [AWG] | 26 |
| Conductor construction: Number of litz wires: | 7 |
| Single wire, material | Cu tin-plated |
| External diameter | 6.4 mm |
| Cable, preassembly | Insulation displacement, IEC 60352-4/DIN EN 60352-4 |
| Shielding | no |
| Outer sheath, material | PVC |
| External sheath, color | gray RAL 7035 |

Environmental conditions

| | |
|---|------------------|
| Ambient temperature (operation) | -20 °C ... 50 °C |
| Ambient temperature (storage/transport) | -20 °C ... 70 °C |

Cable - VIP-CAB-FLK14/16/1,0M/S7 - 2904515

Technical data

Environmental conditions

| | |
|---------------------|-----------------------------|
| Flame resistance | IEC 60332-1 |
| | DIN VDE 0482 Part 332-1 |
| Resistance to oil | UL 1581 |
| Gasoline resistance | Against occasional splashes |

Connector 1

| | |
|-----------------------|----------------------|
| Connection name | Field level |
| Connection method | IDC/FLK socket strip |
| Number of connections | 1 |
| Number of positions | 14 |
| Pitch | 2.54 mm |

Connector 2

| | |
|-----------------------|----------------------|
| Connection name | Controller level |
| Connection method | IDC/FLK socket strip |
| Number of connections | 1 |
| Number of positions | 16 |
| Pitch | 2.54 mm |

Supported controller

| | |
|------------|---------------------|
| Controller | SIEMENS TOP connect |
|------------|---------------------|

Standards and Regulations

| | |
|----------------------------------|-------------------------|
| Resistance to oil | UL 1581 |
| Connection in acc. with standard | CUL |
| Flame resistance | IEC 60332-1 |
| | DIN VDE 0482 Part 332-1 |

Environmental Product Compliance

| | |
|------------|---|
| China RoHS | Environmentally Friendly Use Period = 50 |
| | For details about hazardous substances go to tab "Downloads", Category "Manufacturer's declaration" |

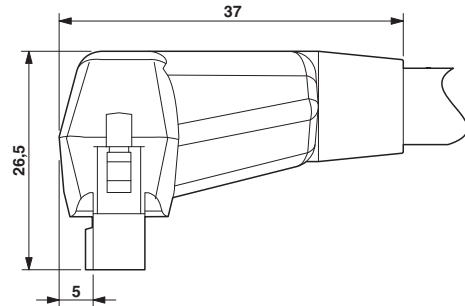
Drawings

Cable - VIP-CAB-FLK14/16/1,0M/S7 - 2904515

Connection diagram

| 14-pos. Socket strip PIN | 16-pos. Socket strip PIN | Wire color |
|--------------------------------|--------------------------------|--------------|
| 1 | 16 | Black |
| 2 | 14 | Brown |
| 3 | 12 | Red |
| 4 | 10 | Orange |
| 5 | 8 | Yellow |
| 6 | 6 | Green |
| 7 | 4 | Blue |
| 8 | 2 | Violet |
| 9 | 9 | Gray |
| 10 | 1 | White |
| 11 | 11 | White-black |
| 12 | 3 | White-brown |
| 13 | 13 | White-red |
| 14 | 5 | White-orange |
| | 7 | - |
| | 15 | - |

Dimensional drawing



Pin assignment and color code

Approvals

Approvals

Approvals

EAC / UL Listed / cUL Listed / cULus Listed

Ex Approvals

Approval details

| | | |
|-----|--|-------------------------|
| EAC | | RU C- DE.A*30.B00767 |
|-----|--|-------------------------|

| | | | |
|--------------------------------|--|---|---------------|
| UL Listed | | http://database.ul.com/cgi-bin/XYV/template/LISEXT/1FRAME/index.htm | FILE E 238705 |
| Nominal current I _N | | 1 A | |
| Nominal voltage U _N | | 125 V | |

| | | | |
|--------------------------------|--|---|---------------|
| cUL Listed | | http://database.ul.com/cgi-bin/XYV/template/LISEXT/1FRAME/index.htm | FILE E 238705 |
| Nominal current I _N | | 1 A | |

Cable - VIP-CAB-FLK14/16/1,0M/S7 - 2904515

Approvals

| | |
|--------------------|-------|
| Nominal voltage UN | 125 V |
|--------------------|-------|

| | |
|--------------|---|
| cULus Listed |  |
|--------------|---|

Phoenix Contact 2017 © - all rights reserved
<http://www.phoenixcontact.com>

PHOENIX CONTACT GmbH & Co. KG
Flachsmarktstr. 8
32825 Blomberg
Germany
Tel. +49 5235 300
Fax +49 5235 3 41200
<http://www.phoenixcontact.com>