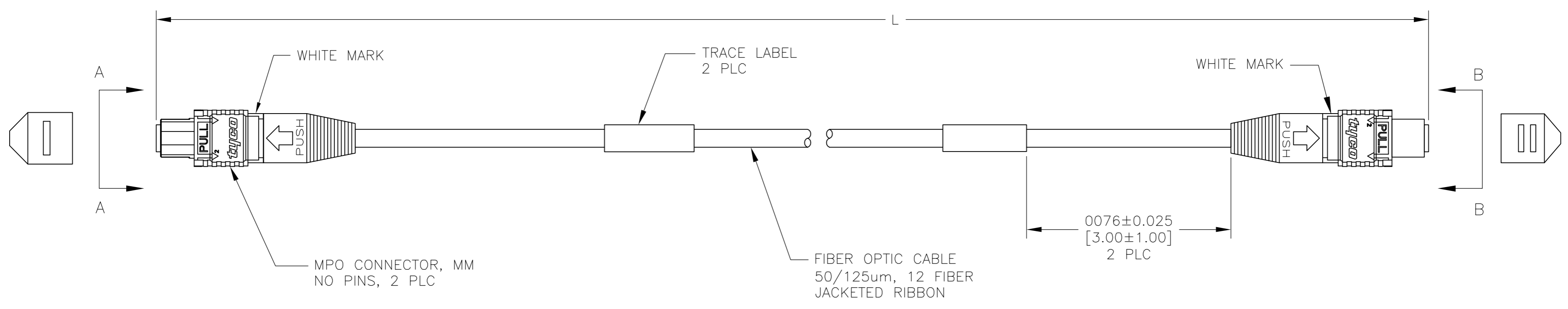
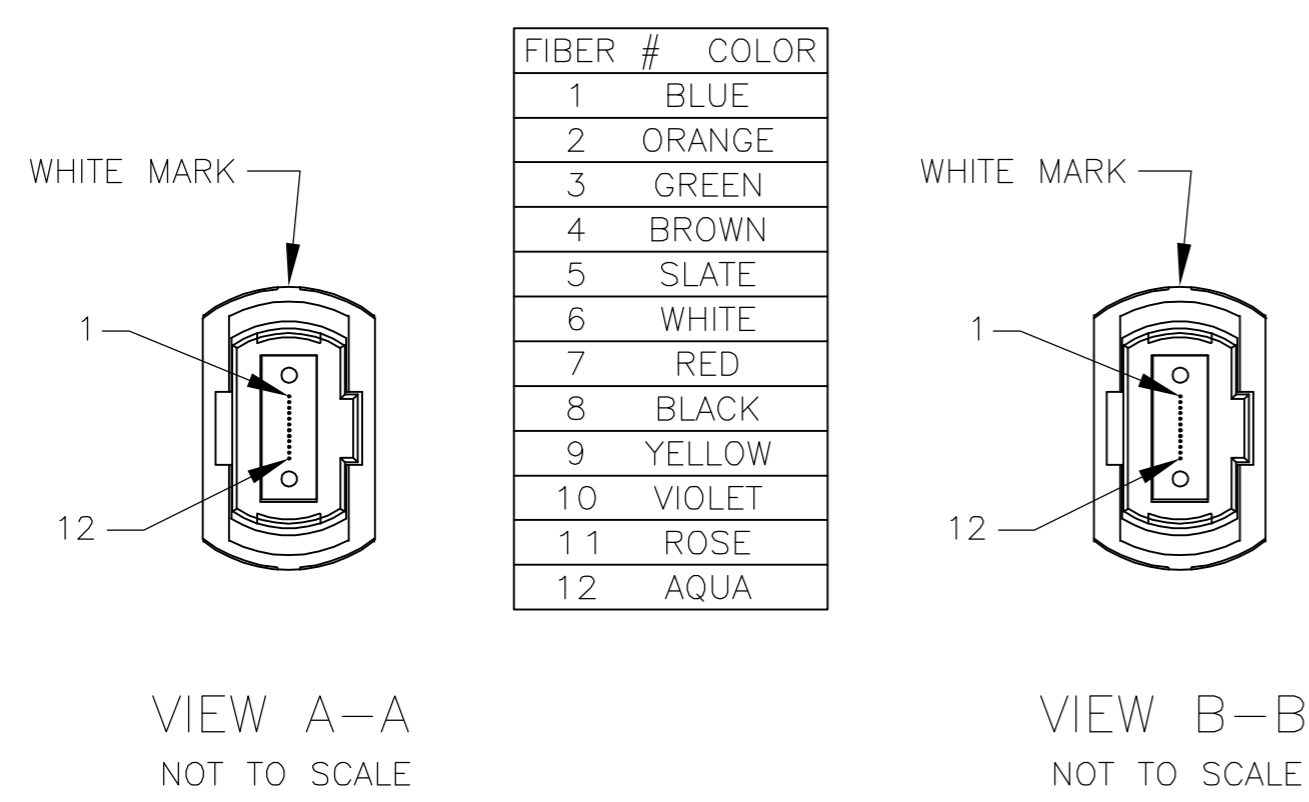


LOC	DIST	REVISIONS			
P	LTR	DESCRIPTION	DATE	DWN	APVD
CE	16	A	NEW RELEASE	13FEB06	JWD JB

- MAXIMUM INSERTION LOSS IS 0.5dB PLUS CABLE ATTENUATION OF 1.5dB/KM AT 1300nm (SEE TABLE)
- PRODUCT AND PROCESSING MUST MEET REQUIREMENTS OF TYCO ELECTRONICS STANDARD 230-702



STRAIGHT THROUGH



MPO CONNECTOR FIBER PATH

0.61	70.000±0.700 [2756.0±27.6]	1-6588930-1
0.52	10.000±0.150 [393.7±5.9]	1-6588930-0
0.51	5.000±0.080 [196.8±3.2]	6588930-5
0.50	3.000±0.050 [118.1±2.0]	6588930-3
0.50	2.000±0.050 [78.7±2.0]	6588930-2
0.50	1.000±0.050 [39.4±2.0]	6588930-1
MAX IL (dB)	L METERS [INCHES]	PART NUMBER

THIS DRAWING IS A CONTROLLED DOCUMENT.		DWN J.W.DAVIS 13FEB06	Tyco Electronics Corporation Harrisburg, PA 17105-3608	
DIMENSIONS: METERS [INCHES]		CHK J.BARRY 13FEB06		
TOLERANCES UNLESS OTHERWISE SPECIFIED:		APVD F.McCORKEL 13FEB06	NAME	
0 PLC ± -		PRODUCT SPEC		
1 PLC ± -		APPLICATION SPEC		
2 PLC ± -		WEIGHT		
3 PLC ± -		SIZE A2		
4 PLC ± -		CAGE CODE 00779		
ANGLES ± -		DRAWING NO C-6588930		
FINISH		RESTRICTED TO		
MATERIAL		CUSTOMER DRAWING		
		SCALE NTS		SHEET 1 of 1
				REV A

6588930