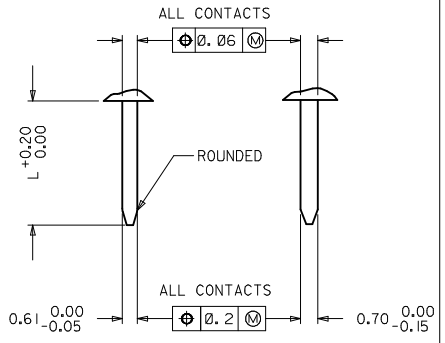
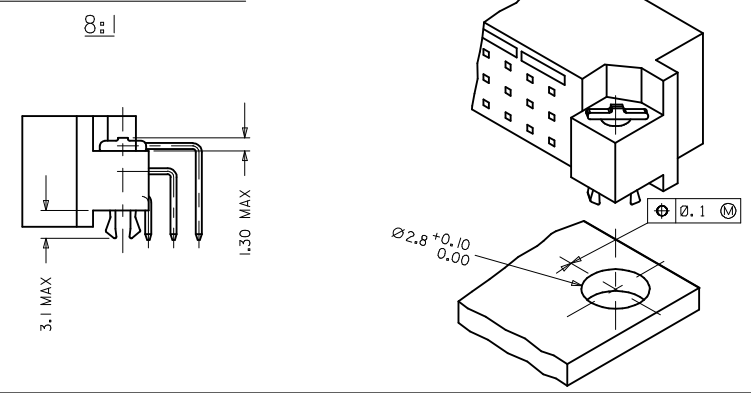


DETAILY DETAILX

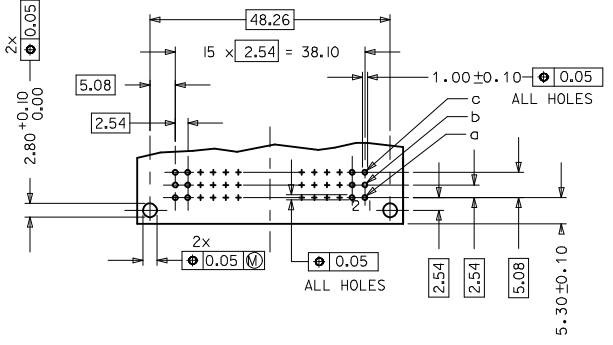


WITH MOUNTING CLIPS



- NOTES:
- MATERIALS: THERMX (PCT), GLASS FILLED, UL94V-0, COLOUR: NATURAL
TERMINAL - BRASS
MOUNTING CLIP: STEEL
 - FINISH: TERMINAL:- CONTACT AREA
 - PERFORMANCE LEVEL 1: SELECTIVE GOLD (Au), THICKNESS = 1.1 MICROMETER OVER NICKEL, THICKNESS = 1.25 MICROMETER
 - PERFORMANCE LEVEL 2: SELECTIVE GOLD (Au), THICKNESS = 0.6 MICROMETER OVER NICKEL, THICKNESS = 1.25 MICROMETER
 - PERFORMANCE LEVEL 3: SELECTIVE GOLD (Au), THICKNESS = 0.3 MICROMETER OVER NICKEL, THICKNESS = 1.25 MICROMETER
 TERMINATION AREA:
SELECTIVE TIN, THICKNESS = 2.5 MICROMETER
OVER NICKEL, THICKNESS = 1.25 MICROMETER OVERALL
 - MOUNTING CLIP:-
TIN (Sn), THICKNESS = 5-10 MICROMETER,
OVER NICKEL (Ni), THICKNESS = 2.5 MICROMETER
 - FOR NON MOUNTING CLIP OPTION, CONNECTOR TO BE SECURED WITH RIVETS: 2 TUBULAR RIVETS 2.5 x 0.3 ... DIN 7340
SCREWS: 2 CHEESEHEAD SCREWS M2.5 x ... DIN 84 AND 2 HEXAGONAL NUTS M2.5 DIN 934
 - STANDARD MARKING: MOLEX, MATERIAL NUMBER, BATCH CODE,
 - CUT FACE OF TIP WITHOUT PLATING PERMITTED
 - PRODUCT SPECIFICATION PS : 85003-0001

RECOMMENDED PCB LAYOUT
COMPONENT SIDE



PRE MATING CONTACTS	5.4
NORMAL CONTACTS	4.8
	L

RoHS COMPLIANT

EC NO: I2007-0172 DRAWN: JAYENGG 2008/06/19 CHKD: SUDHIR 2009/06/19 APPR: KRASAO 2009/01/22	QUALITY SYMBOLS ▽=0 ▽=0	GENERAL TOLERANCES (UNLESS SPECIFIED)	DIMENSION STYLE	SCALE	DESIGN UNITS	THIRD ANGLE PROJECTION
		mm INCH 4 PLACES ± 0.05 ± 0.002 3 PLACES ± 0.05 ± 0.002 2 PLACES ± 0.1 ± 0.004 1 PLACE ± 0.15 ± 0.006 ANGULAR ± 2°	MM ONLY	2:1	METRIC	
C1	DESCRIPTION	DRAFT WHERE APPLICABLE MUST REMAIN WITHIN DIMENSIONS		SEE CHART	DOCUMENT NO.	SHEET NO.
				SD-85003-0002	4 OF 4	
THIS DRAWING CONTAINS INFORMATION THAT IS PROPRIETARY TO MOLEX INCORPORATED AND SHOULD NOT BE USED WITHOUT WRITTEN PERMISSION						

20 19 18 17 16 15 14 13 12 11 9 8 7 6 5 4 3 2 1

VIEW ON MATING SIDE

⊙	X	C	C	C	C	C	C	C	C	C	C	C	C	C	C	X
⊙	Y	B	B	B	B	B	B	B	B	B	B	B	B	B	B	Y
⊙	Z	A	A	A	A	A	A	A	A	A	A	A	A	A	A	Z
	16	15	14	13	12	11	10	9	8	7	6	5	4	3	2	1

A = 14 STANDARD CONTACTS L= 3,0
 B = 14 STANDARD CONTACTS L= 3,0
 C = 14 STANDARD CONTACTS L= 3,0
 Z = 2 FMLB CONTACTS +0,6 L= 3,0
 Y = 2 FMLB CONTACTS +0,6 L= 3,0
 X = 2 FMLB CONTACTS +0,6 L= 3,0
 S = 48 TOTAL NUMBER OF CONTACTS

MARKING	STANDARD
PERFORMANCE LEVEL	G2/O = CONTACT AREA LEVEL2 / TERMINATION TIN
FLUX PROOF	NO
FIXING CLIP	YES
DIMENSIONS	SD-85003-0002 SHT 4

X	G2/O	c1,16
Y	G2/O	b1,16
Z	G2/O	a1,16
C	G2/O	c2-15
B	G2/O	b2-15
A	G2/O	a2-15
CONTACT SYMBOL	PERFORMANCE LEVEL	CONTACT POSITION NUMBER

EC NO. I 2004-XXXX DRAWN BY 09/09/03 CHK'd G.L. 09/09/03 APPR'd L. 09/09/03	QUALITY SYMBOLS MAJOR CRITICAL	GENERAL TOLERANCES: (UNLESS SPECIFIED): mm INCH 4 PLACES ±0.1 ±.005 3 PLACES ±0.1 ±.005 2 PLACES ±0.1 ±.005 1 PLACE ±0.1 ±.005	SCALE DESIGN UNITS <input checked="" type="checkbox"/> MM <input type="checkbox"/> INCH	DRAWN BY & DATE N.S. 14/05/01 CHECKED BY & DATE G.L. 14/05/01 APPROVED BY & DATE G.L. 14/05/01	DIMENSIONS: THIRD ANGLE PROJECTION <input type="checkbox"/> MM INCH <input checked="" type="checkbox"/> INCH ONLY	SHT 1 REV 1 REVISE ON CAD ONLY	
	CAD FILENAME SD-85003-7093.S0		MATERIAL NO. 85003-7093		DRAWING NO. SD-85003-7093		
	DRAFT WHERE APPLICABLE MUST REMAIN WITHIN DIMENSIONS		THIS DRAWING CONTAINS INFORMATION THAT IS PROPRIETARY TO MOLEX INCORPORATED AND SHOULD NOT BE USED WITHOUT WRITTEN PERMISSION.				
	SHEET NO. 1 OF 1		SIZE D				

19 18 17 16 15 14 13 12 11 10 9 8 7 6 5 4 3 2 1