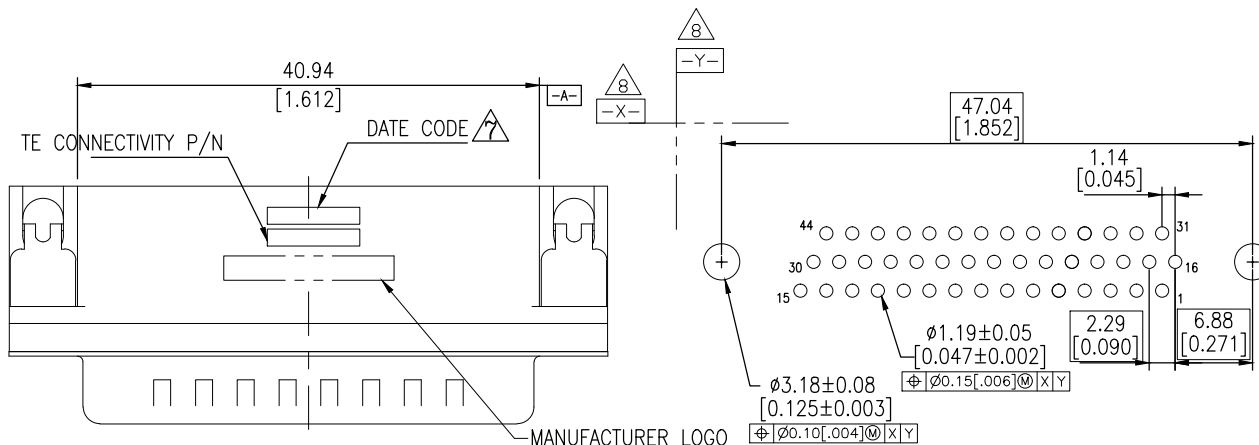
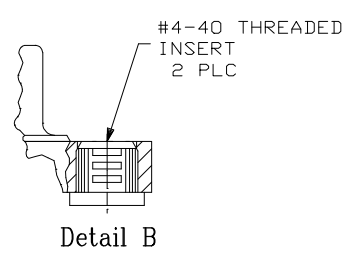
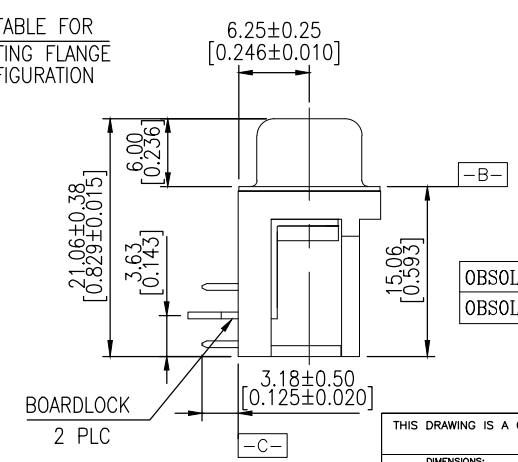
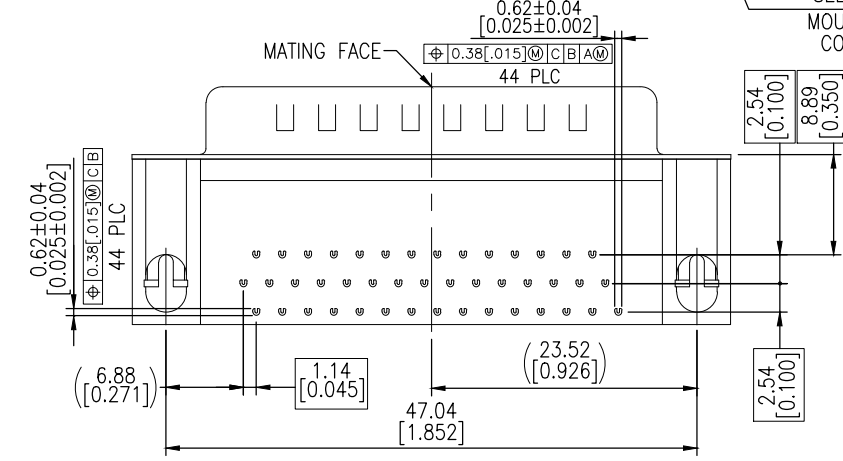
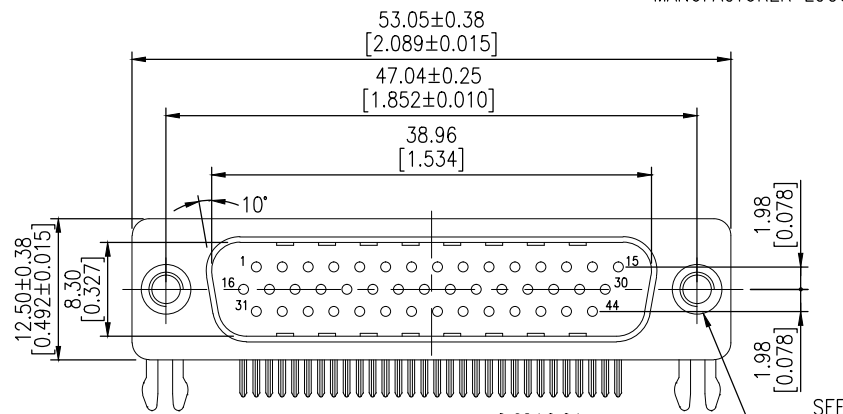


THIS DRAWING IS UNPUBLISHED. RELEASED FOR PUBLICATION
 © COPYRIGHT - By - ALL RIGHTS RESERVED.

LOC		REVISIONS					
GP	00	P	LTR	DESCRIPTION	DATE	DWN	APVD
		A2		REVISED PER ECR-14-000726	30APR2014	S.C	H.L



RECOMMENDED PCB LAYOUT



- HOUSING MATERIAL: PBT, GLASS FILLED, BLACK, UL 94V-0 RATED.
 - CONTACT MATERIAL: PHOSPHOR BRONZE.
 - CONTACT FINISH: GOLD PLATE IN MATING AREA (SEE TABLE), 120μ" MIN TIN PLATE ON SOLDER TAIL, BOTH OVER 50μ" MIN NICKEL UNDERPLATE.
 - SHELL: STEEL, NICKEL PLATE.
 - BOARDLOCK: BRASS, 100μ" MIN TIN PLATE.
 - THREADED INSERTS: BRASS, NICKEL PLATE.
- △ FOUR DIGIT DATE CODE IN THIS FORMAT.
- Year 01 45 Manufacturing Week
- △ DATUMS $\square-X-$ & $\square-Y-$ TO BE ESTABLISHED BY CUSTOMER.

OBSOLETE	Tray	Detail B	Gold flash	5749771-3
OBSOLETE	Tray	Detail B	15μ" MIN	5749771-2
	Tray	Detail B	30μ" MIN	5749771-1
	Packaging	Mounting Flange Configuration	CONTACT MATING AREA FINISH	PART NUMBER

THIS DRAWING IS A CONTROLLED DOCUMENT.		DWN	B. MCMASTER	22SEP05	 TE Connectivity AMPLIMITE HD-22 44 POS PLUG, RIGHT ANGLE
DIMENSIONS:		CHK	S. BOLASH	22SEP05	
mm		APVD	M. WALMSLEY	22SEP05	
TOLERANCES UNLESS OTHERWISE SPECIFIED: 0 PLC ± - 1 PLC ± 0.30 2 PLC ± 0.20 3 PLC ± 0.10 4 PLC ± - ANGLES ± 2°		NAME			
MATERIAL		FINISH	WEIGHT		RESTRICTED TO
-		-	-		-
CUSTOMER DRAWING		SCALE	3:1	SHEET	1 of 1
		REV	A2		