

6A to 30A, 250VAC EMC Filters

Features

- ◆ Integrated Terminal Block With Captive Screws
- ◆ Compact Size
- ◆ DIN Rail Mount Accessory Kit
- ◆ Conforms to UL, CSA and EN Safety Agency Certifications

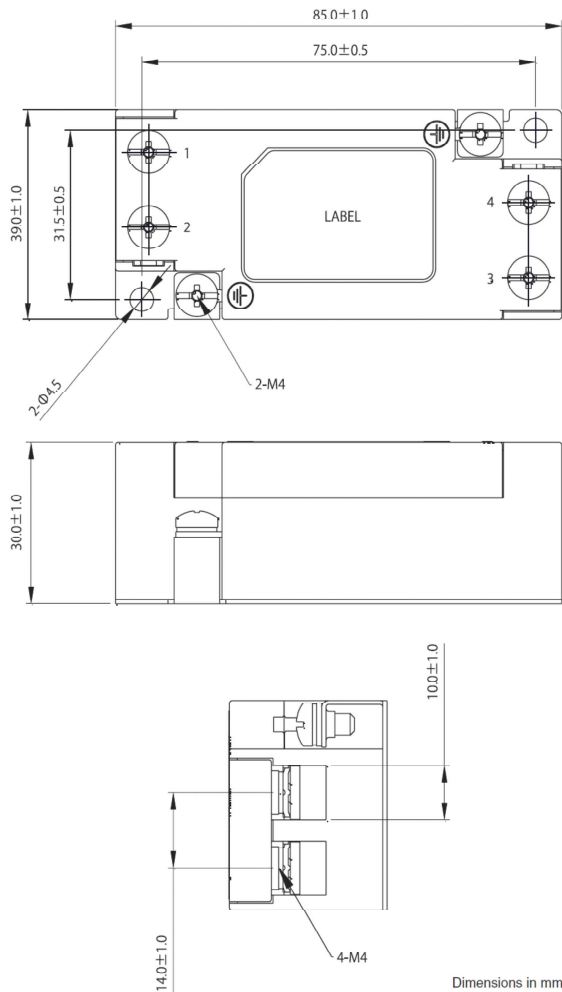


Key Market Segments & Applications



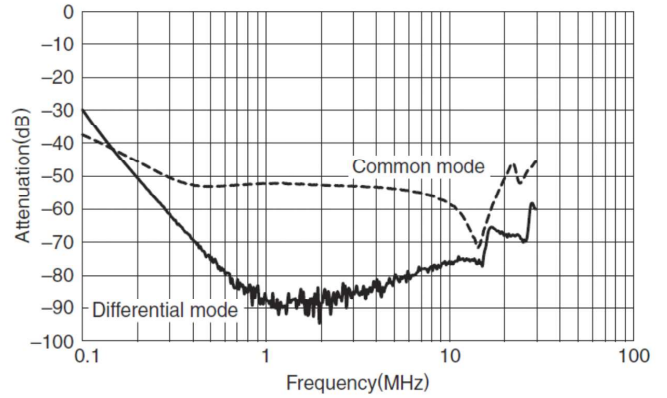
Specifications		RSEV-2006	RSEV-2010	RSEV-2016	RSEV-2020	RSEV-2030
Rated Voltage (AC, DC)	V	250V				
Rated Current	A	6A	10A	16A	20A	30A
Withstand Voltage	V	Terminals to Case: 2500VAC (1 Minute)				
Isolation Resistance	MΩ	100MΩ minimum (500VDC, 1 Minute)				
Leakage Current (max)	A	1mA (250VAC, 60Hz)				
DC Resistance (total)	mΩ	110	40	20	10	6
Operating Temperature	°C	-25 to +85°C (Derate above 55°C, see derating curve)				
Storage Temperature	°C	-25 to +85°C				
Safety Agency Certifications	-	UL1283, CSA C22.2 No.8, EN60939-3				
Weight	g	150g				
Size (W x L x H)	mm	39 x 85 x 30mm				
Warranty	yr	5 Year				

Outline Drawings

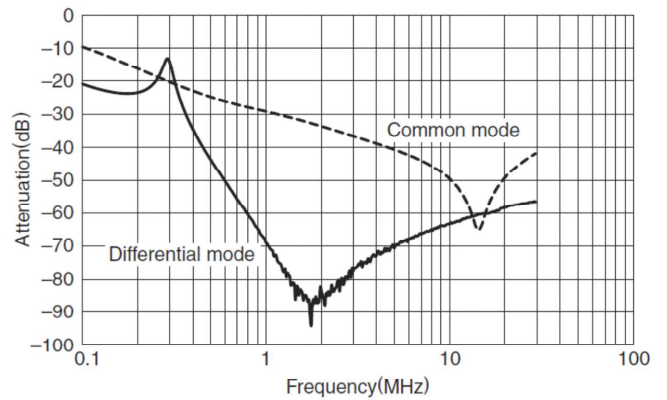


Attenuation Characteristics

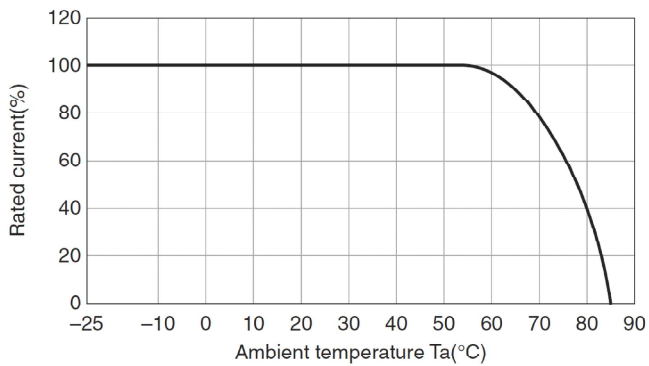
RSEV-2006



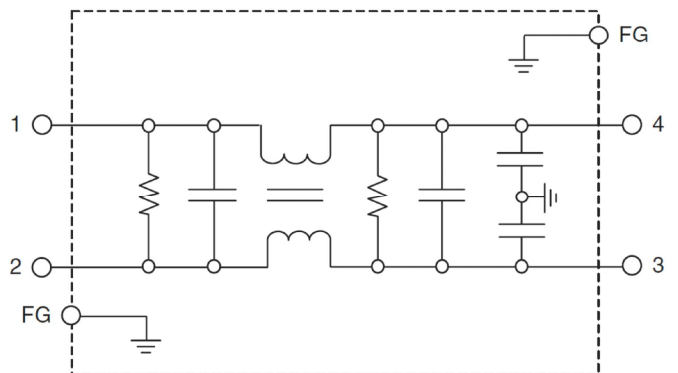
RSEV-2030



Derating



Circuit



Accessory

DIN Rail Mounting Kit

DIN-RSEV

For Additional Information, please visit
us.tdk-lambda.com/lp/products/r-series.htm

