

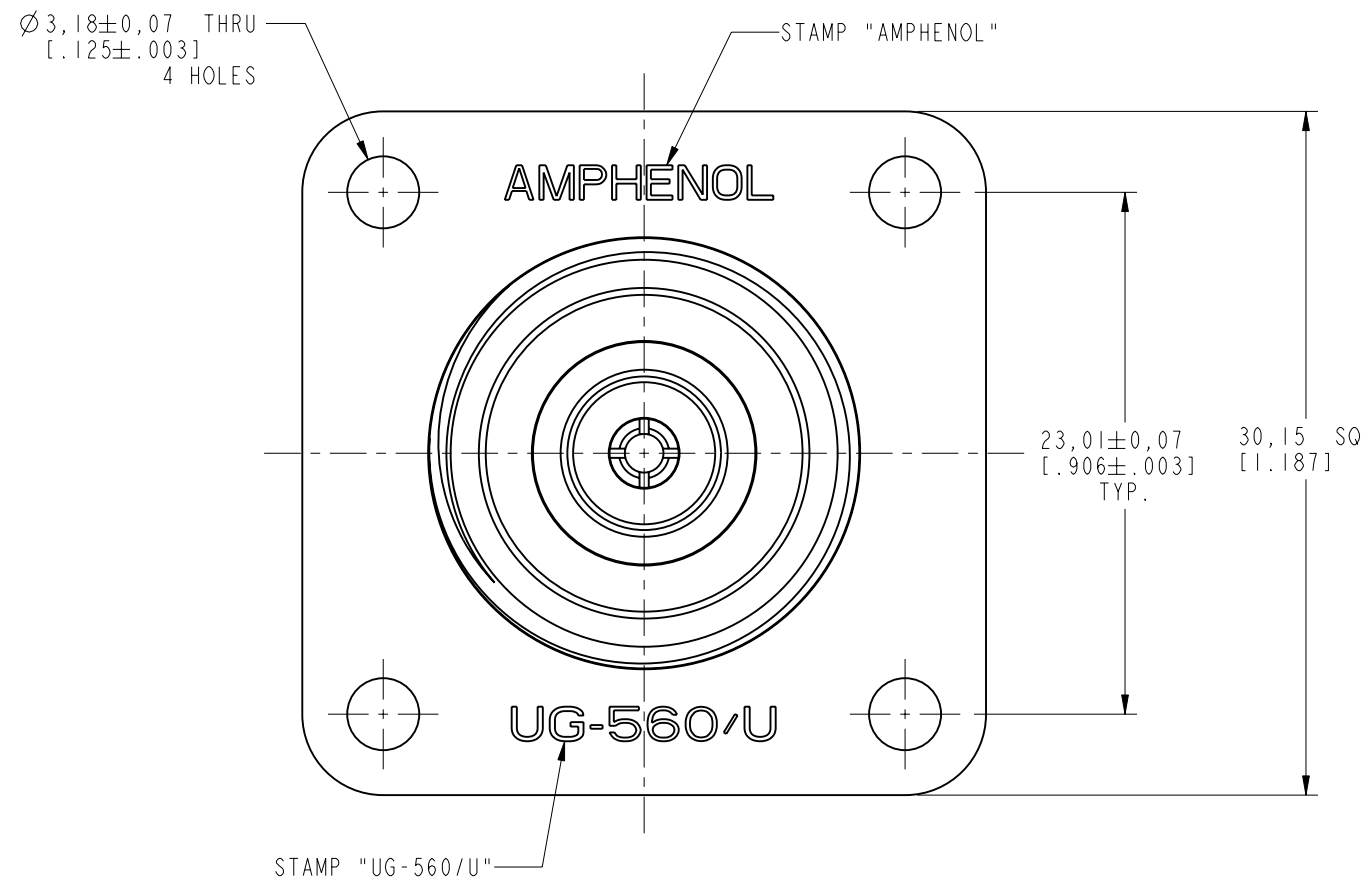
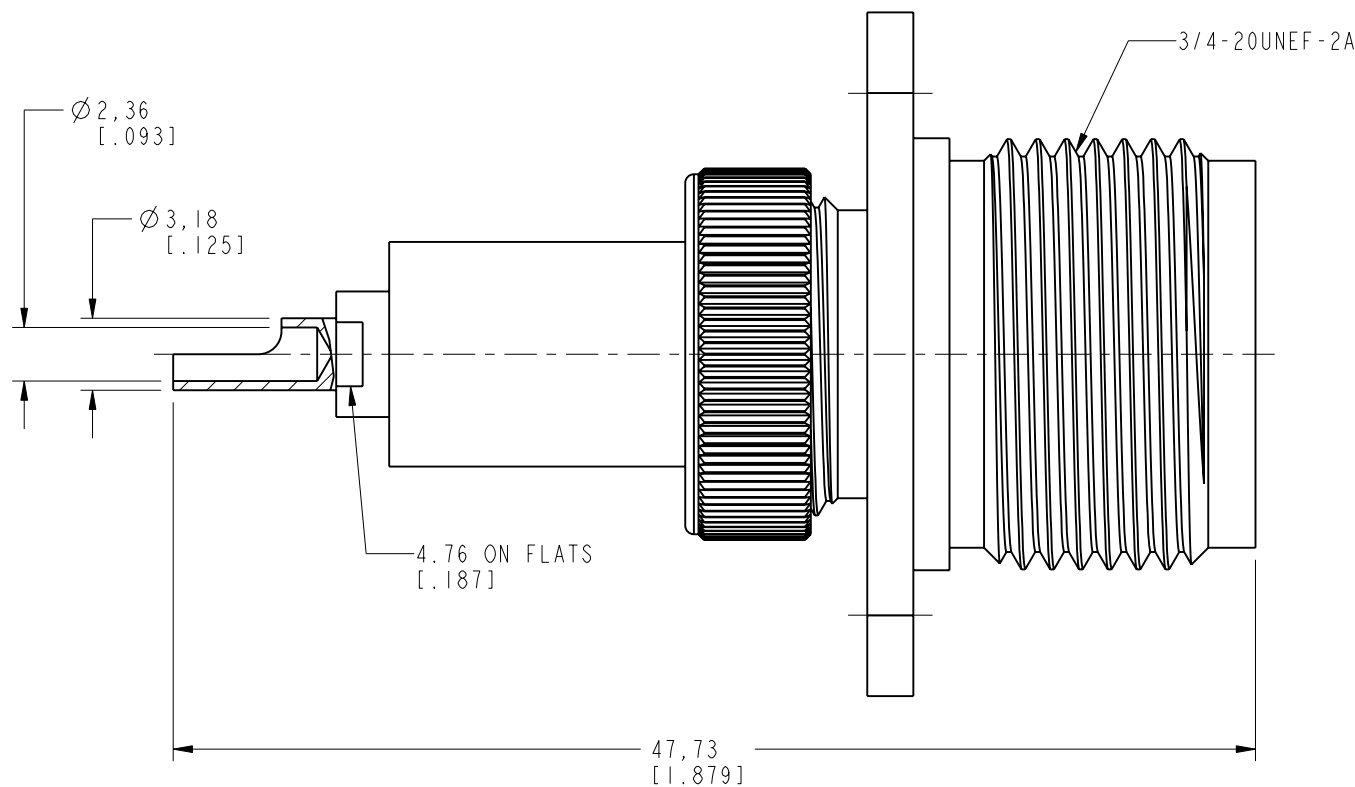
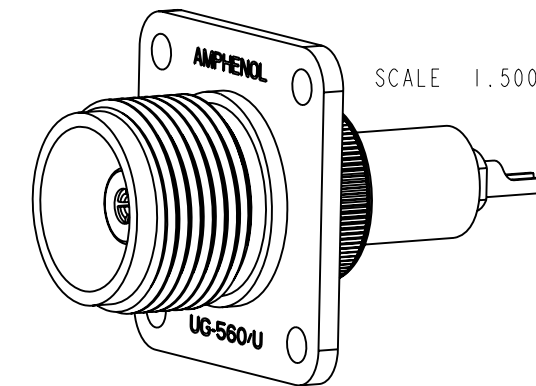
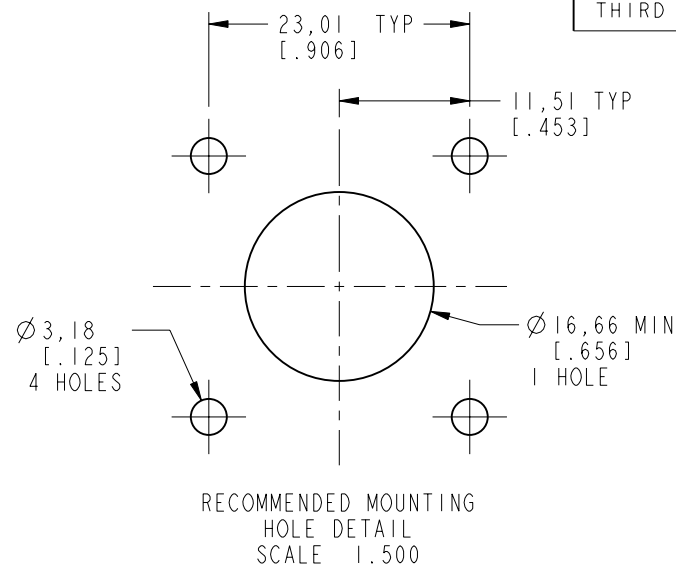
NOTES:

- MATERIALS AND FINISHES(PLATING THICKNESS IN MICRO-INCHES):  
 BODY & FLANGE - BRASS, NICKEL PLATING  
 CONTACT - BERYLLIUM COPPER, SILVER PLATING  
 CONTACT STUD - BRASS, SILVER PLATING  
 INSULATOR - PTFE
- PACKAGING:  
 A. PACKAGE CONNECTOR 8 PC PER TRAY.  
 B. MARK "82-805 YYWW"

THIRD ANGLE PROJ.

REVISIONS

REV	DESCRIPTION	DATE	ECO	APPR
N	STAMP "AMPHENOL " WAS "74868 " \RD-DMI204050IR3	19-Apr-12	48877	DH



**CUSTOMER OUTLINE DRAWING**

ALL OTHER SHEETS ARE FOR INTERNAL USE ONLY

UNLESS OTHERWISE SPECIFIED, DIMENSIONS ARE IN METRIC AND TOLERANCES ARE: < 0.5mm ± 0.05mm    0.5 - 6mm ± 0.1mm    6 - 30mm ± 0.2mm    30 - 120mm ± 0.3mm    ANGLES ± 1°	MATERIAL	DRAWN	DATE	TITLE 'HN' RECEPTACLE UG-560/U	Amphenol RF Danbury CT USA, Tainan, Taiwan, Shenzhen, China www.amphenolrf.com
	-	R. MAO	08-Mar-12		
NOTICE - These drawings, specifications, or other data (1) are, and remain the property of Amphenol corp. (2) must be returned upon request; and (3) are confidential and not to be disclosed to any person other than those to whom they are given by Amphenol Corp. the furnishing of these drawings, specifications, or other data by Amphenol Corp., or to any other person to anyone for any purpose is not to be regarded by implication or otherwise in any manner licensing, granting rights to permitting such holder or any other person to manufacture, use or sell any product, process or design, patented or otherwise, that may in any way be related to or disclosed by said drawings, specifications, or other data.	REFERENCE	ENGINEER	DATE	SCALE: 3.0:1.0    SHEET 2 OF 2	DRAWING NO. 82-805 ITEM NO. 82-805
	EAR #    AND	O. BARTHELMES	23-Jan-06		
	CONFIGURATION LEVEL: <input type="checkbox"/> <input type="checkbox"/> <input type="checkbox"/>	APPROVED	S. HSIEH	DATE	DWG SIZE
FINISH			08-Mar-12	B	N
					PART NO. 82-805