

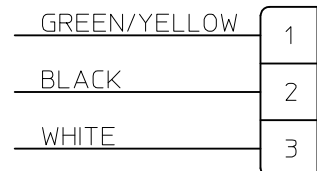
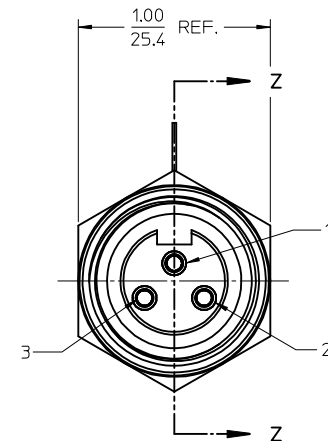
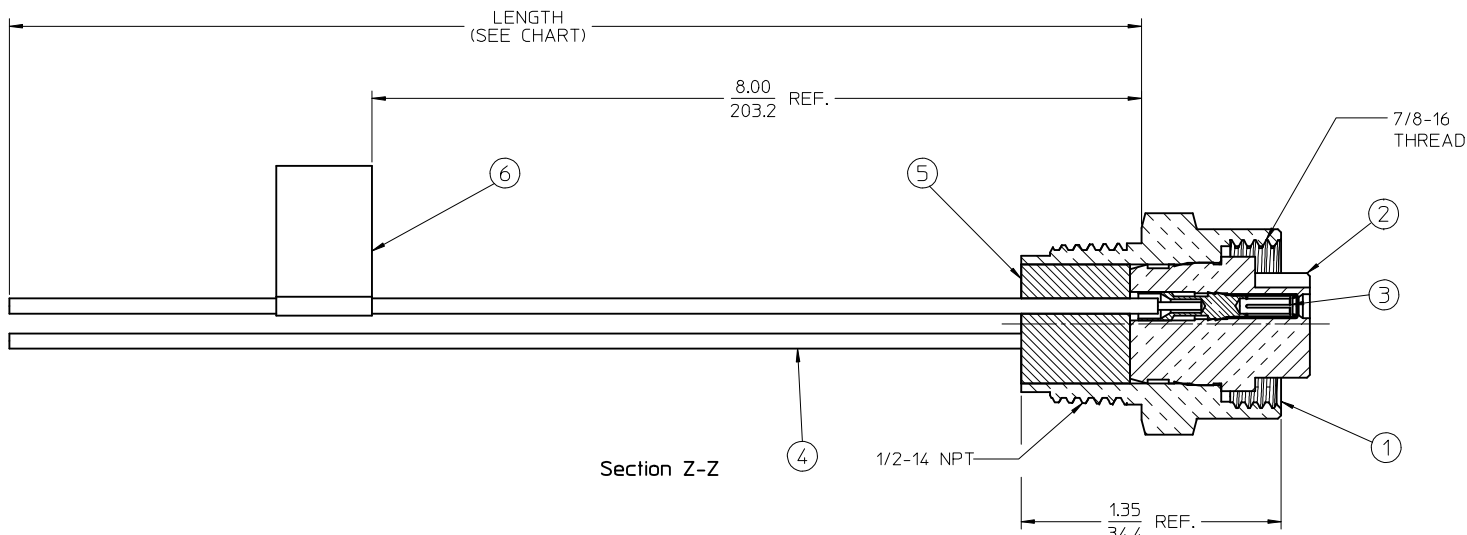
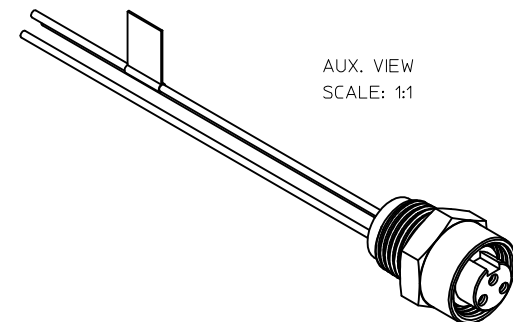
PART NO. LEGEND ©

1R3000A20M005

WIRE TYPE: 16 AWG PVC

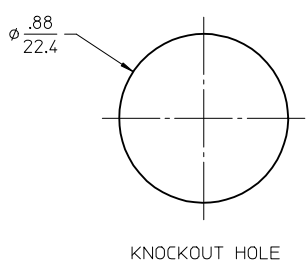
FINISHED LENGTH  
M005= 0.5 METER  
M010= 1 METER  
M100= 10 METERS

AUX. VIEW  
SCALE: 1:1



WIRE DIAGRAM

- NOTES:
1. MATERIAL: SEE TABLE
  2. FINISHES: SEE TABLE
  3. MATES WITH: 3C MINI CHANGE CABLE
  4. ELECTRICAL SPECIFICATIONS:
    - VOLTAGE RATING: 400V PER IEC 60664 ©
    - 600V PER UL 2238
    - CURRENT RATING: 13.0 AMPS
  5. PROTECTION: IP67 (WHEN MATED) ©



KNOCKOUT HOLE

| ITEM | QTY. | DESCRIPTION                   | MATERIAL           | FINISH           |
|------|------|-------------------------------|--------------------|------------------|
| 6    | 1    | LABEL                         | VINYL              | BLACK/YELLOW     |
| 5    | 1    | POTTING MATERIAL              | EPOXY              |                  |
| 4    | 3    | WIRE, 16 AWG                  | PVC INSULATION     | SEE WIRE DIAGRAM |
| 3    | 3    | CONTACT SOCKET & SLEEVE ASSY. | Cu ALLOY/ST. STEEL | GOLD PLATED      |
| 2    | 1    | INSERT                        | PVC                | YELLOW           |
| 1    | 1    | RECEPTACLE SHELL              | ZINC DIECAST       | NICKEL PLATED    |

|  |                          |
|--|--------------------------|
| REV. ELECT. SPECS. NOTE 5<br>ADD P/N LEGEND<br>EC NO: IPG2017-0392<br>2016/10/18<br>DRWINRSTONE<br>2016/10/27<br>CHKDK COX<br>2016/11/23<br>APPR: BWOODMAN | DESCRIPTION              |
|  | QUALITY SYMBOLS          |
|  | $\nabla=0$<br>$\nabla=0$ |
|  |                          |

|  |        |
|--|--------|
| GENERAL TOLERANCES (UNLESS SPECIFIED)                |        |
| mm   | INCH   |
| 4 PLACES ± .13                                       | ± .005 |
| 3 PLACES ± .005                                      | ± .01  |
| 2 PLACES ± 0.13                                      | ± .020 |
| 1 PLACE ± 0.3  | ± .020 |
| ANGULAR ± 1/2°                                       |        |
| DRAFT WHERE APPLICABLE MUST REMAIN WITHIN DIMENSIONS |        |

|                 |            |
|-----------------|------------|
| DIMENSION STYLE |            |
| IN/MM           |            |
| DRAWN BY        | DATE       |
| R. STONE        | 2009/08/25 |
| CHECKED BY      | DATE       |
| B. WOODMAN      | 2009/08/27 |
| APPROVED BY     | DATE       |
| JFMURPHY        | 2009/08/26 |
| MATERIAL NO.    |            |
| -               |            |

|   |              |                        |
|---|--------------|------------------------|
| SCALE   | DESIGN UNITS | THIRD ANGLE PROJECTION |
| 2:1   | INCH         |                        |
| TITLE   |              |                        |
| MINI-CHANGE, RECEPTACLE 3P, FEMALE, 16 AWG  |              |                        |
| MOLEX MOLEX INCORPORATED  |              |                        |
| DOCUMENT NO.  | SHEET NO.    |                        |
| SD-130013-085   | 1 OF 1       |                        |
| THIS DRAWING CONTAINS INFORMATION THAT IS PROPRIETARY TO MOLEX INCORPORATED AND SHOULD NOT BE USED WITHOUT WRITTEN PERMISSION |              |                        |