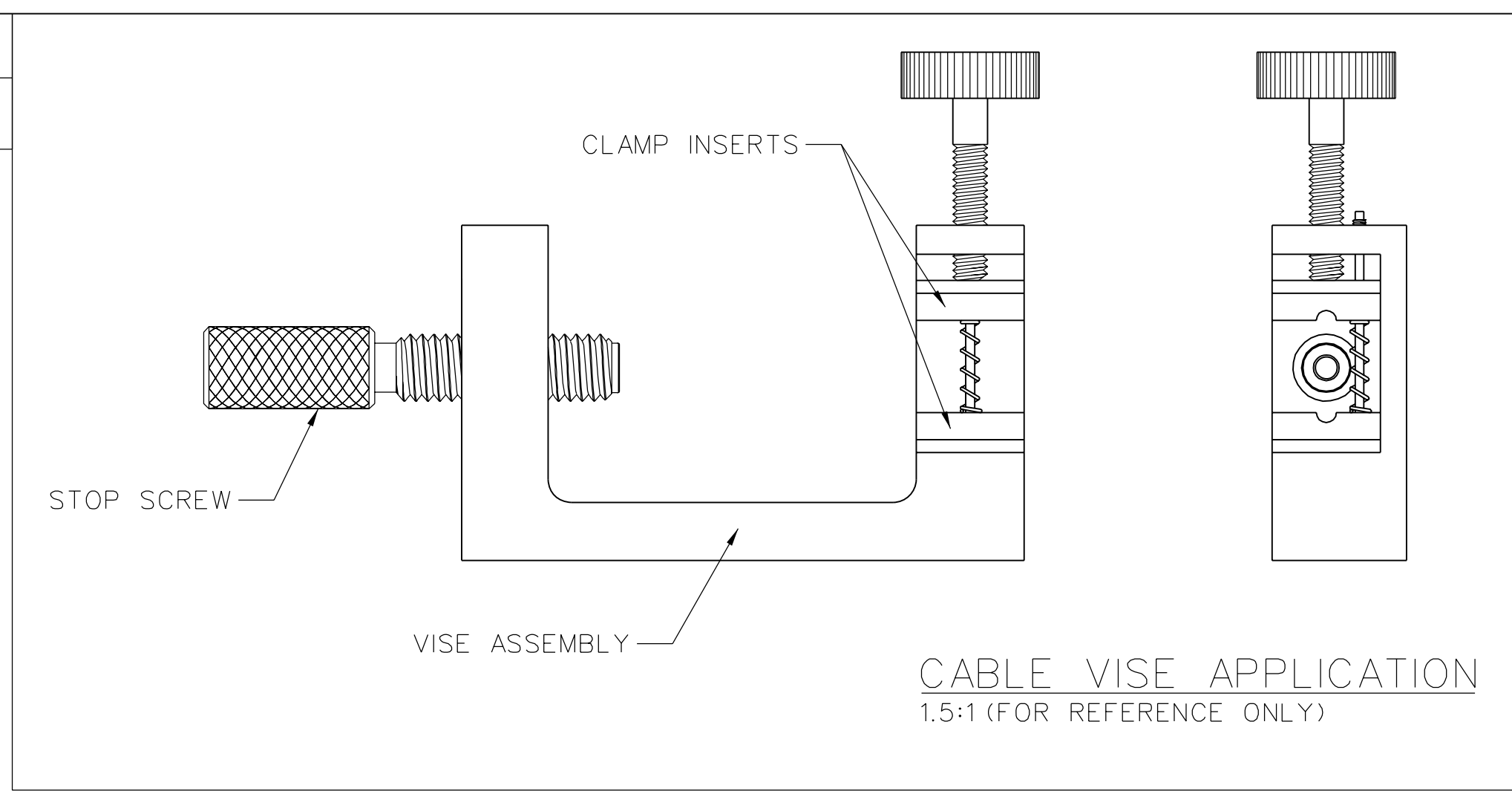
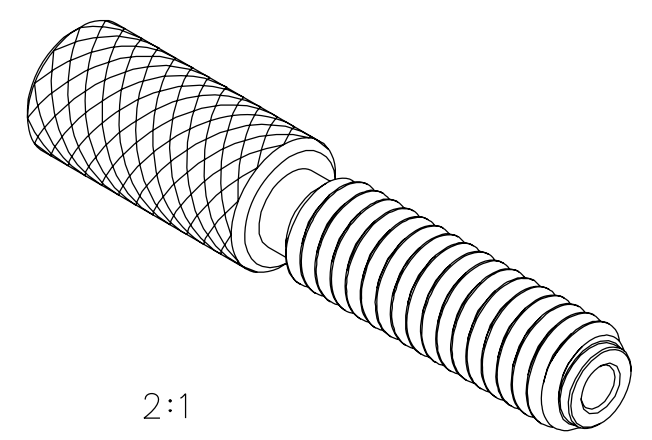
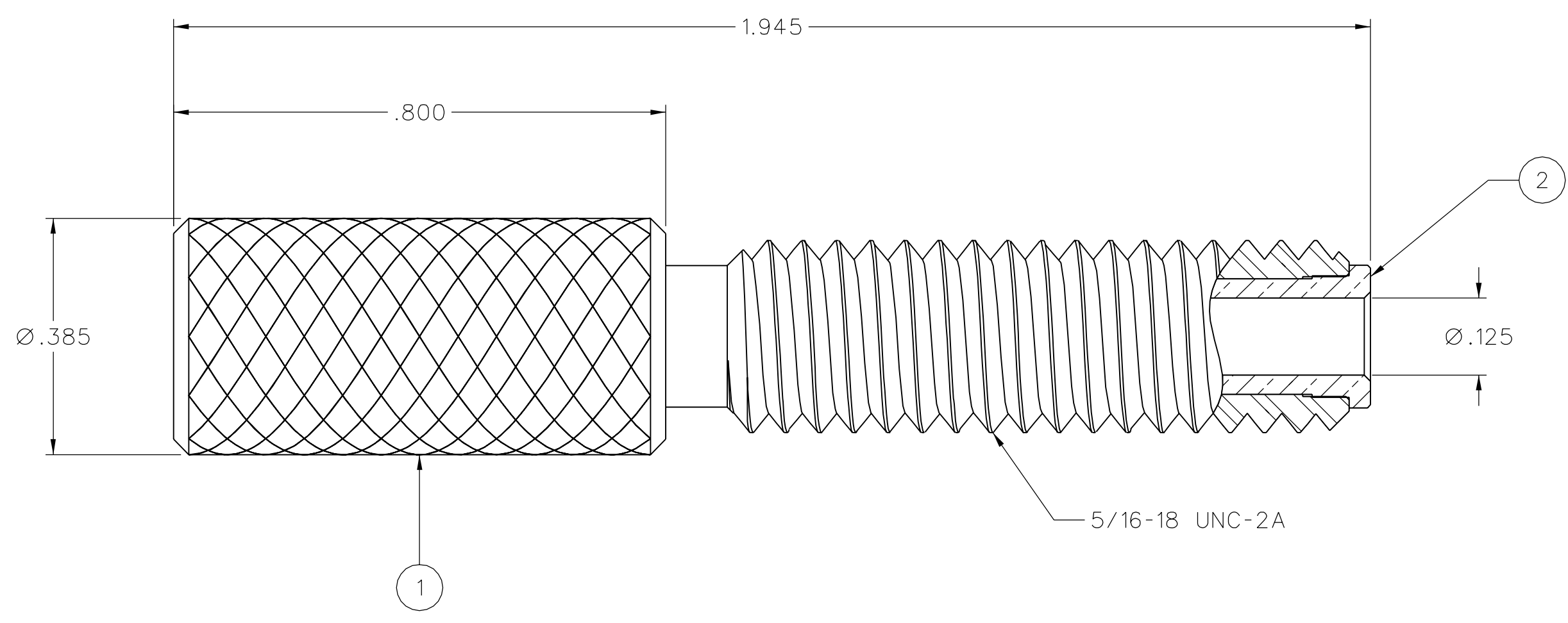


PART NUMBER	ITEM ① HANDLE	ITEM ② BUSHING	APPLICATION CABLE CLAMPING VISE
140-0000-972	STAINLESS STEEL PASSIVATED	BRASS NICKEL PL .0001 MIN OVER COPPER PL .00005 MIN	140-0000-962



DRAWING NO. C-140-0000-972					
0 REVISIONS					
ENGINEERING RELEASE					
1	5-3-06	P A T	J R K	M J U	7-20-06 ECN 50426



NOTES:


1. THIS STOP SCREW IS TO BE USED IN CONJUNCTION WITH THE SEMI-RIGID CABLE SOLDERING VISE, AS SHOWN IN THE APPLICATION DETAIL. REFER TO THE APPROPRIATE CONNECTOR ASSEMBLY INSTRUCTIONS FOR PROPER USAGE.

CUSTOMER DRAWING

THIS DRAWING TO BE INTERPRETED
PER ASME Y 14.5M - 1994

"μSTATION"

COMPANY CONFIDENTIAL

TOLERANCE UNLESS OTHERWISE SPECIFIED		DRAWN BY	DATE	 Cinch CONNECTIVITY SOLUTIONS a bel group	Cinch Connectivity Solutions	
DECIMALS	mm	JRK	1-9-06		P.O. Box 1732 Waseca, MN 56093 1-800-247-8256	
.XX	—	CHECKED BY	DATE	TITLE		
.XXX	REF	PDW	7-19-06	TYPE N BULKHEAD JACK CABLE SOLDERING VISE STOP SCREW		
MATL		APPROVED BY	DATE	SHEET		
		JRK/MJU	7-19-06	DRAWING NO.		
FINISH		RELEASE DATE	7-20-06	C-140-0000-972		
		U/M	INCH	SCALE	5:1	SHEET
						2 OF 2