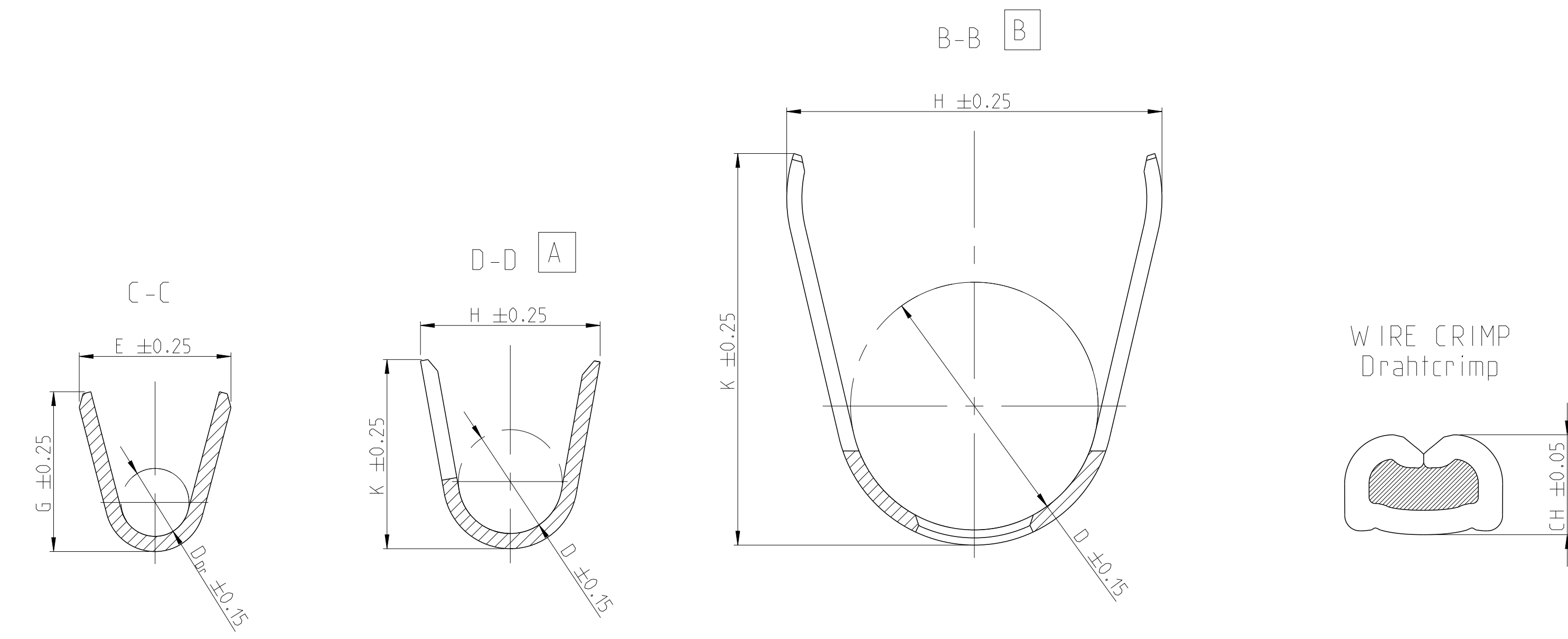
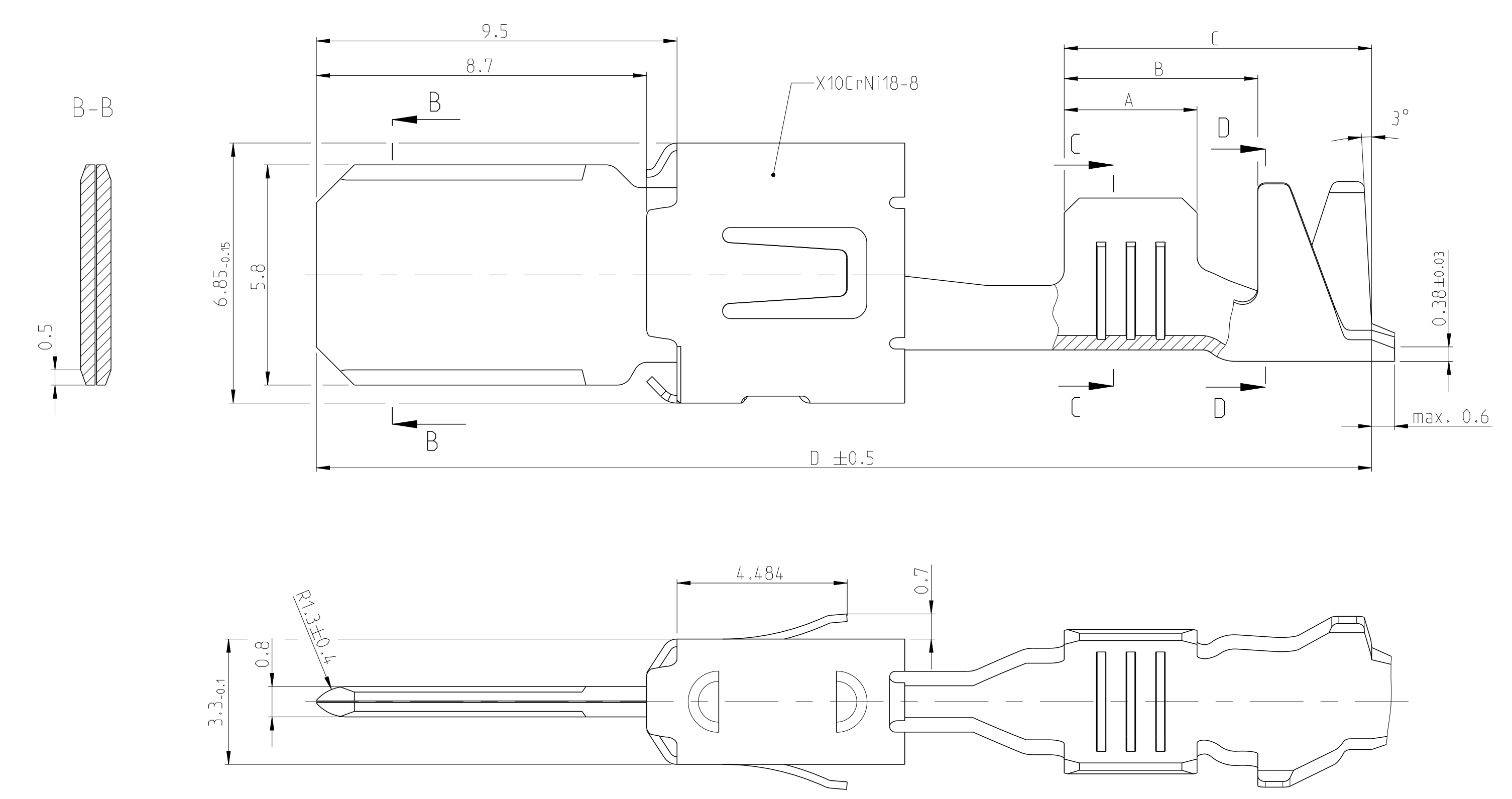


NOTES  
 Bemerkungen  
 CONTACT AREA PRE SILVER MIN. 3µm  
 OTHER AREA PRE SILVER MIN. 1µm  
 SPRING BLANK  
 Kontaktzone vorversilbert min. 3µm  
 uebriger Bereich vorversilbert min. 1µm  
 Ueberfeder blank  
 PRE TIN MIN. 1µm  
 SPRING BLANK  
 Vorverzinkt min. 1µm  
 Ueberfeder blank

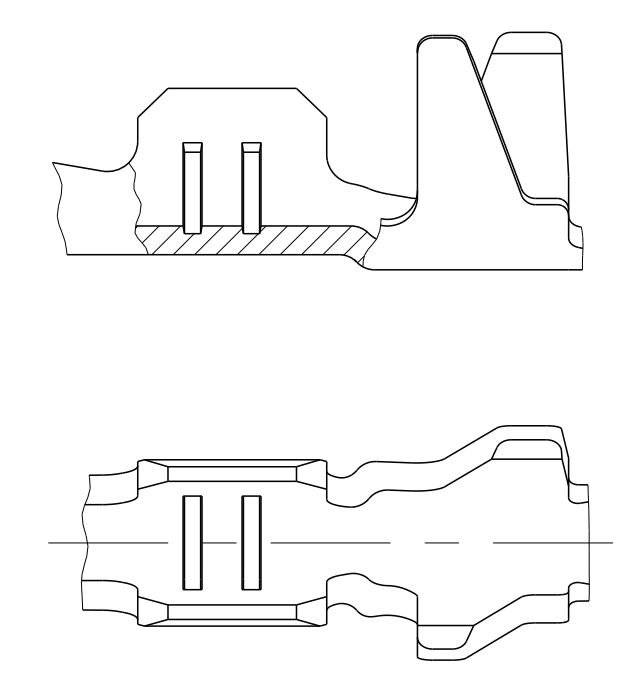


FLR-/FLK-WIRE  
 FLR-/FLK-Leitung

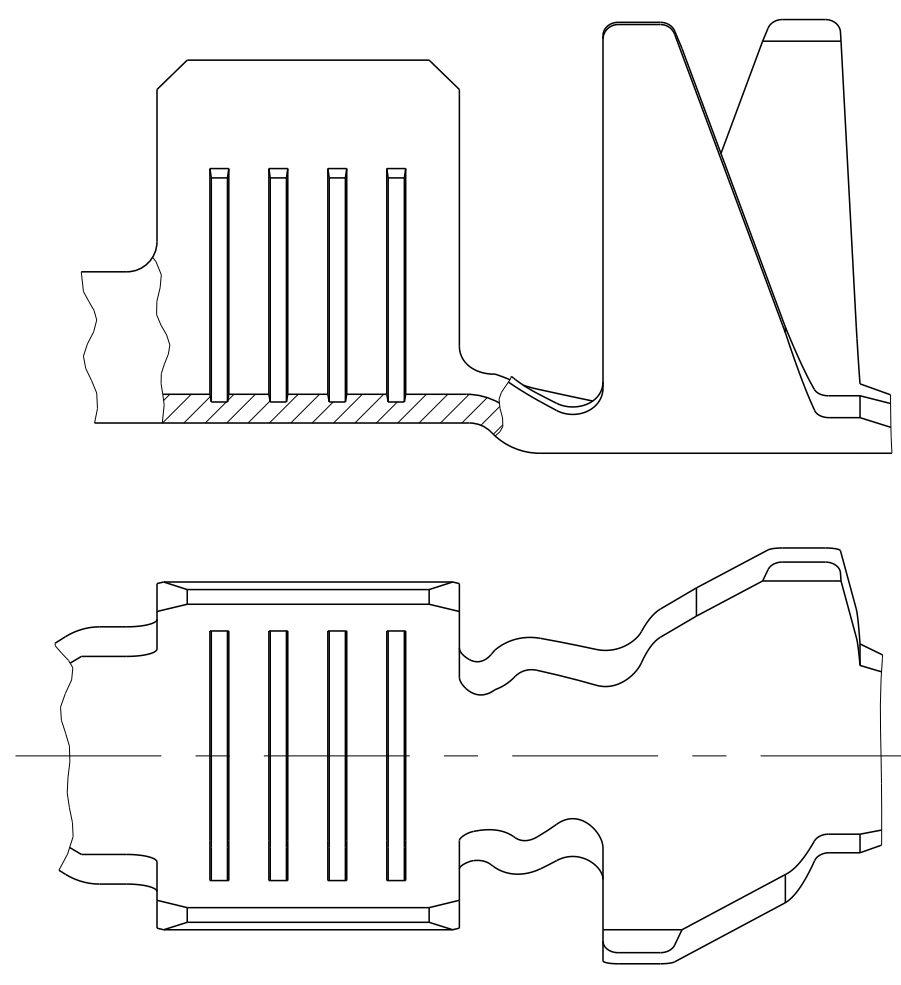
DESIGN 1  
 Ausfuehrung 1



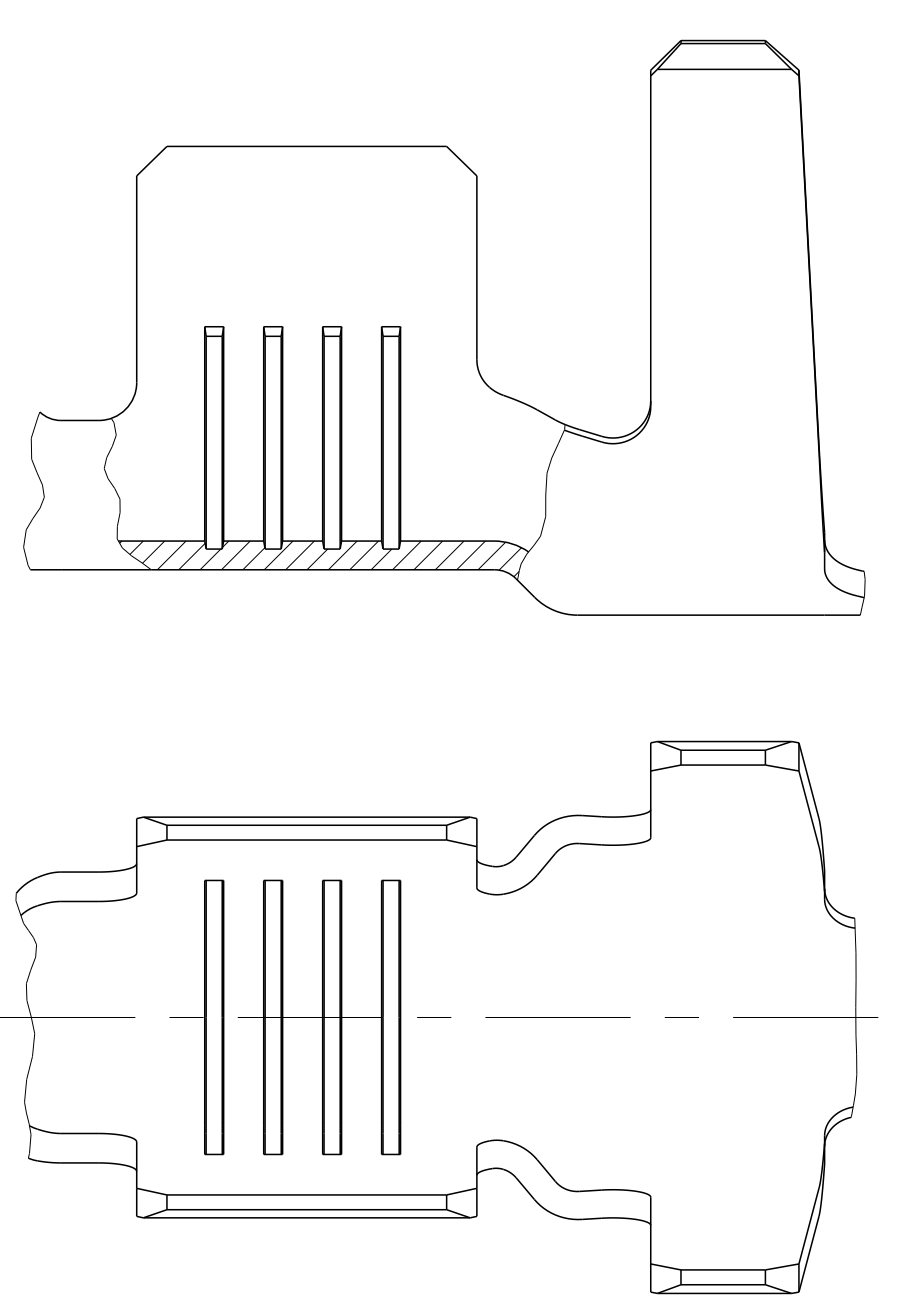
DESIGN 2  
 Ausfuehrung 2



DESIGN 3  
 Ausfuehrung 3

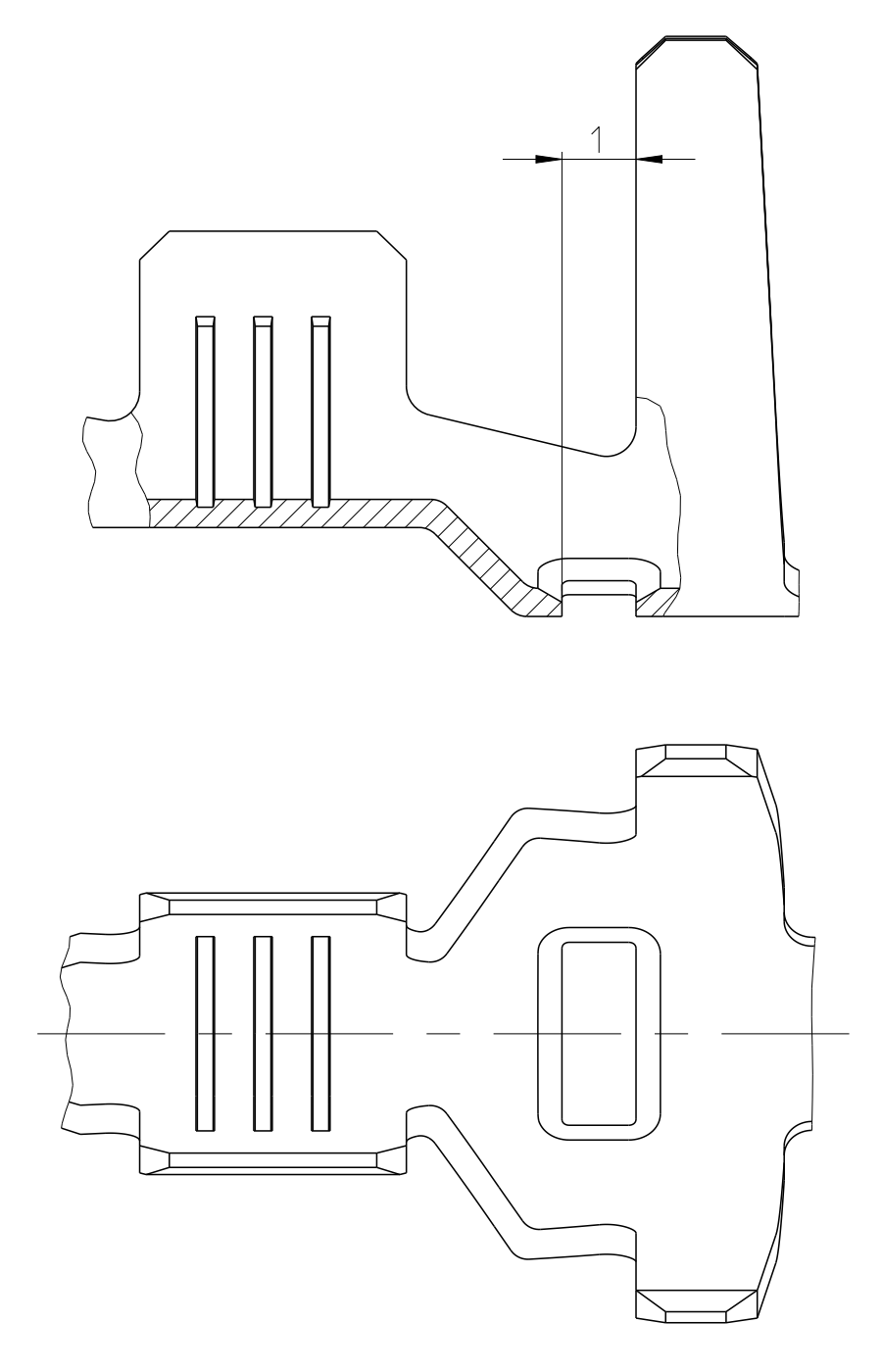


DESIGN 4  
 Ausfuehrung 4

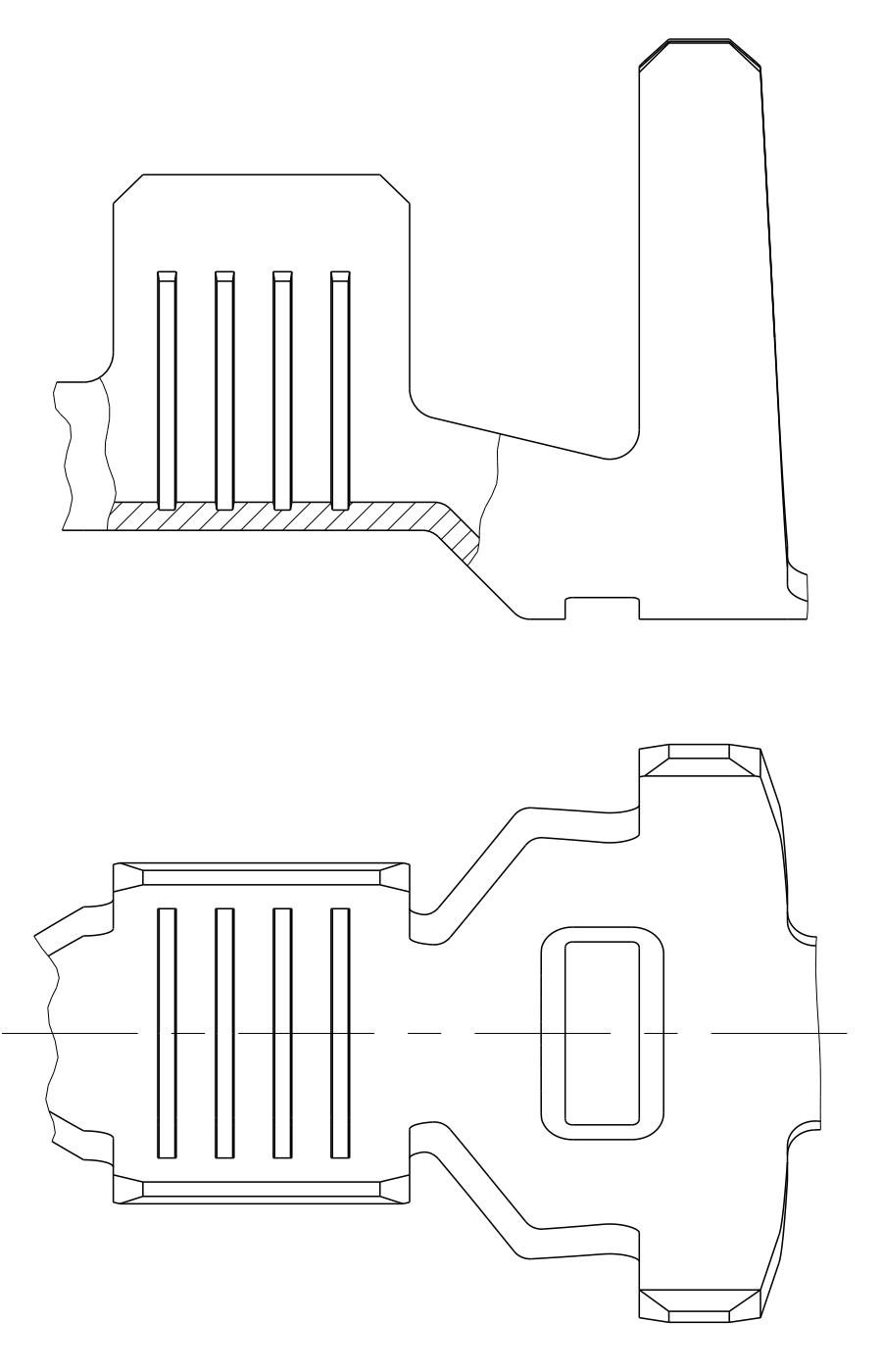


SINGLE WIRE SEAL  
 Einzeldichtungssystem

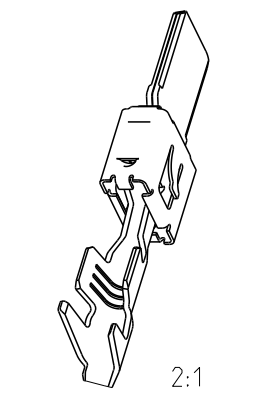
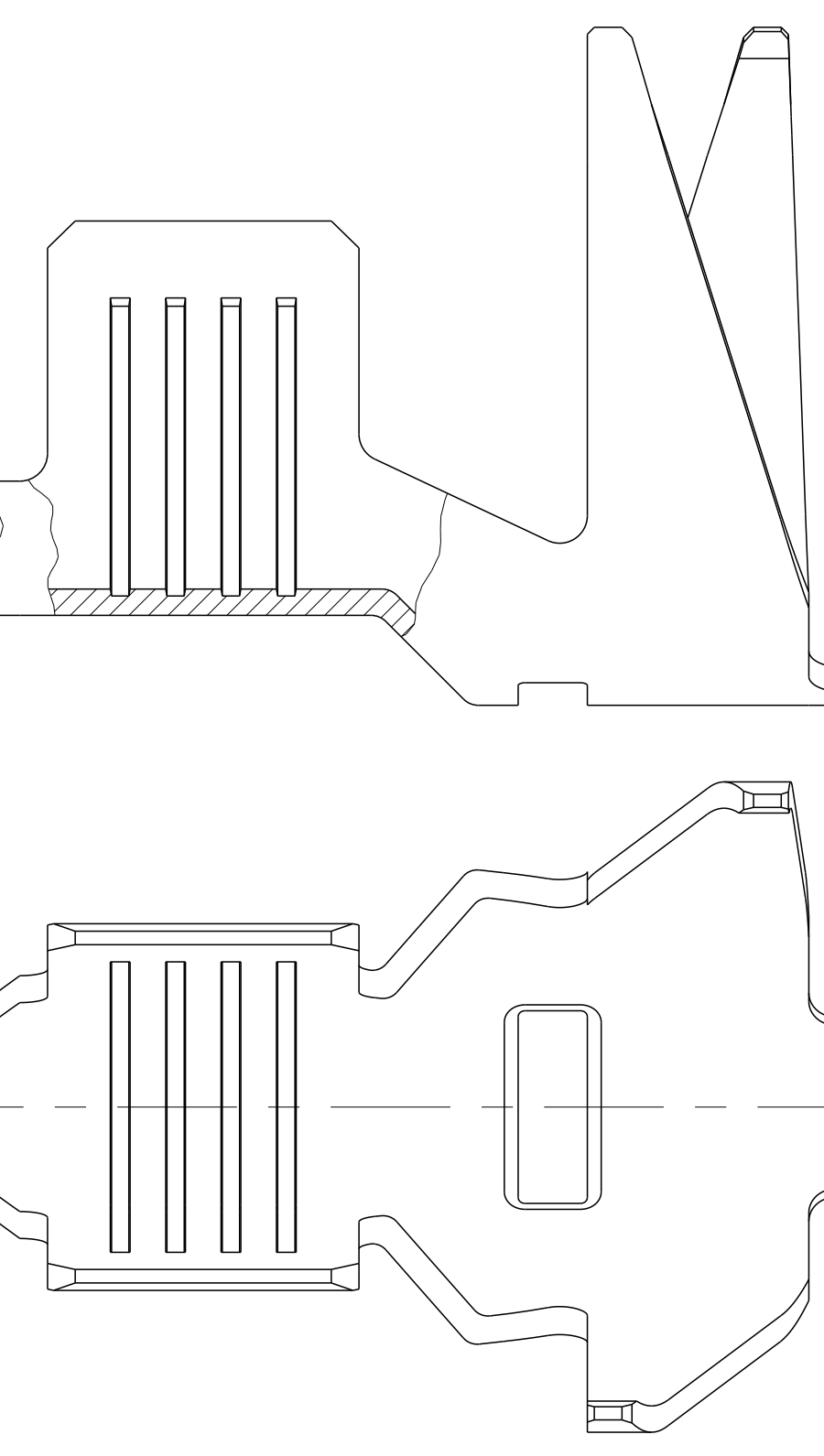
DESIGN 5  
 Ausfuehrung 5



DESIGN 6  
 Ausfuehrung 6



DESIGN 7  
 Ausfuehrung 7



TE ORDER-NO. STRIP FORM TE Bestellnr. Bandware	REV.	DESIGN Ausfuehrung	MATERIAL Werkstoff	SURFACE Oberflaeche	DGB mm²	WIRE CRIMP Drahtcrimp	INSUL. CRIMP Isolationscrimp	WIRE CRIMP HEIGHT CH Drahtcrimphoehe CH	APPLICATION TOOL (MQC APPLICATOR HD) Anschlagwerkzeug	EXTRACTION TOOL Ausdrueckwerkzeug No. 726548-1	CRIMP DIMENSIONS mm Crimpabmessungen mm			
											A	B	C	D
SINGLE WIRE SEAL / Einzeldichtungssystem	2-2112966-2	A	7	CuFe2	△	6.0 AWG 10	E = 5.3 G = 5.7 D <sub>Dr</sub> = 2.9	B H = 9.4 K = 9.8 D = 6.2	6.0 mm² = 2.35 AWG 10 = 2.30	1855636-6	4.5	7.8	11.0	29.3
	2-962919-2	E	6	CuFe2	△	4.0	E = 4.6 G = 4.8 D <sub>Dr</sub> = 2.3	A H = 7.8 K = 7.8 D = 5.5	4.0 mm² = 2.34	2-878567-2	4.0	7.1	9.1	28.3
	1-962919-2	D		CuSn4	△		E = 4.6 G = 4.8 D <sub>Dr</sub> = 2.3	A H = 7.8 K = 7.8 D = 5.5	4.0 mm² = 2.34	539757-2				
	1-962919-1	D		CuSn4	△		E = 4.6 G = 4.8 D <sub>Dr</sub> = 2.3	A H = 7.8 K = 7.8 D = 5.5	4.0 mm² = 2.34	539757-2				
	2-962918-2	E	5	CuFe2	△	×1.0 - 2.5	E = 3.8 G = 4.0 D <sub>Dr</sub> = 1.7	A H = 7.8 K = 7.8 D = 5.5	2.5 mm² = 1.97 2.0 mm² = 1.83 1.5 mm² = 1.69	2-878566-2	3.6	6.7	8.7	28.3
	2-962918-1	E		CuFe2	△		E = 3.8 G = 4.0 D <sub>Dr</sub> = 1.7	A H = 7.8 K = 7.8 D = 5.5	2.5 mm² = 1.97 2.0 mm² = 1.83 1.5 mm² = 1.69	2-878566-2				
	1-962918-2	D		CuSn4	△		E = 3.8 G = 4.0 D <sub>Dr</sub> = 1.7	A H = 7.8 K = 7.8 D = 5.5	2.5 mm² = 1.97 2.0 mm² = 1.83 1.5 mm² = 1.69	539757-2				
	1-962918-1	D		CuSn4	△		E = 3.8 G = 4.0 D <sub>Dr</sub> = 1.7	A H = 7.8 K = 7.8 D = 5.5	2.5 mm² = 1.97 2.0 mm² = 1.83 1.5 mm² = 1.69	539757-2				
	2-962917-1	E	5	CuFe2	△	0.5 - 1.0	E = 2.8 G = 3.0 D <sub>Dr</sub> = 1.1	A H = 7.8 K = 7.8 D = 5.5	1.0 mm² = 1.56 0.75 mm² = 1.47 0.5 mm² = 1.38	2-878565-2	3.0	6.1	8.1	28.3
	1-962917-2	D		CuSn4	△		E = 2.8 G = 3.0 D <sub>Dr</sub> = 1.1	A H = 7.8 K = 7.8 D = 5.5	1.0 mm² = 1.56 0.75 mm² = 1.47 0.5 mm² = 1.38	539757-2				
	1-962917-1	D		CuSn4	△		E = 2.8 G = 3.0 D <sub>Dr</sub> = 1.1	A H = 7.8 K = 7.8 D = 5.5	1.0 mm² = 1.56 0.75 mm² = 1.47 0.5 mm² = 1.38	539757-2				
	FLK-WIRE / FLK-Leitung	2-968050-1	A	4	CuFe2	△	6.0	E = 5.3 G = 5.6 D <sub>Dr</sub> = 2.9	A H = 7.3 K = 7.6 D = 4.6	6.0 mm² = 2.55 4.0 mm² = 2.17	2-878968-2	4.5	6.8	9.1
1-968050-1		A	CuSn4		△	E = 5.3 G = 5.6 D <sub>Dr</sub> = 2.9		A H = 7.3 K = 7.6 D = 4.6	6.0 mm² = 2.55 4.0 mm² = 2.17	2-878968-2				
2-962846-1		D	3	CuFe2	△	4.0	E = 4.6 G = 4.8 D <sub>Dr</sub> = 2.4	A H = 6.7 K = 7.0 D = 4.0	4.0 mm² = 2.33	2-878564-2	4.0	6.0	10.8	30.5
1-962846-2		C		CuSn4	△		E = 4.6 G = 4.8 D <sub>Dr</sub> = 2.4	A H = 6.7 K = 7.0 D = 4.0	4.0 mm² = 2.33	539759-2				
1-962846-1		C		CuSn4	△		E = 4.6 G = 4.8 D <sub>Dr</sub> = 2.4	A H = 6.7 K = 7.0 D = 4.0	4.0 mm² = 2.33	539759-2				
1-962845-2		D	1	CuSn4	△	×1.0 - 2.5	E = 3.8 G = 4.0 D <sub>Dr</sub> = 1.7	H = 5.7 K = 5.9 D = 3.2	2.5 mm² = 1.97 2.0 mm² = 1.83 1.5 mm² = 1.69	2-878563-2	3.6	5.2	9.0	28.7
1-962845-1	D	CuSn4		△	E = 3.8 G = 4.0 D <sub>Dr</sub> = 1.7		H = 5.7 K = 5.9 D = 3.2	2.5 mm² = 1.97 2.0 mm² = 1.83 1.5 mm² = 1.69	539759-2					
FLR-WIRE / FLR-Leitung	2-963736-2	C	3	CuFe2	△	4.0	E = 4.6 G = 4.8 D <sub>Dr</sub> = 2.3	A H = 5.5 K = 5.7 D = 3.2	4.0 mm² = 2.33	2-878562-2	4.0	5.9	9.3	29.0
	2-963736-1	C		CuSn4	△		E = 4.6 G = 4.8 D <sub>Dr</sub> = 2.3	A H = 5.5 K = 5.7 D = 3.2	4.0 mm² = 2.33	-				
	1-963736-2	B		CuSn4	△		E = 4.6 G = 4.8 D <sub>Dr</sub> = 2.3	A H = 5.5 K = 5.7 D = 3.2	4.0 mm² = 2.33	-				
	1-963735-2	C	1	CuFe2	△	×1.0 - 2.5	E = 3.8 G = 4.0 D <sub>Dr</sub> = 1.7	A H = 4.5 K = 4.7 D = 2.6	2.5 mm² = 1.97 2.0 mm² = 1.83 1.5 mm² = 1.69	2-878561-2	3.5	5.1	8.1	27.8
	2-963735-1	C		CuSn4	△		E = 3.8 G = 4.0 D <sub>Dr</sub> = 1.7	A H = 4.5 K = 4.7 D = 2.6	2.5 mm² = 1.97 2.0 mm² = 1.83 1.5 mm² = 1.69	-				
	1-963735-2	B		CuSn4	△		E = 3.8 G = 4.0 D <sub>Dr</sub> = 1.7	A H = 4.5 K = 4.7 D = 2.6	2.5 mm² = 1.97 2.0 mm² = 1.83 1.5 mm² = 1.69	-				
	1-963735-1	B		CuSn4	△		E = 3.8 G = 4.0 D <sub>Dr</sub> = 1.7	A H = 4.5 K = 4.7 D = 2.6	2.5 mm² = 1.97 2.0 mm² = 1.83 1.5 mm² = 1.69	-				
	2-963734-2	C	1	CuFe2	△	0.5 - 1.0	E = 2.8 G = 3.0 D <sub>Dr</sub> = 1.1	A H = 3.3 K = 3.5 D = 1.8	1.0 mm² = 1.56 0.75 mm² = 1.47 0.5 mm² = 1.38	2-878654-2	3.0	4.6	6.8	26.5
	2-963734-1	C		CuSn4	△		E = 2.8 G = 3.0 D <sub>Dr</sub> = 1.1	A H = 3.3 K = 3.5 D = 1.8	1.0 mm² = 1.56 0.75 mm² = 1.47 0.5 mm² = 1.38	-				
	1-963734-2	B		CuSn4	△		E = 2.8 G = 3.0 D <sub>Dr</sub> = 1.1	A H = 3.3 K = 3.5 D = 1.8	1.0 mm² = 1.56 0.75 mm² = 1.47 0.5 mm² = 1.38	539759-2				
	1-963734-1	B		CuSn4	△		E = 2.8 G = 3.0 D <sub>Dr</sub> = 1.1	A H = 3.3 K = 3.5 D = 1.8	1.0 mm² = 1.56 0.75 mm² = 1.47 0.5 mm² = 1.38	539759-2				
	2-965984-1	A	2	CuFe2	△	0.2 - 0.5	E = 2.2 G = 2.2 D <sub>Dr</sub> = 0.8	A H = 3.1 K = 3.1 D = 1.4	-	-	2.5	3.7	5.7	26.5
1-965984-1	B	CuSn4		△	E = 2.2 G = 2.2 D <sub>Dr</sub> = 0.8		A H = 3.1 K = 3.1 D = 1.4	-	-					

THIS DRAWING IS A CONTROLLED DOCUMENT.		DATE: 11 JUL 2001	BY: T. Melechhofer	APPROVED: T. Melechhofer	SCALE: 10:1
DIMENSIONS:	UNLESS OTHERWISE SPECIFIED:	PRODUCT SPEC:	106-18064	APPLICATION SPEC:	114-18052
MATERIAL:	FINISH:	WEIGHT:	Customer Drawing	SCALE:	10:1
TE ORDER-NO. STRIP FORM TE Bestellnr. Bandware		REV. DESIGN Ausfuehrung		MATERIAL Werkstoff	
SURFACE Oberflaeche		DGB mm²		WIRE CRIMP Drahtcrimp	
INSUL. CRIMP Isolationscrimp		WIRE CRIMP HEIGHT CH Drahtcrimphoehe CH		APPLICATION TOOL (MQC APPLICATOR HD) Anschlagwerkzeug	
EXTRACTION TOOL Ausdrueckwerkzeug No. 726548-1		CRIMP DIMENSIONS mm Crimpabmessungen mm		A B C D	
STE		TE Connectivity		TAB 5.8 x 0.8 Flachstecker 5.8 x 0.8	
SITE: A0		CASE CODE: 00779		DRAWING NO: 1241895	
RESTRICTED TO:		SCALE: 10:1		SHEET 1 OF 1	