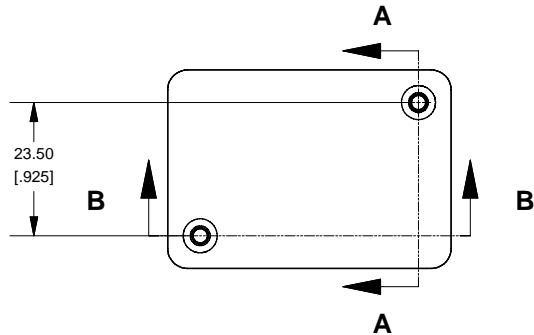
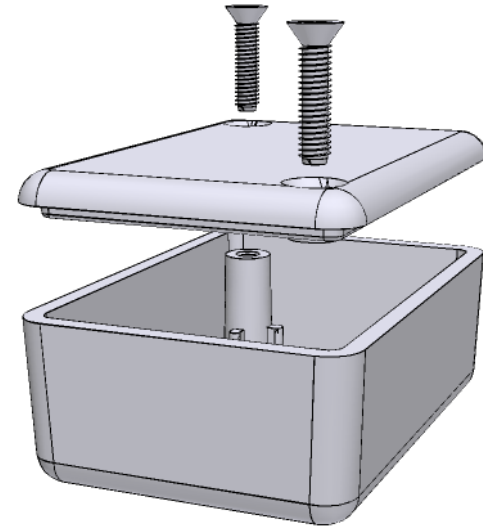
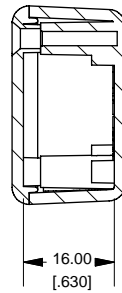


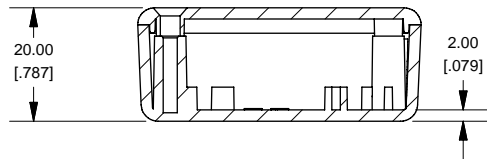
Top View of Assembly



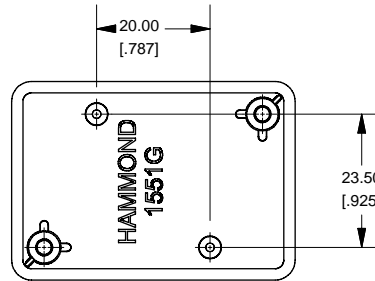
SECTION A-A End View of Assembly



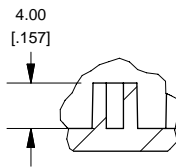
SECTION B-B Side View of Assembly



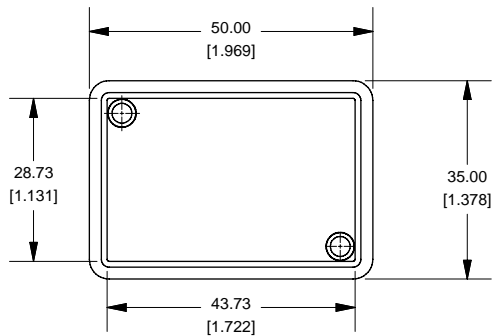
Top View Looking Inside Box



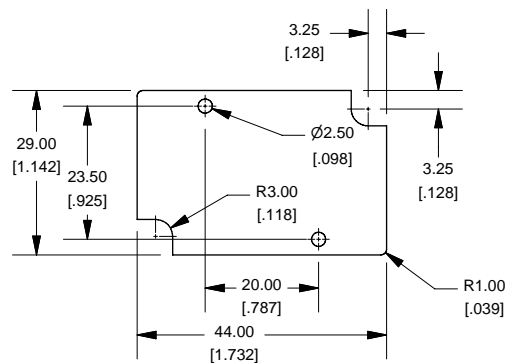
SECTION C-C Boss Heights



Lid



Maximum P.C. Board Size



NOTE
Purchased assembly includes lid and box made from GP ABS material and cover screws.

1551G	
1551G Enclosure	
Black Enclosure - RAL 9011 - UL94 - HB	1551GBK
Gray Enclosure - RAL 7035 - UL94 - HB	1551GGY
Translucent Blue - UL94 - HB	1551GTBU
ACCESSORIES	
Recommended Screw Torque: 15-20 oz.f.in (10-15 cN.m)	
Black Enclosure Cover Screws (Pkg 100) X 1/2" Self Tapping]	#4 1591TS100BK
Grey Enclosure Cover Screws (Pkg 100) X 1/2" Self Tapping]	#4 1591TS100
P.C. Board Screws (Pkg 100) [#2 x 3/16" Self Tapping]	1551ATS100

